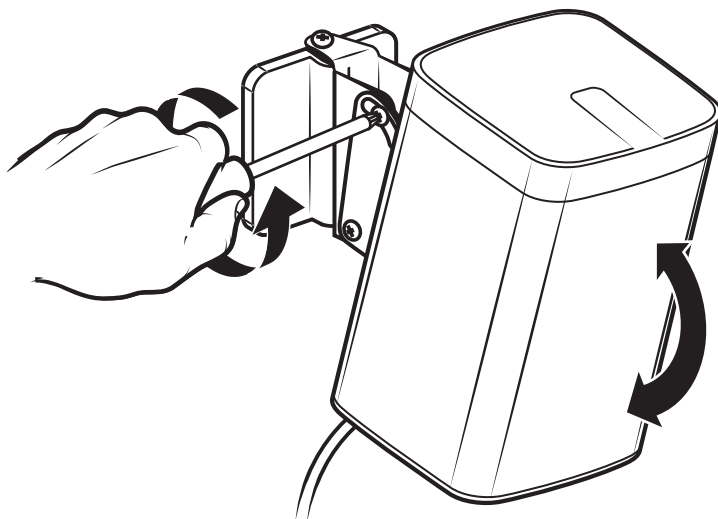
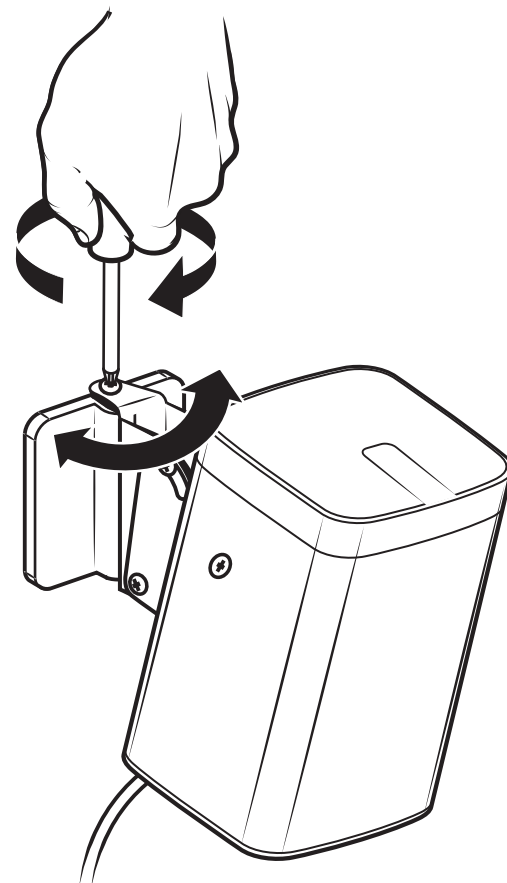


ADJUST TILT



ADJUST ROTATION

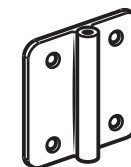


HUMANCENTRIC®

Model 101-2069

www.humancentric.com/patents

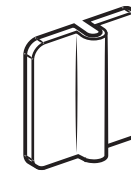
PARTS INCLUDED



A



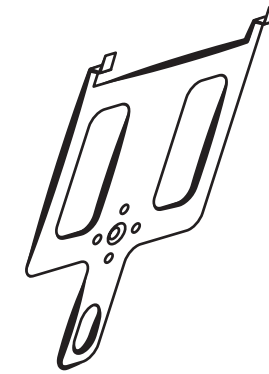
C



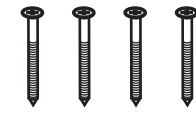
B



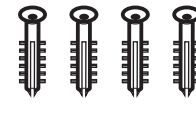
D



E



F(x4)



G(x4)

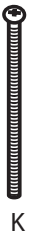


H(x4)



I

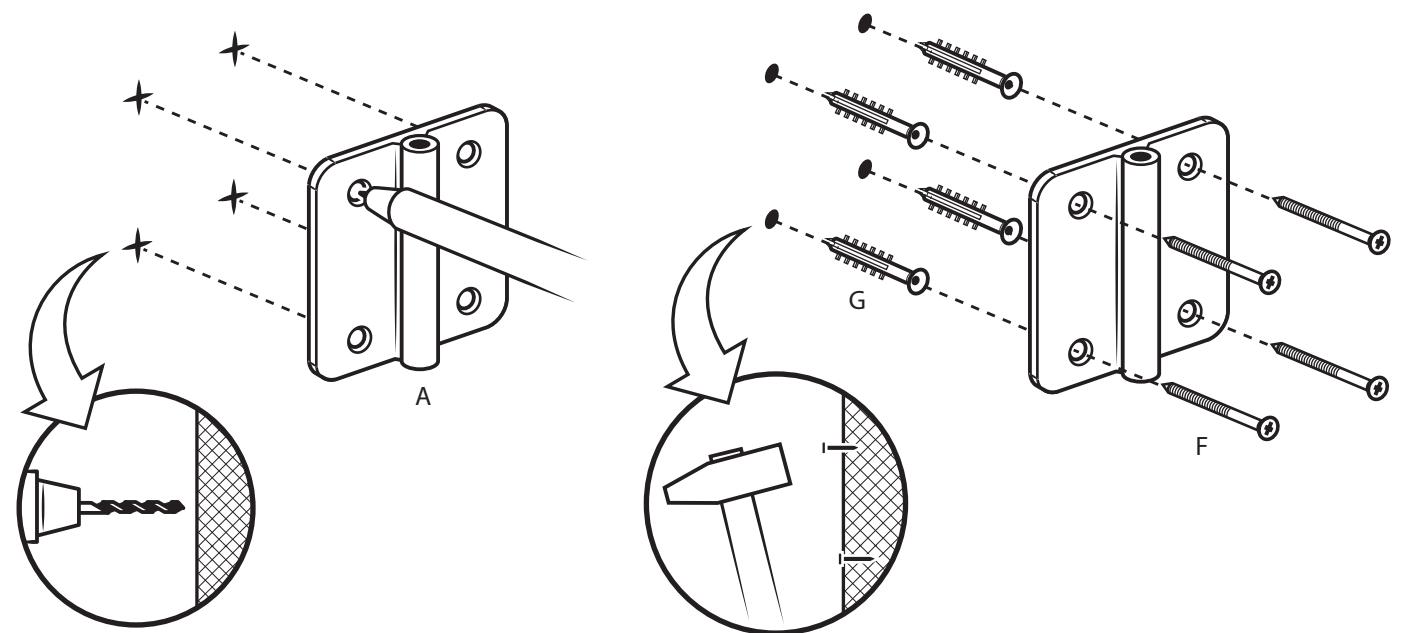
J



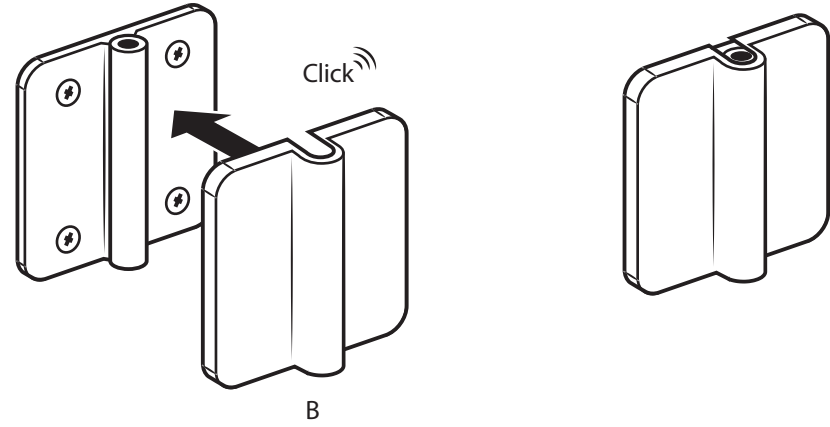
K

ADDITIONAL TOOLS REQUIRED

- Phillips Head Screwdriver
- Power Drill with 1/4 Inch Diameter Drill Bit
- Hammer

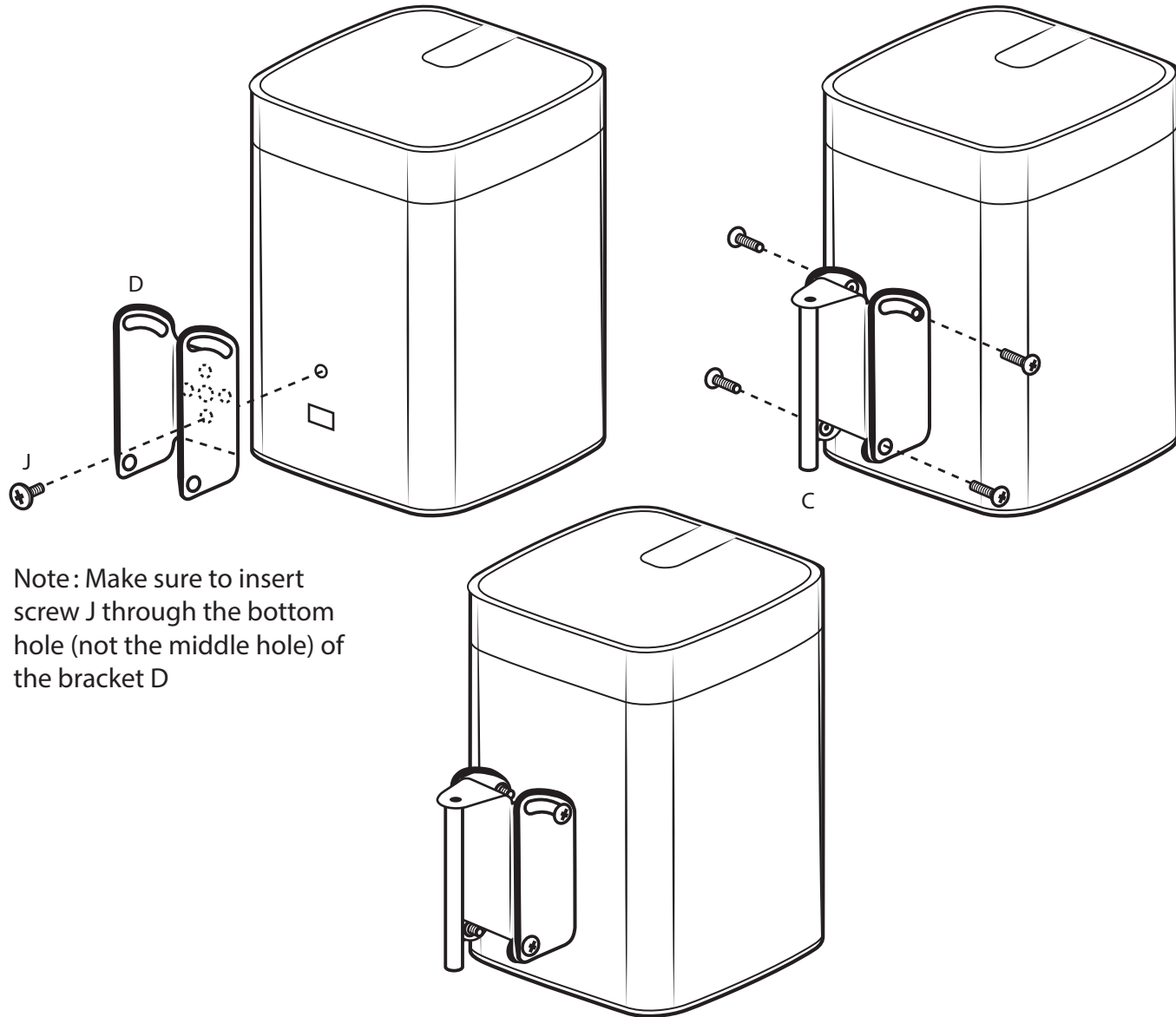


2



3A

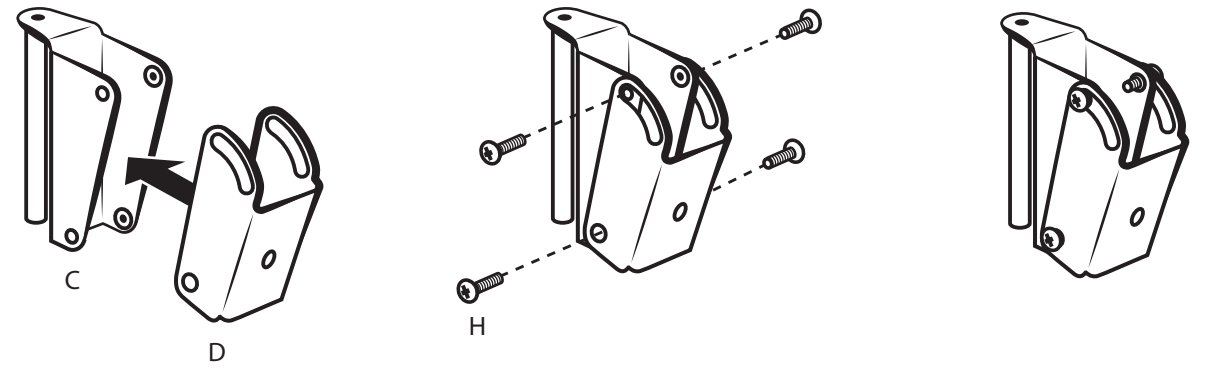
SONOS PLAY:1



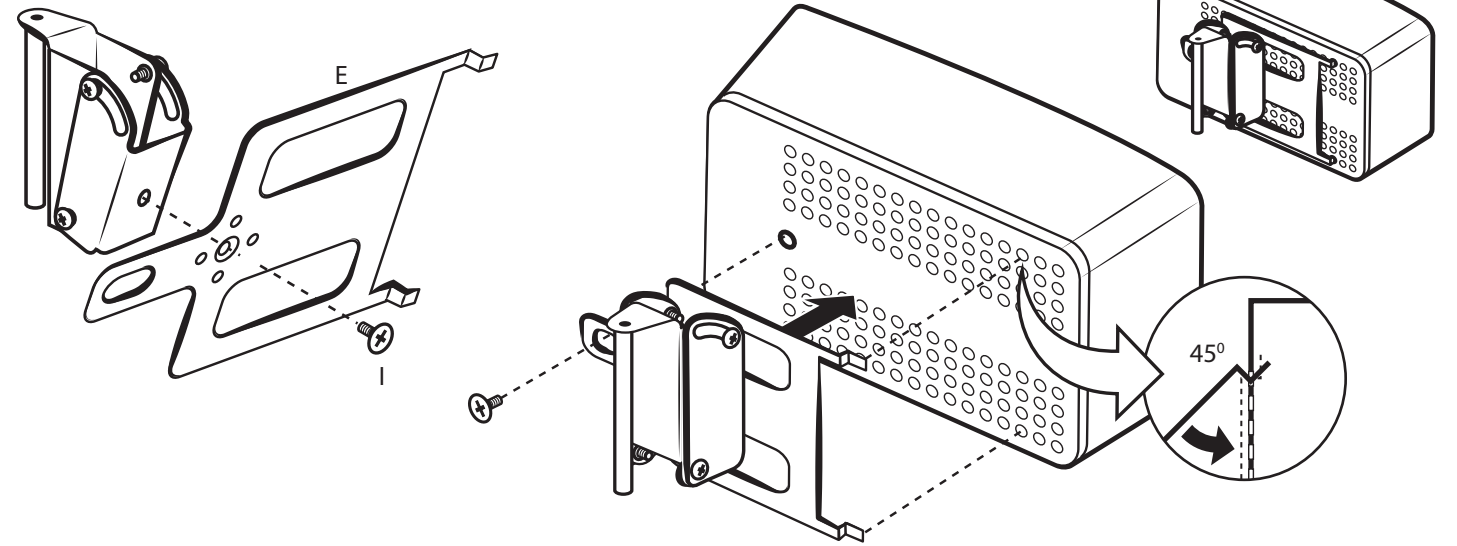
Note: Make sure to insert screw J through the bottom hole (not the middle hole) of the bracket D

3B

SONOS PLAY:3



HORIZONTAL ORIENTATION



VERTICAL ORIENTATION

