

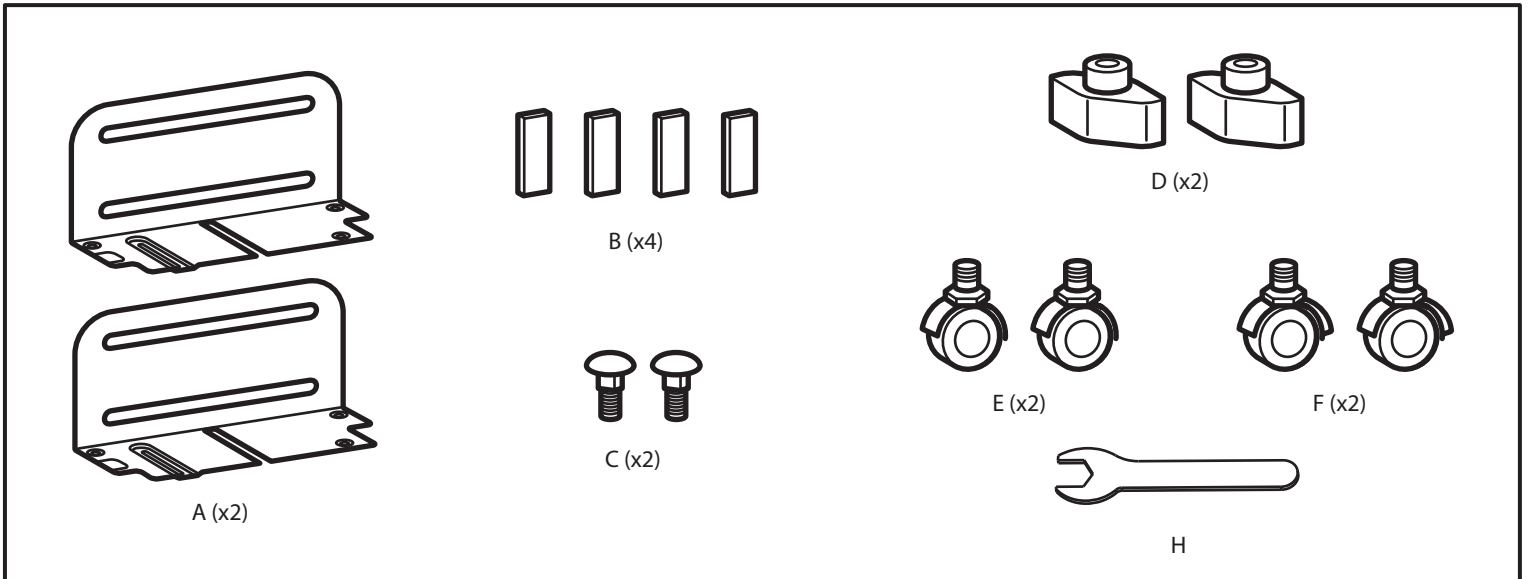
# HUMANCENTRIC<sup>®</sup>

## Computer Tower Stand

Model 101-2064

[www.humancentric.com/patents](http://www.humancentric.com/patents)

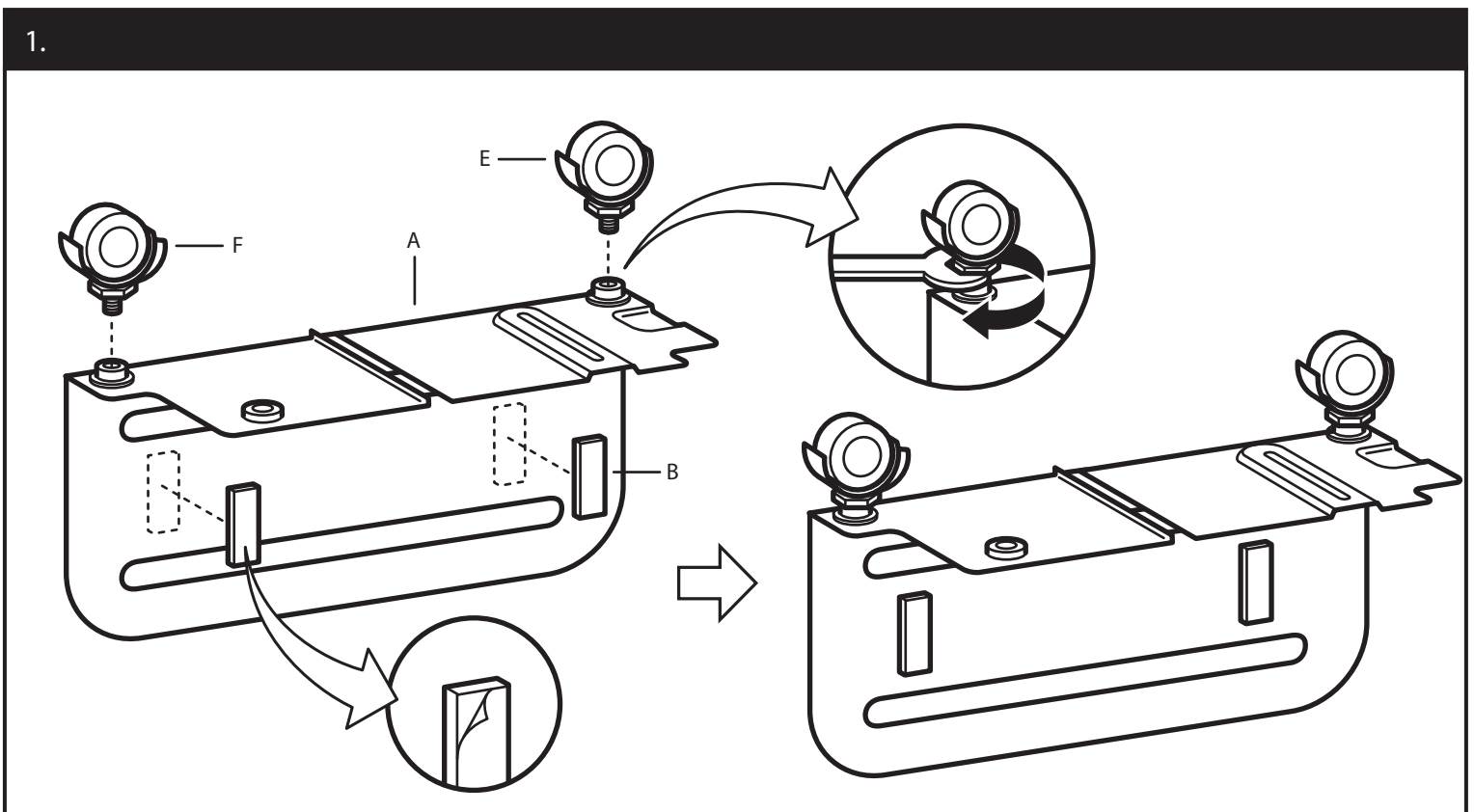
### PARTS INCLUDED



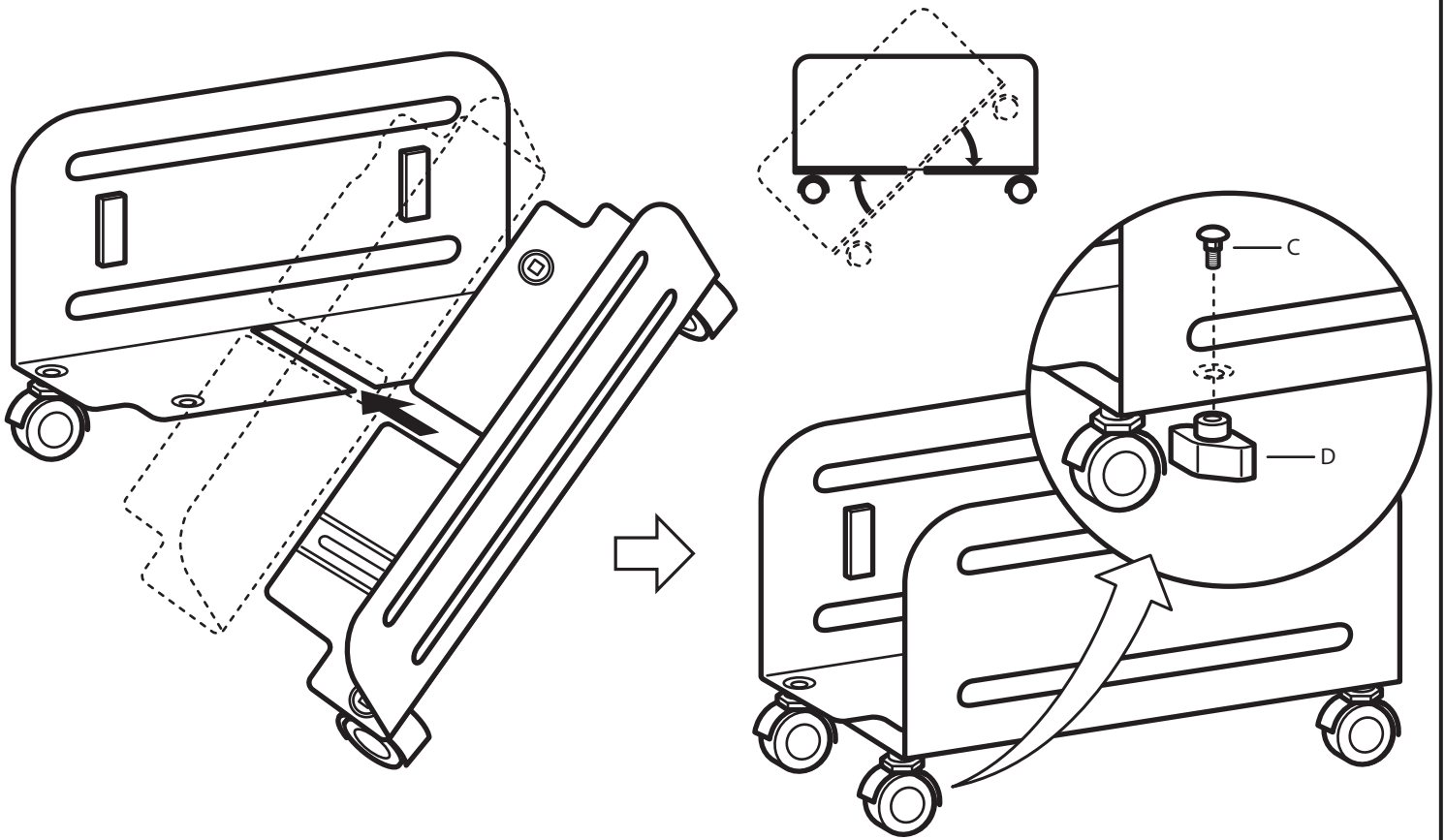
### SUPPORTED DIMENSIONS

Fit cases with a width from 4.5" - 8"

1.



2.



3.

