

Model 101-2047

Full product specifications: www.humancentric.com/101-2047

Need help? Contact support: support@humancentric.com



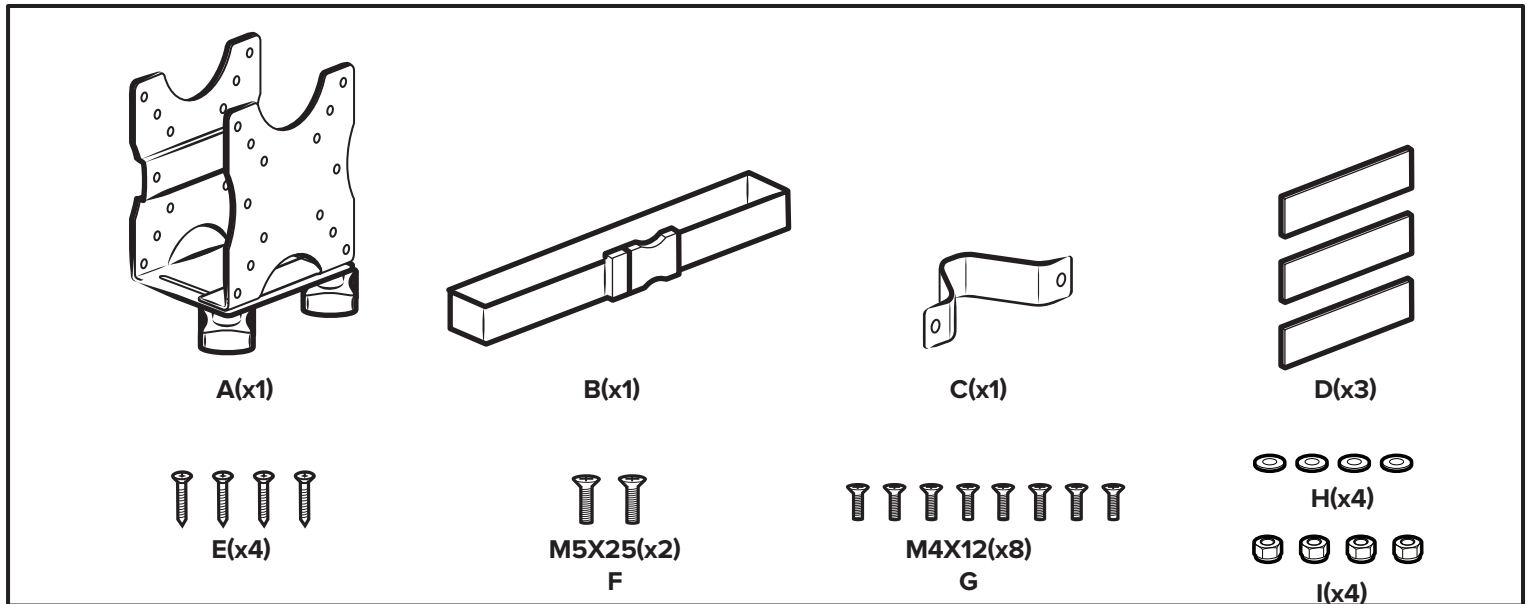
WARNING



To reduce the risk of injury to persons, read all important precautions and warnings listed below. HumanCentric assumes no responsibility for personal injury or property damage sustained by or through the use of this product:

1. Read all instructions carefully.
2. Incorrect installation may lead to damage or serious injury. Ensure the product is secured before use.
3. If using a VESA stand or VESA arm, ensure it can support the combined weight of the bracket, monitor, and any mounted devices.

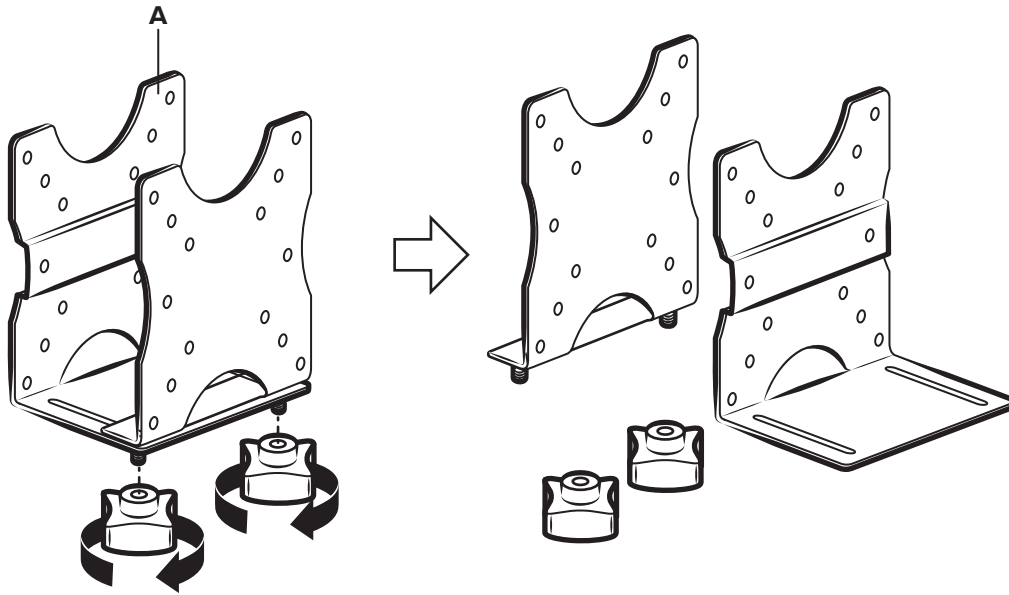
PARTS INCLUDED



ADDITIONAL TOOLS REQUIRED

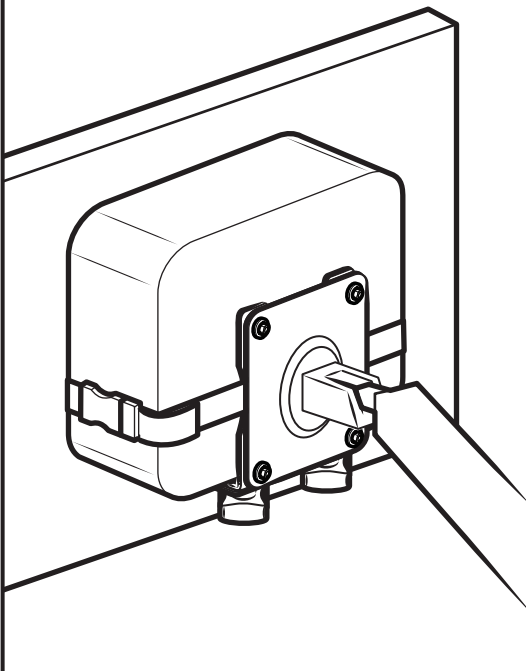
Phillips Head Screwdriver
Adjustable wrench

1. DISASSEMBLE MOUNT

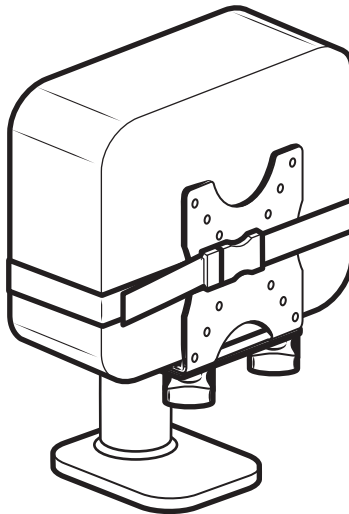


2. SELECT MOUNTING OPTION

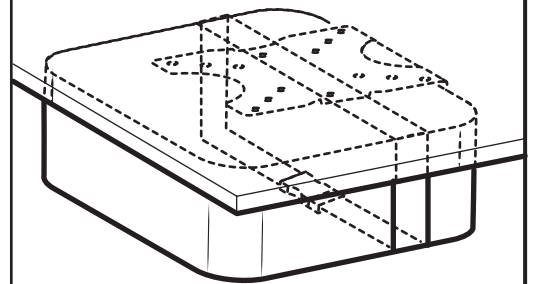
A. ARM MOUNT



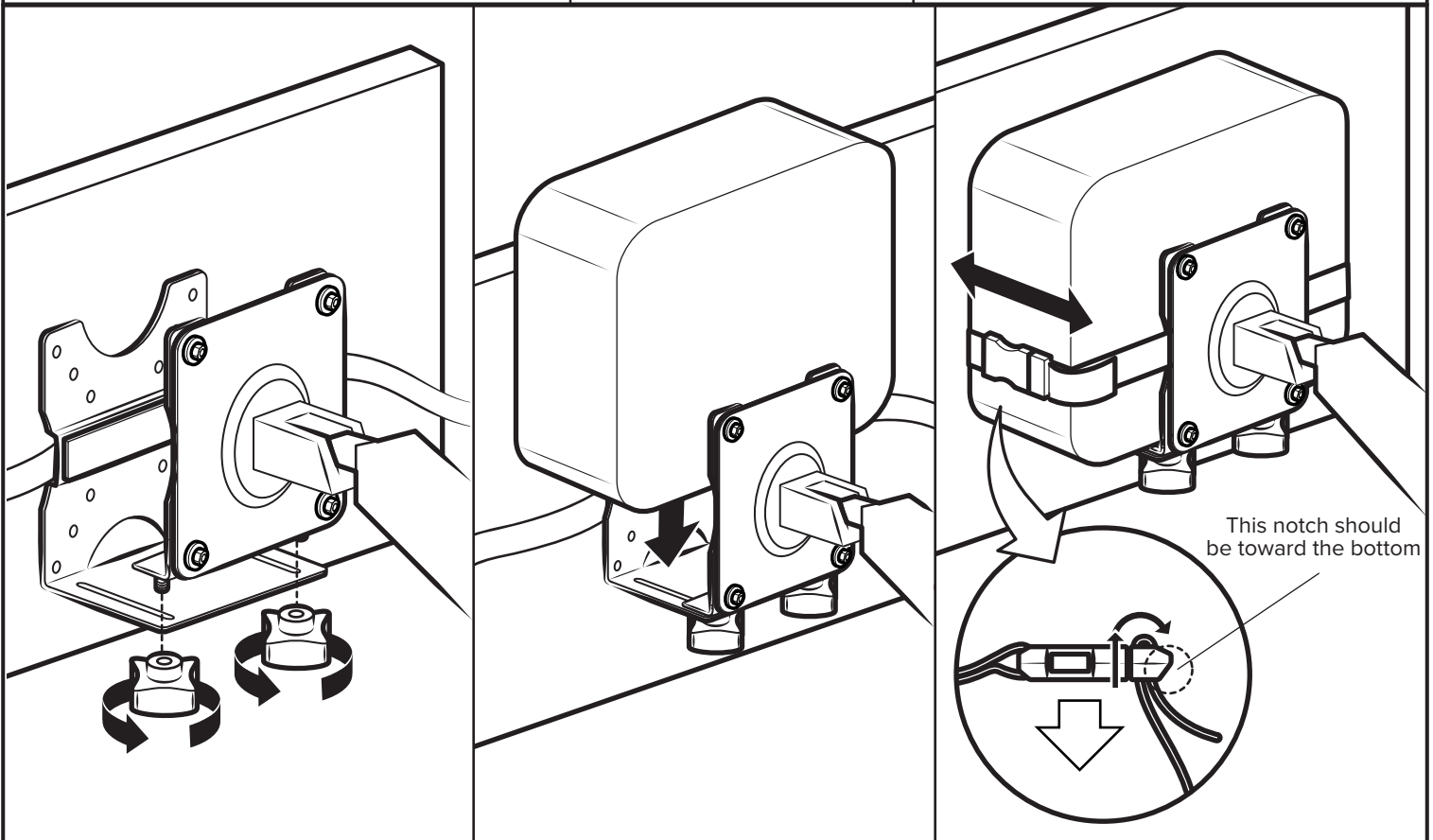
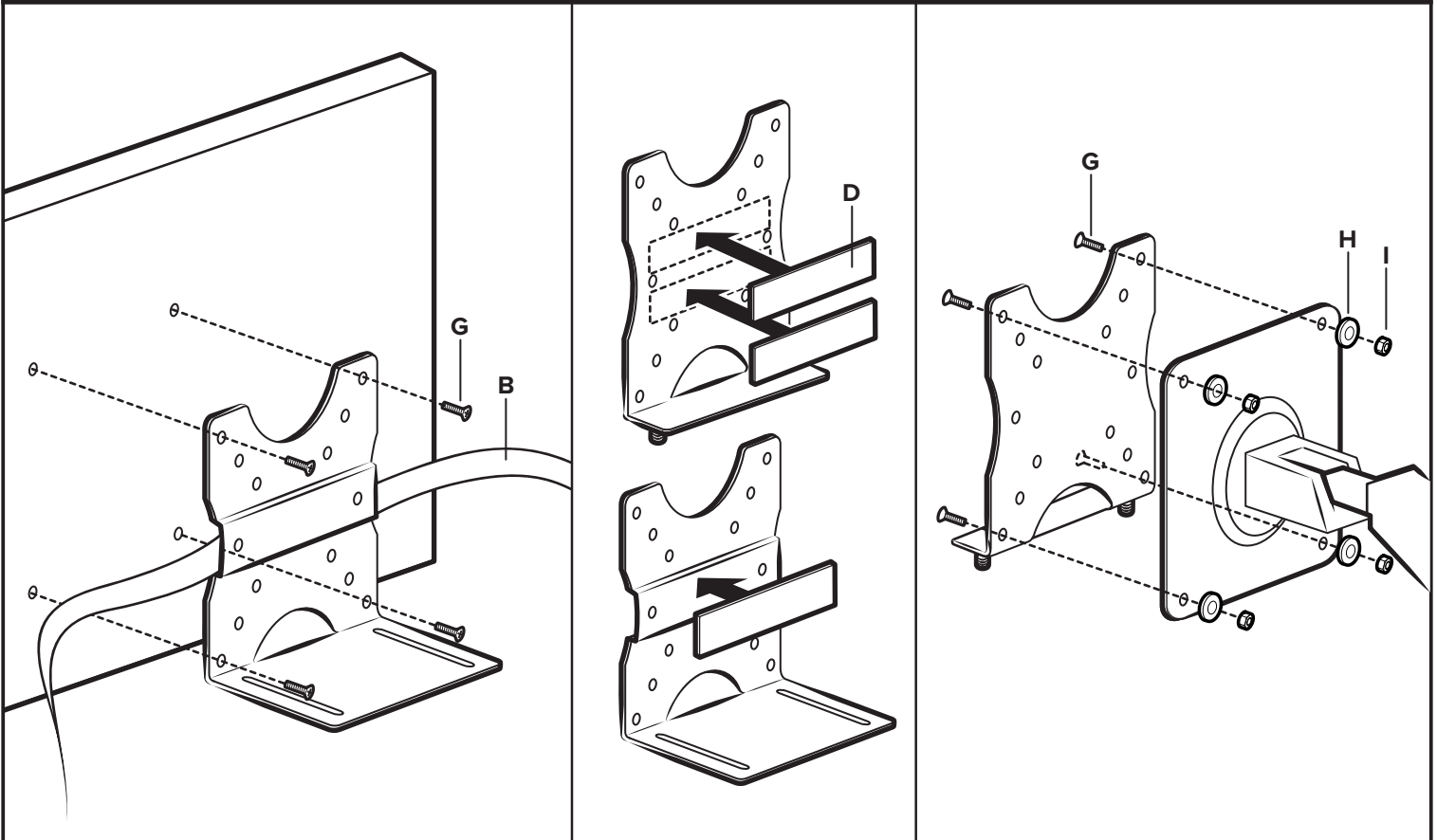
B. POLE MOUNT



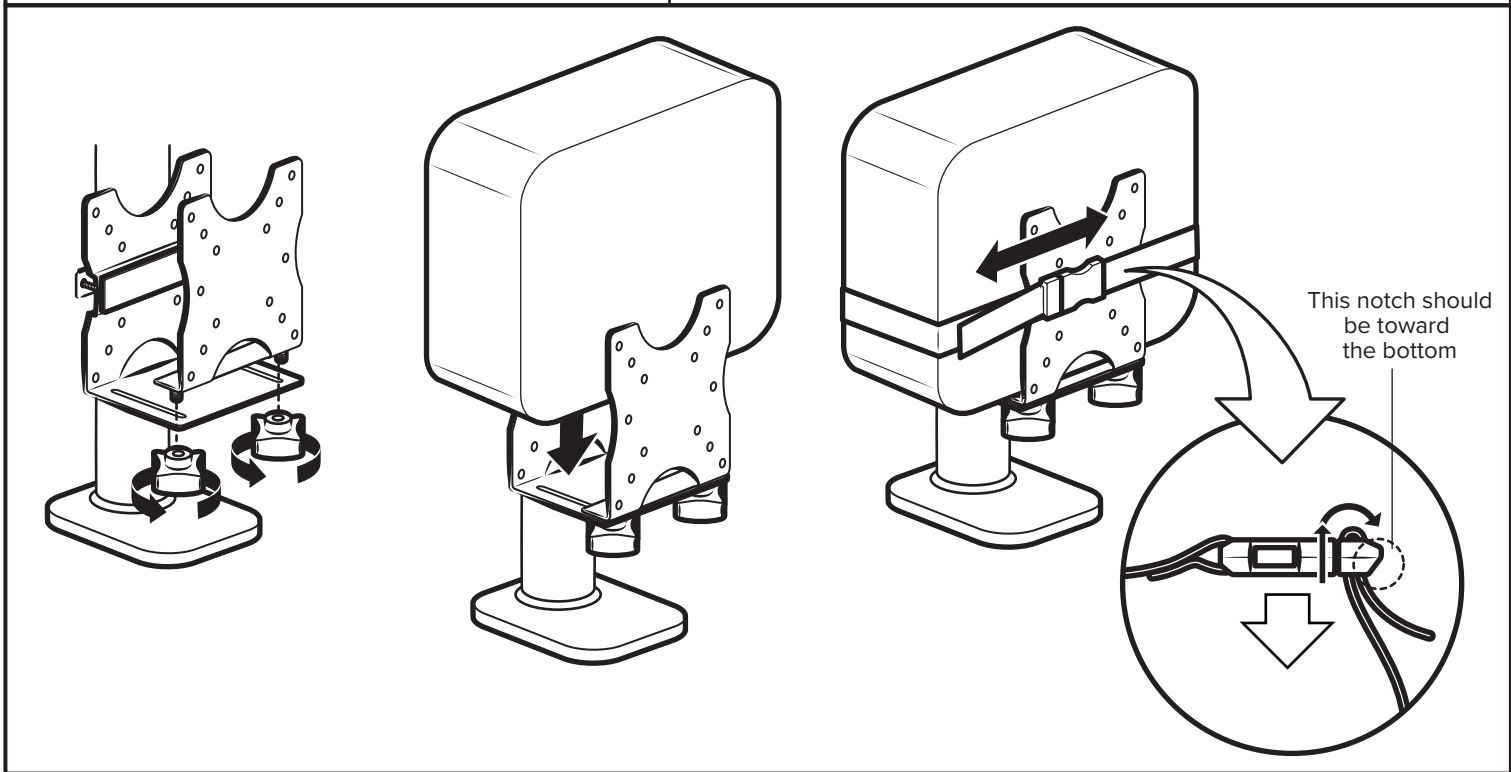
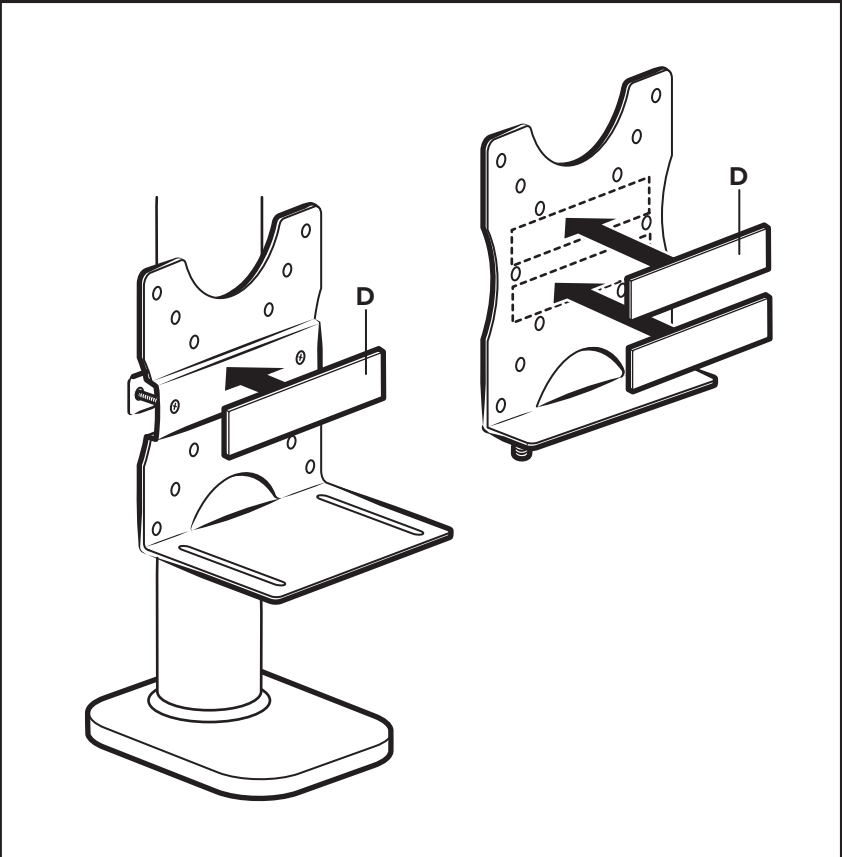
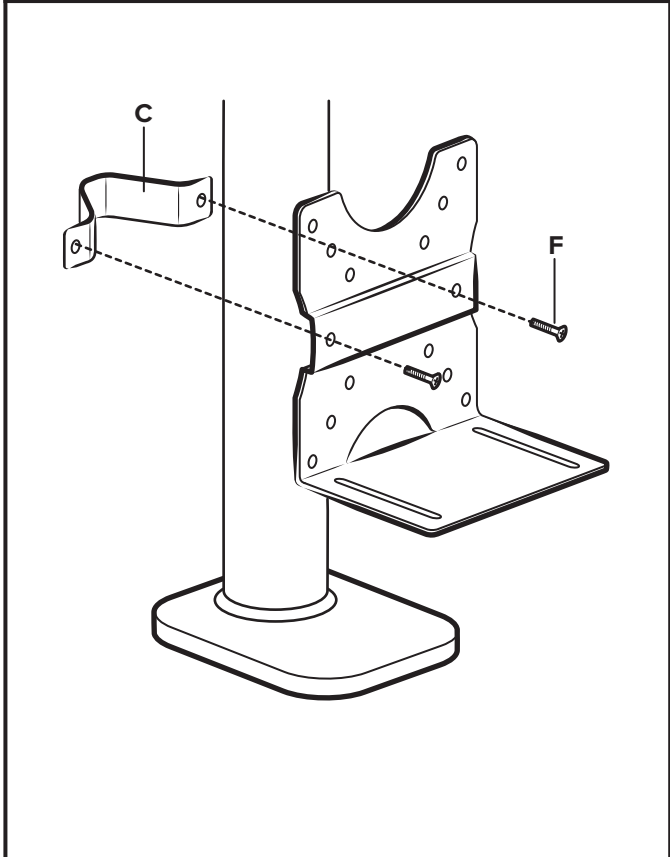
C. DESK OR SURFACE MOUNT



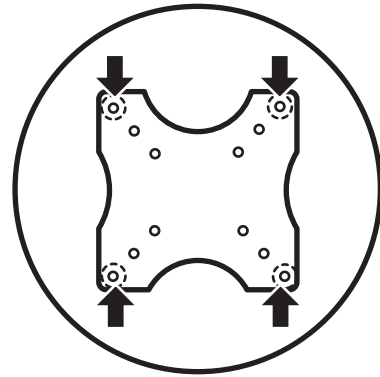
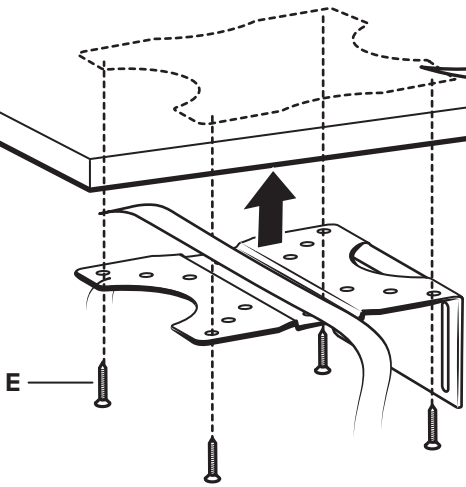
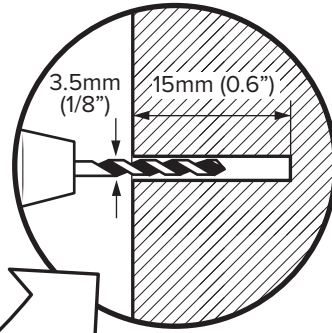
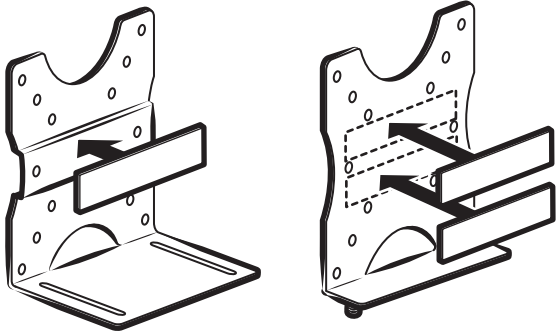
OPTION A: ARM MOUNT



OPTION B: POLE MOUNT



OPTION C: DESK OR SURFACE MOUNT



OPTION C: DESK OR SURFACE MOUNT

