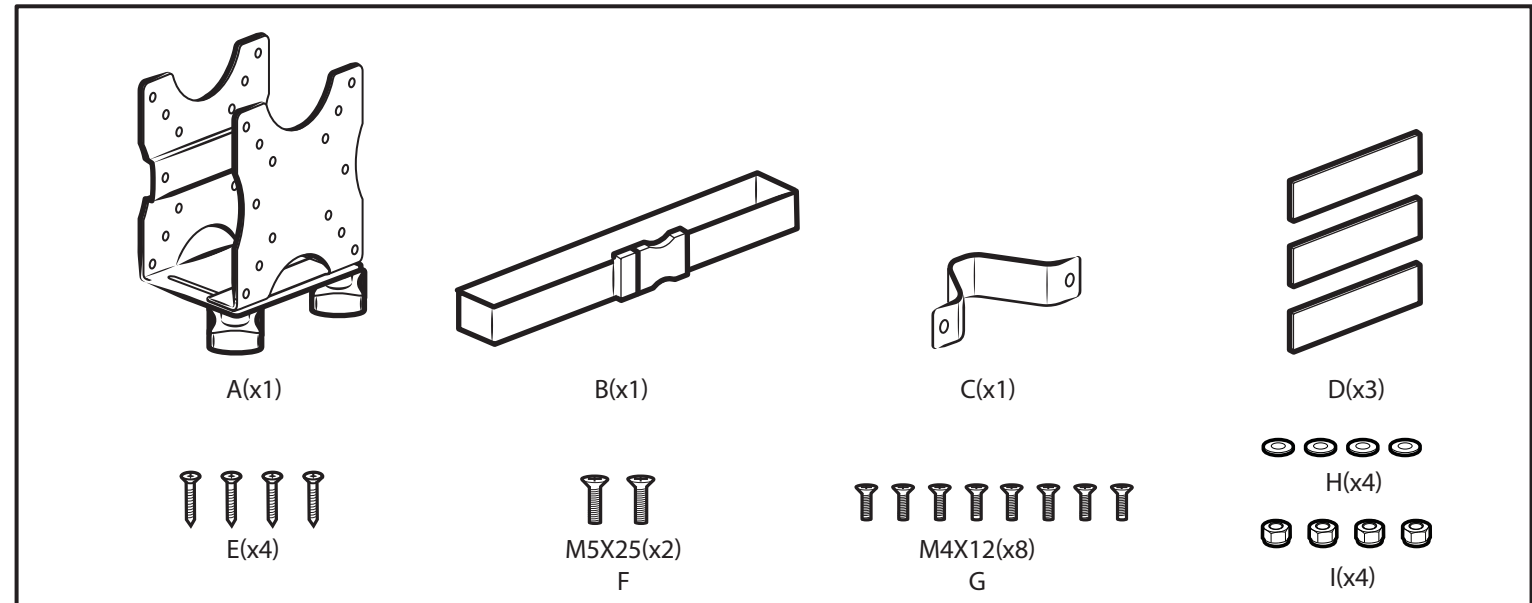


# HUMANCENTRIC®

Model 101-2047

[www.humancentric.com/patents](http://www.humancentric.com/patents)

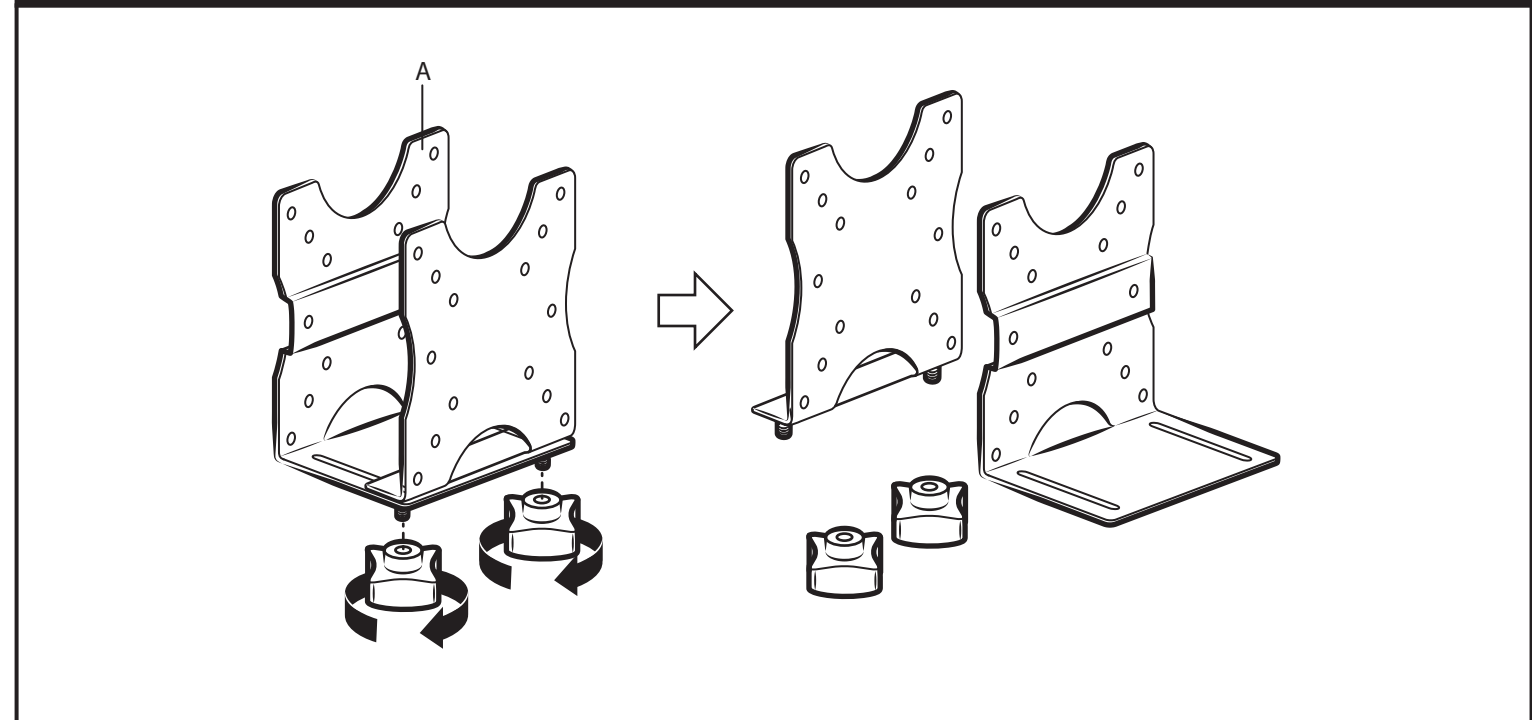
## PARTS INCLUDED



## ADDITIONAL TOOLS REQUIRED

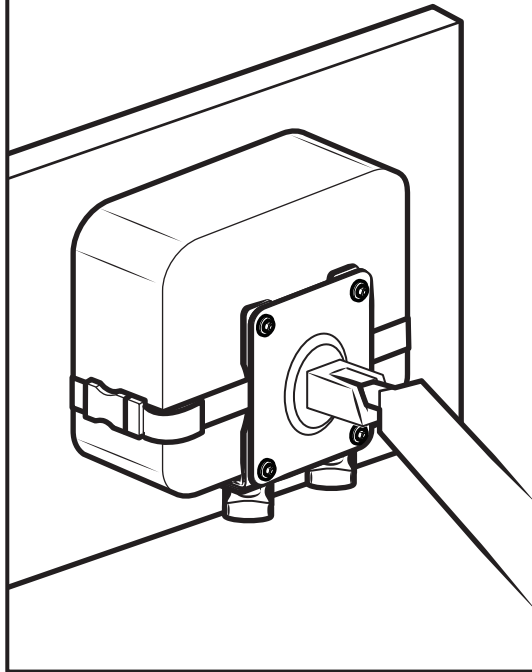
Phillips Head Screwdriver  
Adjustable wrench

## 1. DISASSEMBLE MOUNT

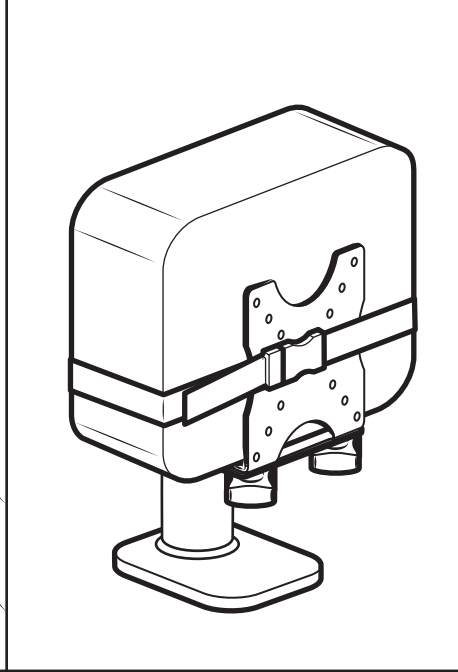


## 2. SELECT MOUNTING OPTION

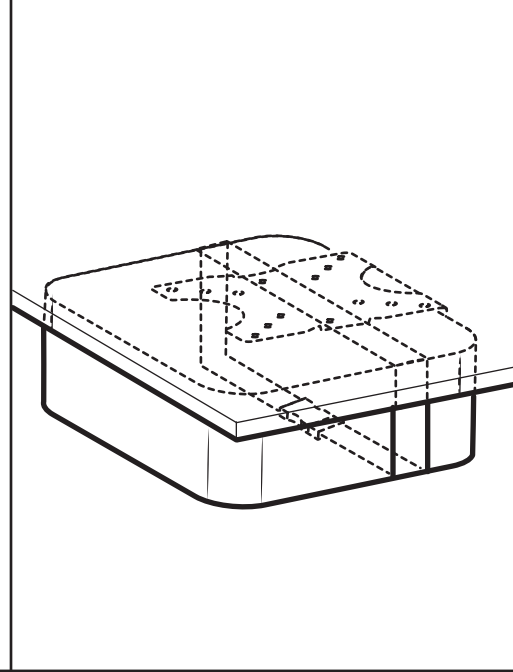
### A. ARM MOUNT



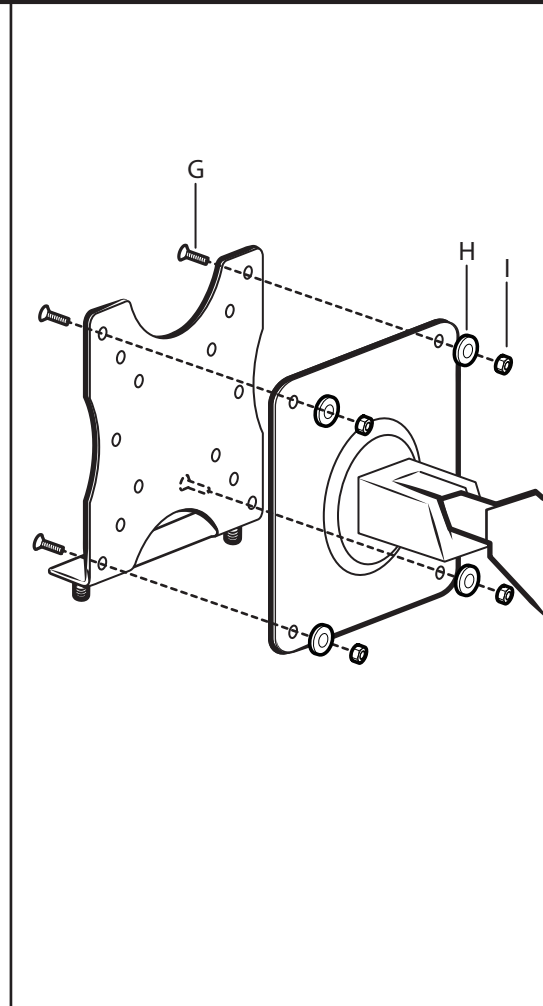
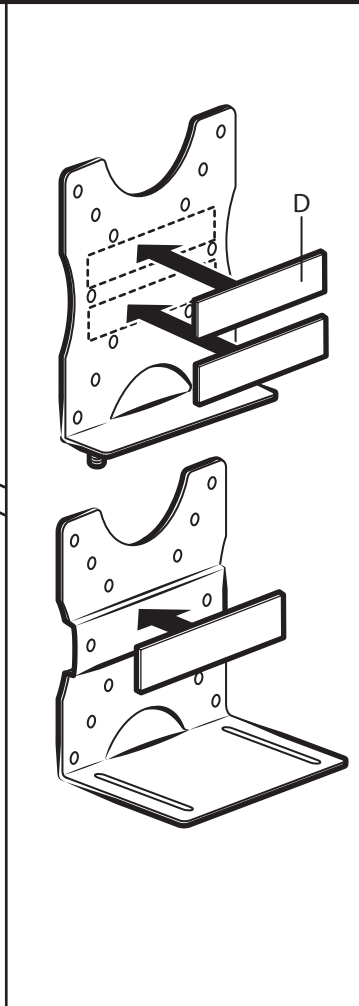
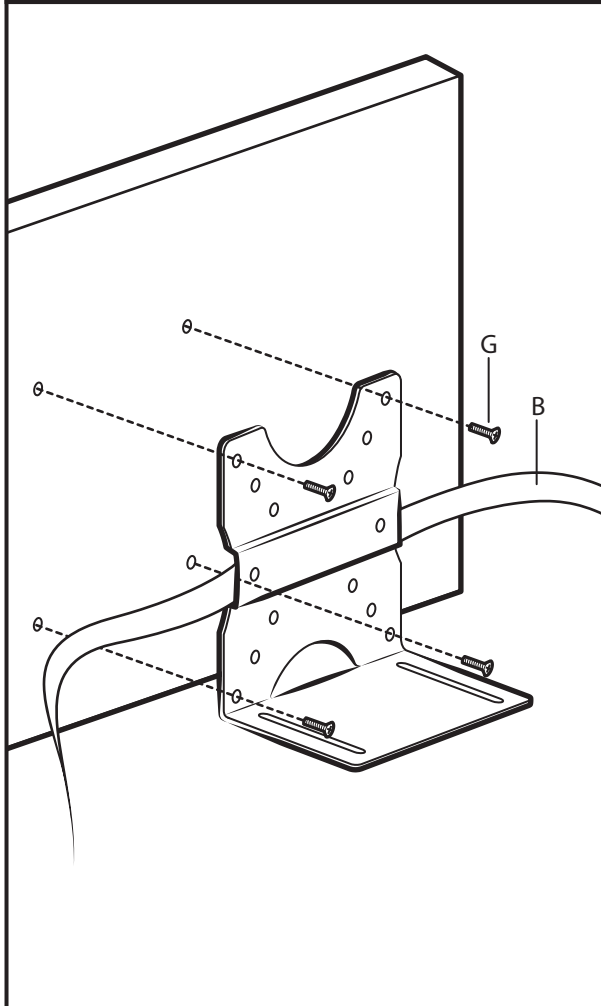
### B. POLE MOUNT



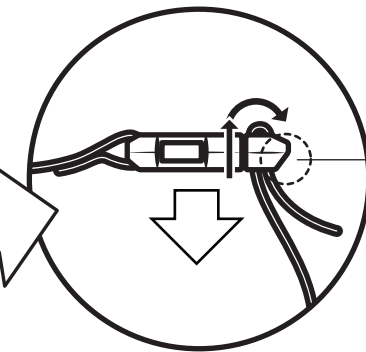
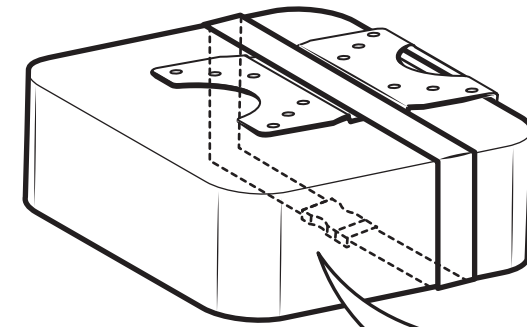
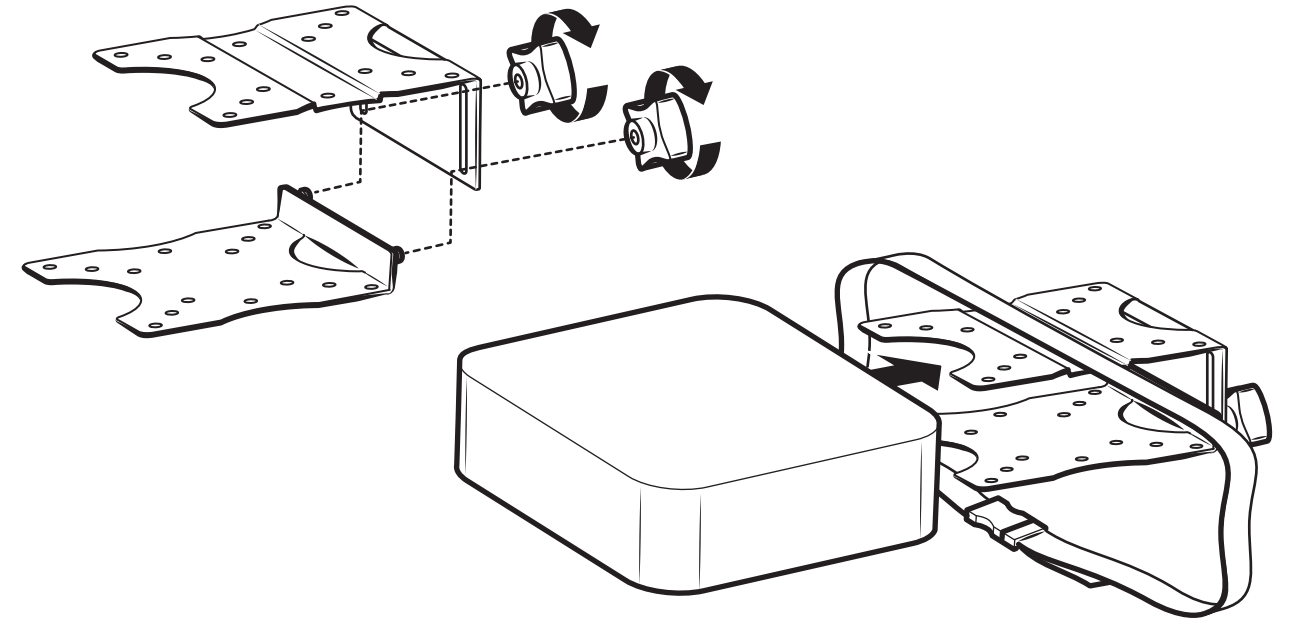
### C. DESK OR SURFACE MOUNT



## OPTION A: ARM MOUNT

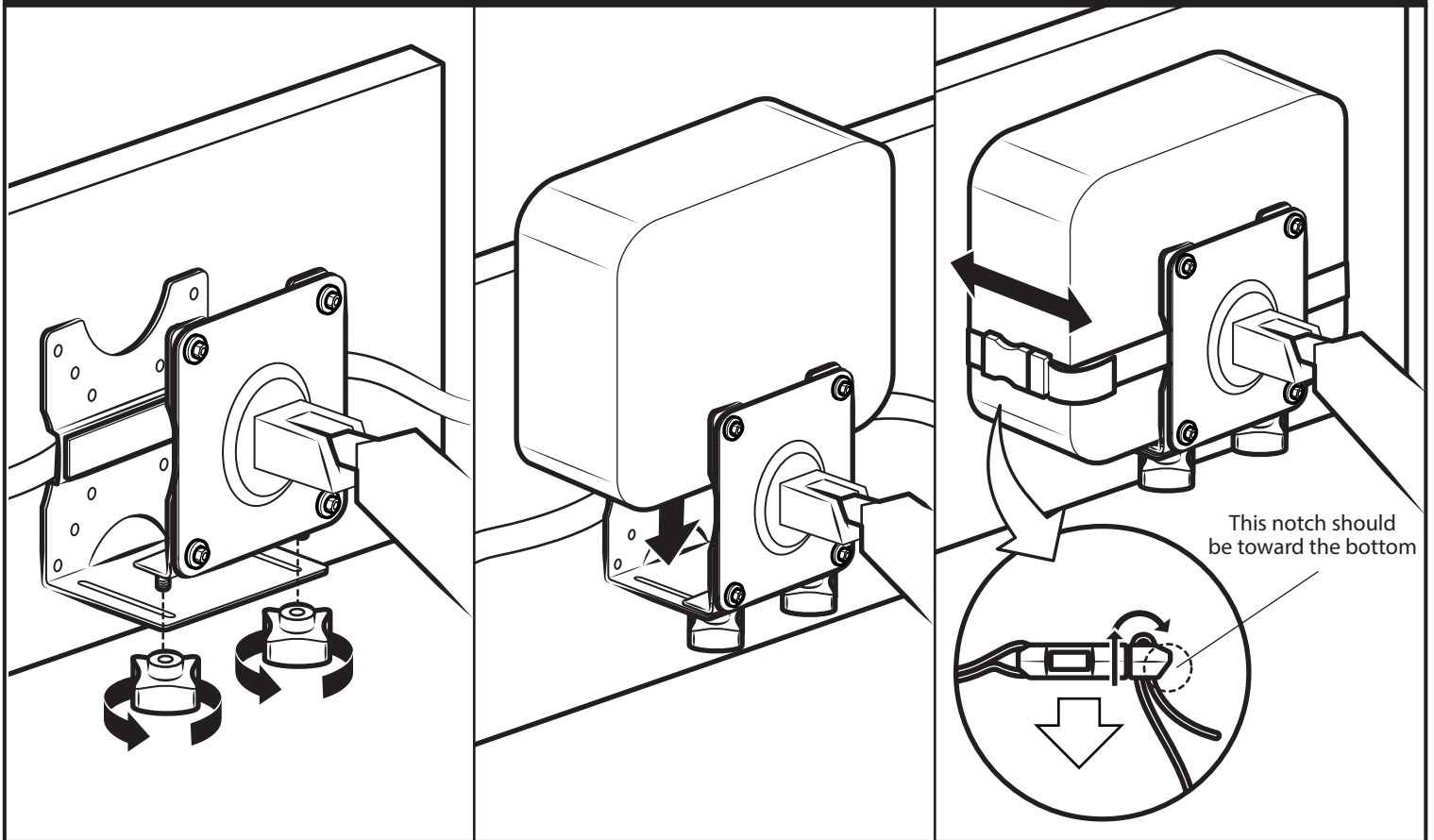


## OPTION C: DESK OR SURFACE MOUNT

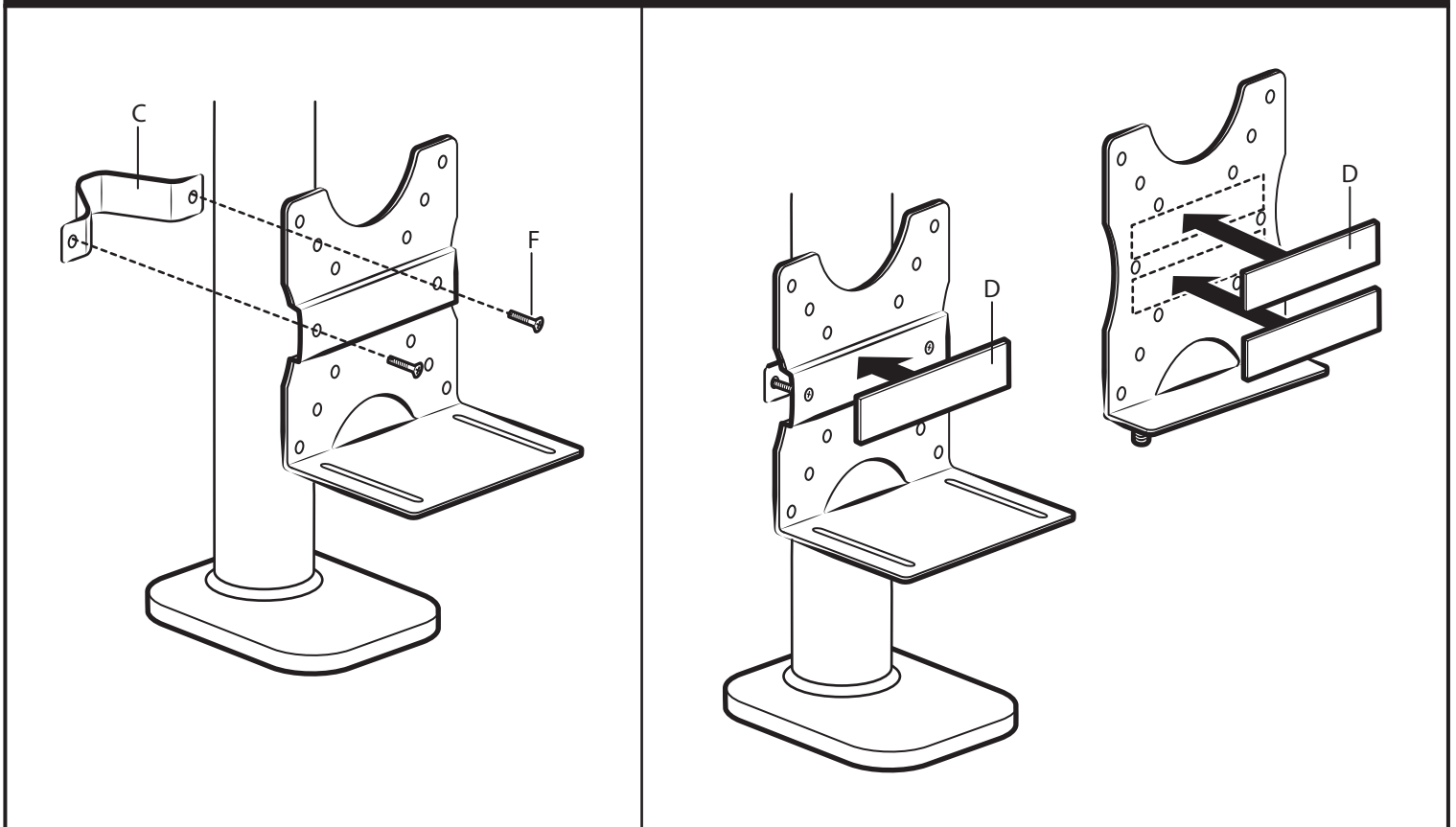


This notch should be toward the bottom

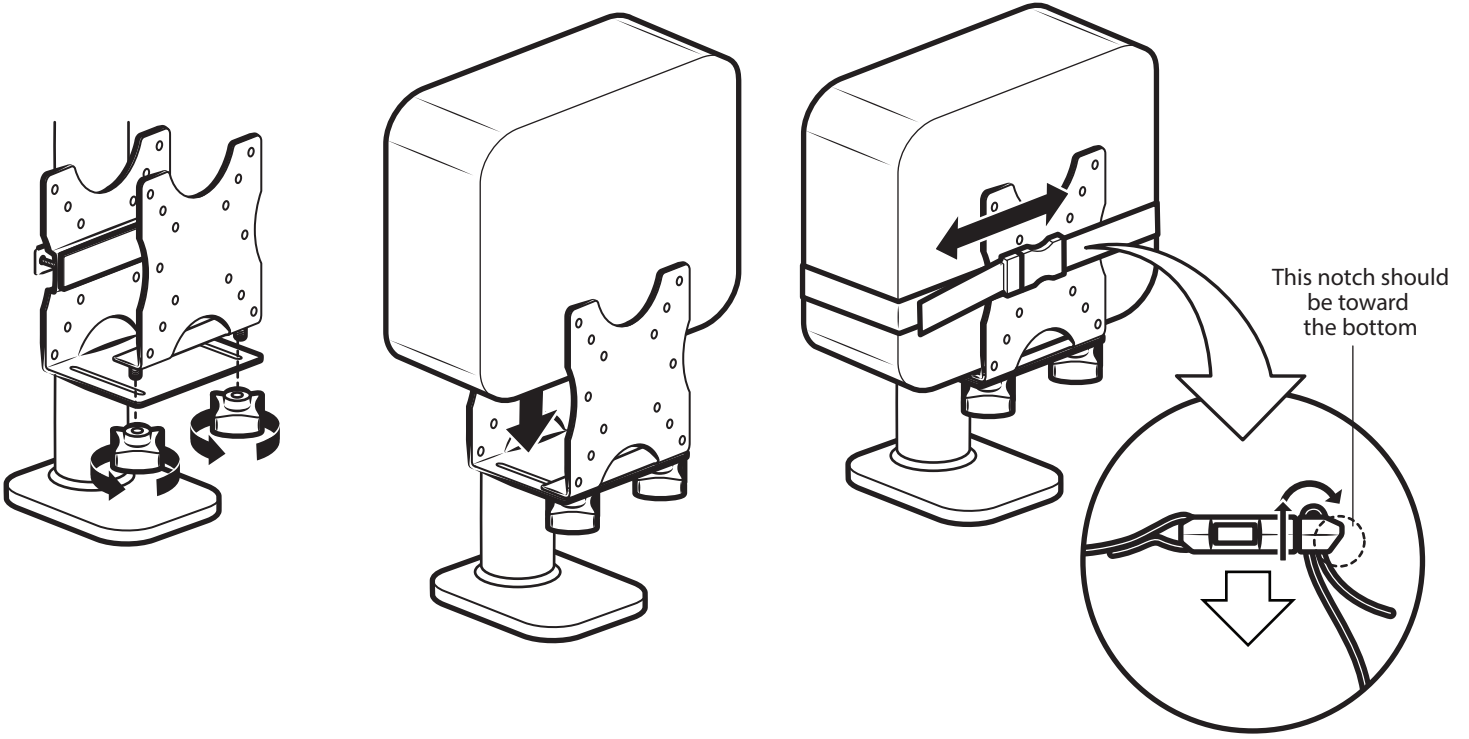
## OPTION A: ARM MOUNT



## OPTION B: POLE MOUNT



### OPTION B: POLE MOUNT



### OPTION C: DESK OR SURFACE MOUNT

