






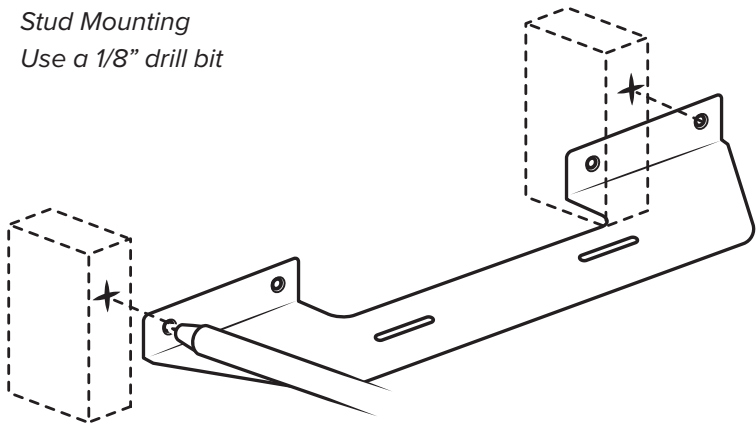
# HUMANCENTRIC®

Model 101-2044

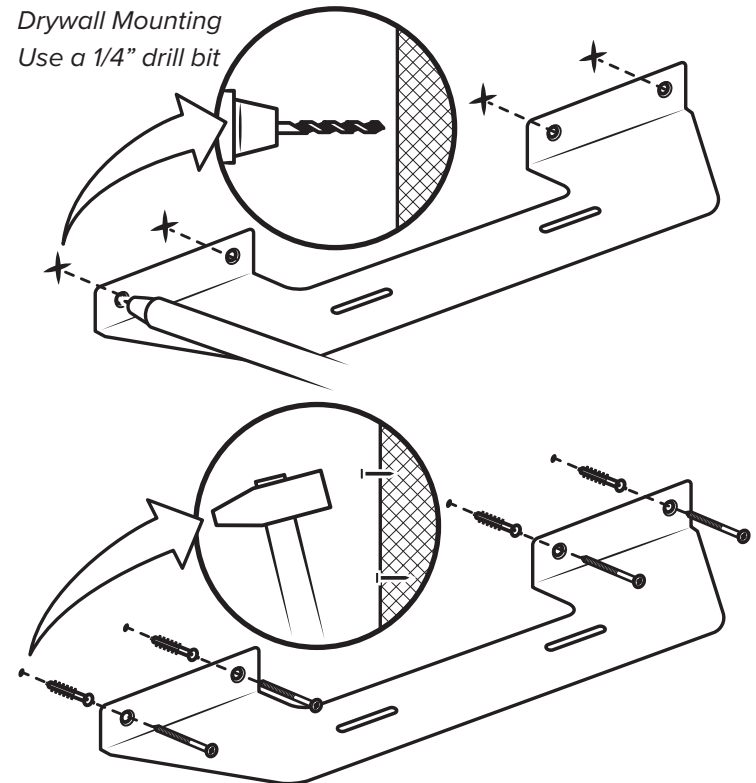
ENGLISH 	DEUTSCH 	FRANÇAIS 	ITALIANO 	ESPAÑOL 
Wall Mount for Sonos® Beam soundbar	Wandhalterung für Sonos® Beam soundbar	Support mural pour Sonos® Beam soundbar	Supporto per montaggio a muro per Sonos® Beam soundbar	Soporte de pared para Sonos® Beam soundbar
<b>Parts included</b>	<b>Enthaltene Teile</b>	<b>Pièces fournies</b>	<b>Parti incluse</b>	<b>Partes incluidas</b>
Mounting bracket ..... <b>1</b> Installation screws ..... <b>2</b> M5 stud mounting screws ..... <b>2</b> M5 drywall mounting screws..... <b>4</b> M5 drywall anchors ..... <b>4</b>	Halterung ..... <b>1</b> Installationsschrauben..... <b>2</b> Schrauben für Holzbalken ..... <b>2</b> Schrauben zur Wandmontage..... <b>4</b> Dübel zur Wandmontage ..... <b>4</b>	Support de fixation..... <b>1</b> Vis de montage ..... <b>2</b> Vis pour des poutres en bois..... <b>2</b> Vis pour montage mural ..... <b>4</b> Chevilles pour montage mural.. <b>4</b>	Staffa di supporto ..... <b>1</b> Viti di montaggio..... <b>2</b> Viti per trave di legno ..... <b>2</b> Viti per montaggio a muro ..... <b>4</b> Tasselli per montaggio a muro.. <b>4</b>	Soporte ..... <b>1</b> Tornillos de instalación ..... <b>2</b> Tornillos para montaje en los pernos prisioneros ..... <b>2</b> Tornillos para montaje en pared <b>4</b> Tacos para montaje en pared.... <b>4</b>
<b>Tools needed for installation</b>	<b>Für die Montage benötigen Sie</b>	<b>Outils nécessaires au montage</b>	<b>Attrezzi necessari per l'installazione</b>	<b>Herramientas necesarias para la instalación</b>
Phillips head screwdriver 1/4 inch diameter drill bit for drywall mounting 1/8 drill bit for stud mounting Power drill Hammer	Kreuzschlitzschraubendreher Bohrer-Bit mit 1/4" Durchmesser Bohrer-Bit mit 1/8" Durchmesser Bohrmaschine Hammer	Tournevis Phillips Foret Ø 6.35 mm (0,25") Foret Ø 3.175 mm (0,125") Perceuse Marteau	Cacciavite a croce Punta trapano con diametro 0,635 cm Punta trapano con diametro 0,3175 cm Trapano elettrico Martello	Destornillador de cabeza Phillips Broca de 6.35 mm (0,25 pulgadas) Broca de 3.175 mm (0,125 pulgadas) Taladro Martillo

1

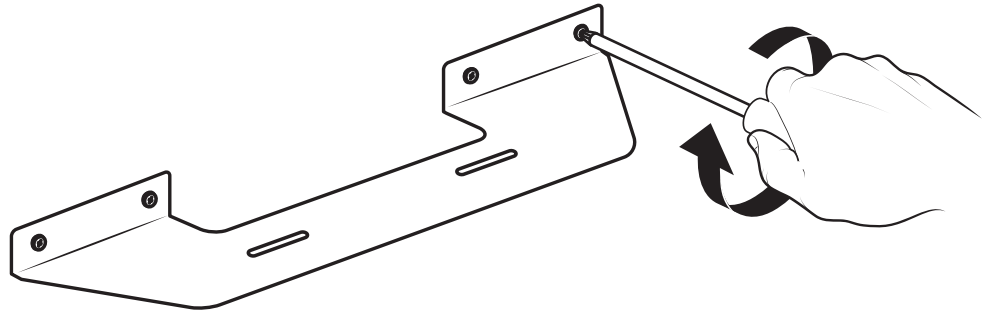
Stud Mounting  
Use a 1/8" drill bit



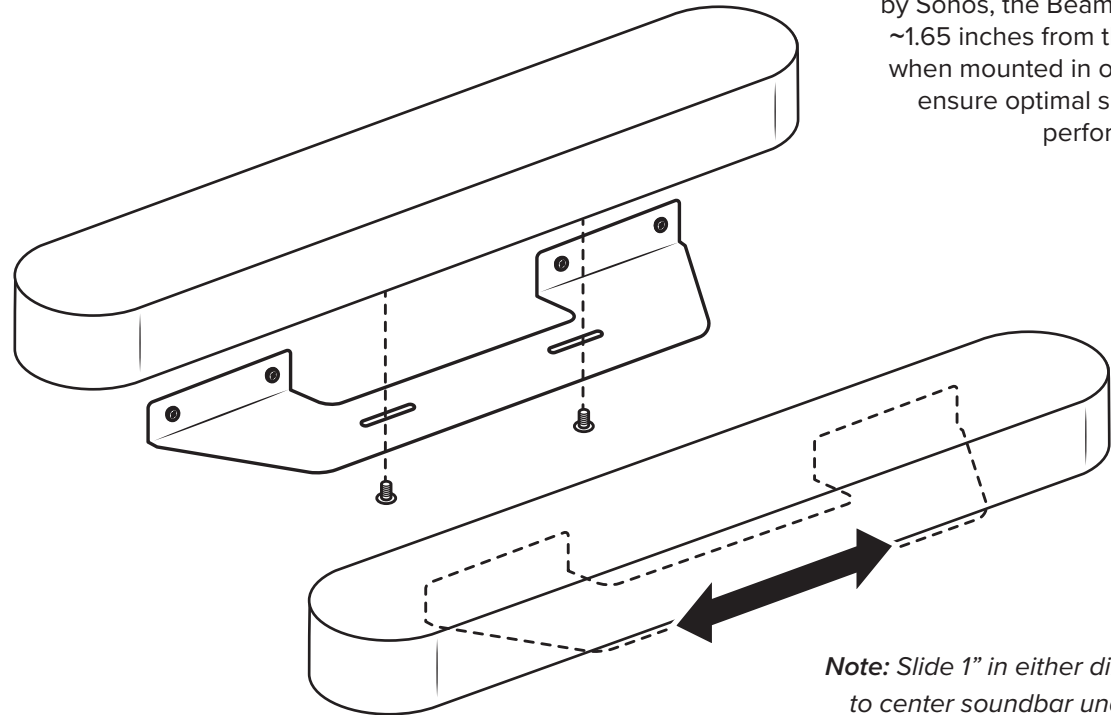
Drywall Mounting  
Use a 1/4" drill bit



2



3



Per the guidelines published by Sonos, the Beam will sit ~1.65 inches from the wall when mounted in order to ensure optimal speaker performance

**Note:** Slide 1" in either direction to center soundbar under TV.