



Mounting Bracket Extension Plate for Intel® NUC

www.humancentric.com/patents

Model 101-2040

Full product specifications: www.humancentric.com/101-2040

Need help? Contact support: support@humancentric.com








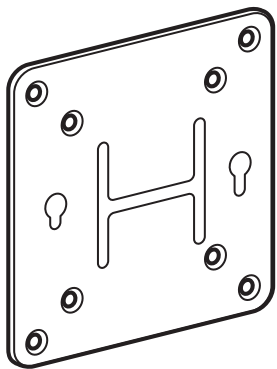
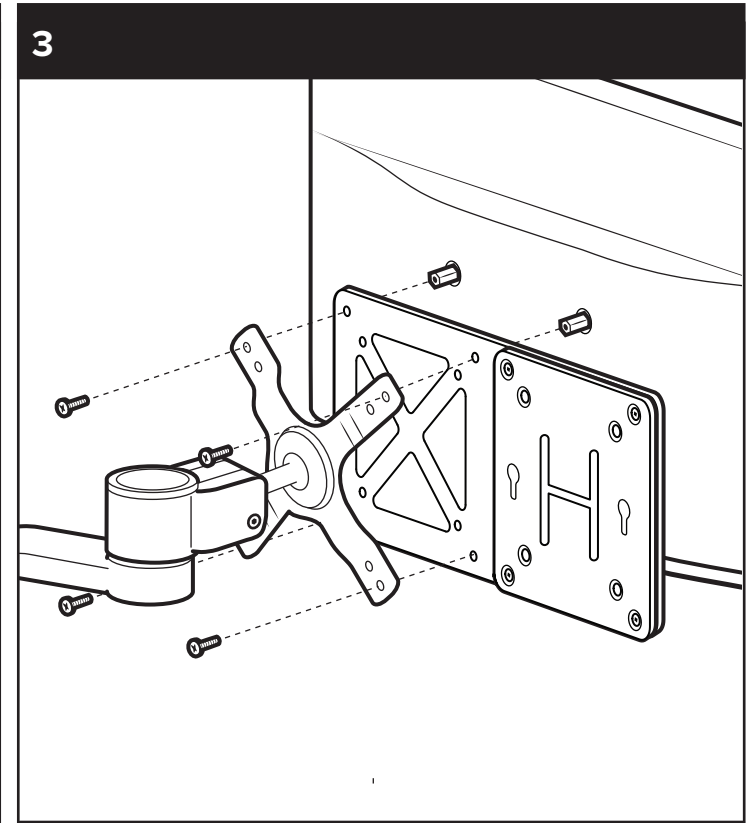
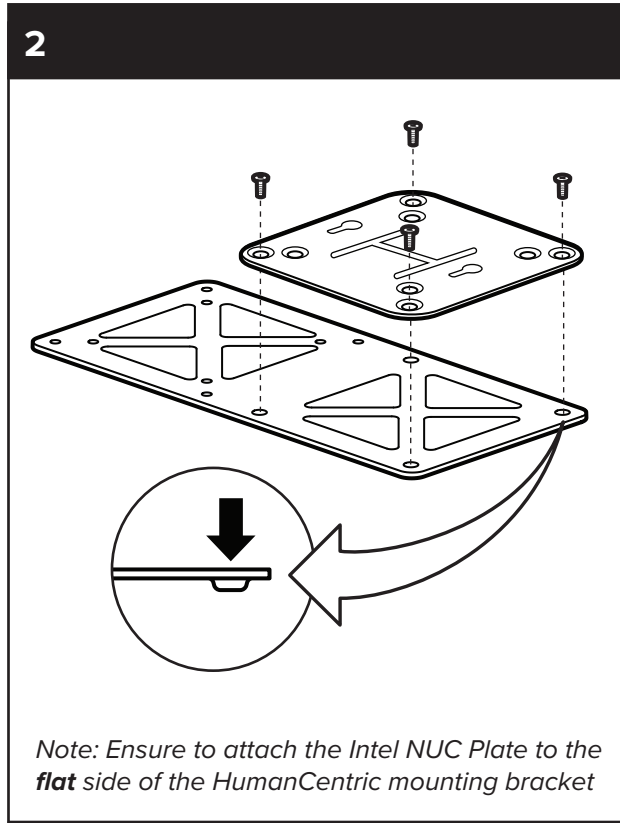
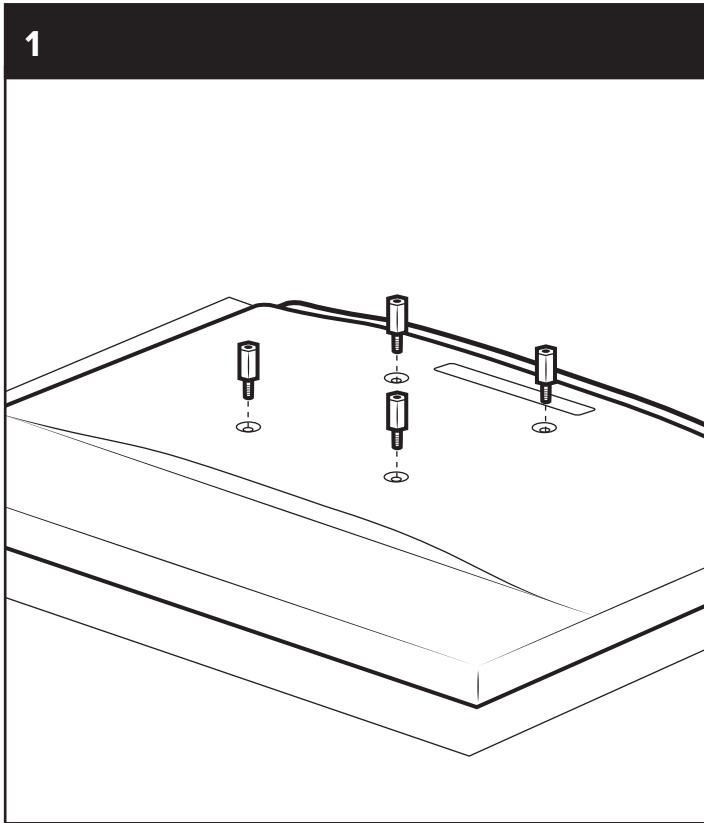
WARNING



To reduce the risk of injury to persons, read all important precautions and warnings listed below. HumanCentric assumes no responsibility for personal injury or property damage sustained by or through the use of this product:

1. Read all instructions carefully.
2. Incorrect installation may lead to damage or serious injury. Ensure the product is secured before use.
3. If using a VESA stand or VESA arm, ensure it can support the combined weight of the bracket, monitor, and any mounted devices.

ENGLISH 	DEUTSCH 	FRANÇAIS 	ITALIANO 	ESPAÑOL 
Mounting Bracket Extension Plate for Intel® NUC	Wandhalterung für Intel® NUC	Support mural pour Intel® NUC	Supporto per montaggio a muro per Intel® NUC	Soporte de pared para Intel® NUC
Parts included	Enthaltene Teile	Pièces fournies	Parti incluse	Partes incluidas
Mounting bracket 1 Mounting Screws (M4 x 10mm) 4 Metal Spacers 4	Halterung..... 1 Schrauben..... 4 Metall-Unterlegscheibe 4	Support de fixation 1 Vis 4 Espaceur Métallique..... 4	Staffa di supporto 1 Viti 4 Distanziatori in Metallo..... 4	Soporte 1 Tornillos..... 4 Espaciador de Metal 4
Tools needed for installation	Für die Montage benötigen Sie	Outils nécessaires au montage	Attrezzi necessari per l'installazione	Herramientas necesarias para la instalación
Phillips head screwdriver	Kreuzschlitzschraubendreher	Tournevis Phillips	Cacciavite a croce	Destornillador de cabeza Phillips



IMPORTANT NOTE

The installation requires the use of the VESA bracket that comes with your Intel NUC Mini Computer.

If you did not receive this part with your Intel NUC Mini Computer, you can purchase a replacement by searching for "HumanCentric Intel NUC VESA" on Amazon.

