



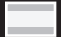
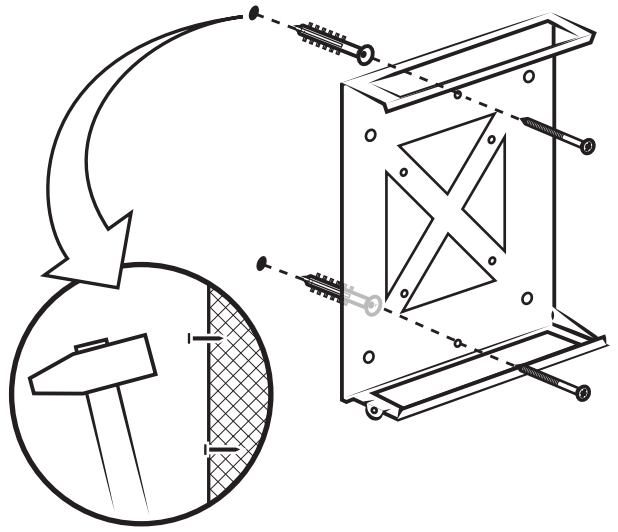
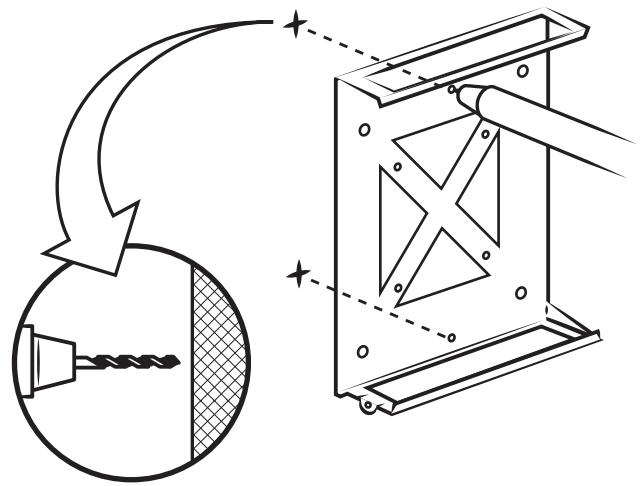


HUMANCENTRIC®

Model 101-2039

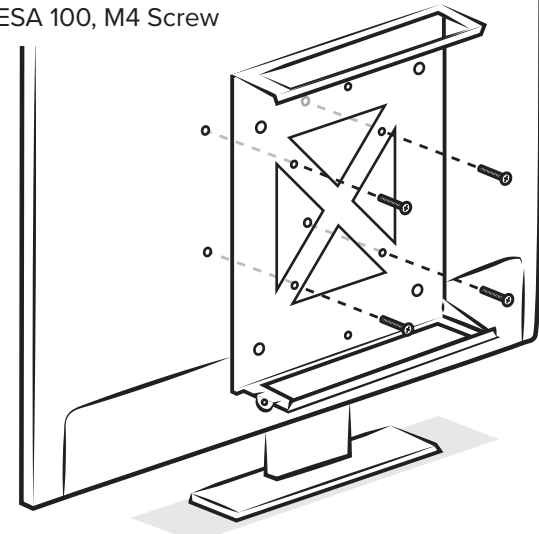
ENGLISH 	DEUTSCH 	FRANÇAIS 	ITALIANO 	ESPAÑOL 
Xbox® One X Mount	Wandhalterung für Xbox® One X	Support mural pour Xbox® One X	Supporto per montaggio a muro per Xbox® One X	Soporte de pared para Xbox® One X
Parts included Mounting bracket 1 Drywall screws 2 Drywall anchors 2 M4 VESA Screws 4 M6 VESA Screws 2 Installation screw 1 Washer 1	Enthaltene Teile Halterung..... 1 Schrauben zur Wandmontage 2 Dübel zur Wandmontage..... 2 M4 VESA-Schrauben 4 M6 VESA-Schrauben 2 Installationsschraube 1 Unterlegscheibe..... 1	Pièces fournies Support de fixation 1 Vis pour montage mural 2 Chevilles pour montage mural 2 Vis M4 VESA 4 Vis M6 VESA 2 Vis de montage 1 Rondelle 1	Parti incluse Staffa di supporto 1 Viti per montaggio a muro 2 Tasselli per montaggio a muro 2 Viti M4 VESA 4 Viti M6 VESA 2 Vite di montaggio 1 Rondella 1	Partes incluidas Soporte 1 Tornillos para montaje en pared 2 Tacos para montaje en pared..... 2 Tornillos M4 VESA 4 Tornillos M6 VESA 2 Tornillo de instalación 1 Arandela..... 1
Tools needed for installation Phillips head screwdriver 17/64 inch diameter drill bit Power drill Hammer	Für die Montage benötigen Sie Kreuzschlitzschraubendreher Bohrer-Bit mit 17/64" Durchmesser Bohrmaschine Hammer	Outils nécessaires au montage Tournevis Phillips Foret Ø 6.75 mm (0,2656") Perceuse Marteau	Attrezzi necessari per l'installazione Cacciavite a croce Punta trapano con diametro 6.75 mm Trapano elettrico Martello	Herramientas necesarias para la instalación Destornillador de cabeza Phillips Broca de 6.75 mm (0,2656 pulgadas) Taladro Martillo

OPTION 1: WALL MOUNT

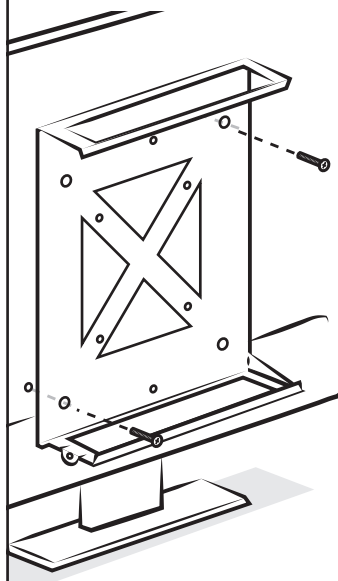


OPTION 2: VESA MOUNT

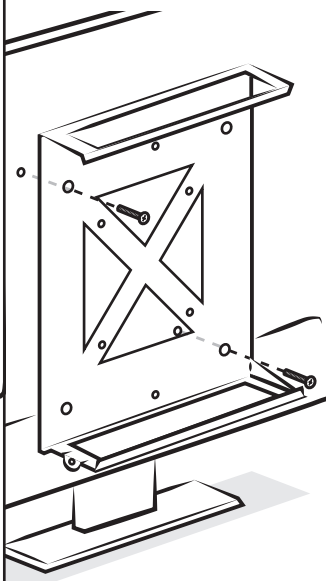
VESA 100, M4 Screw



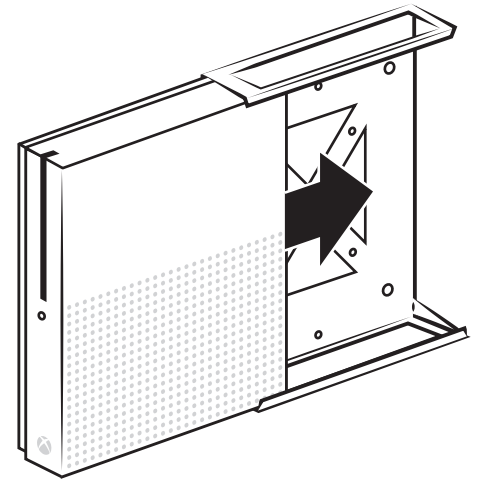
VESA 200, M4 Screw



VESA 200, M6 Screw



2



3

