

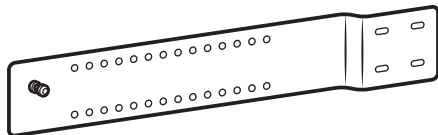
HUMANCENTRIC

Wall Mount for Sonos Playbar

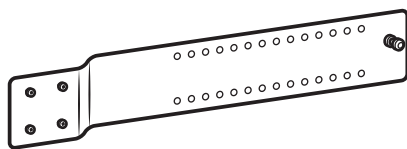
Model 101-2031

www.humancentric.com/patents

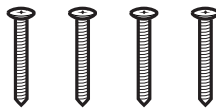
PARTS INCLUDED



Mounting bracket A



Mounting bracket B



Stud mounting screws (4)



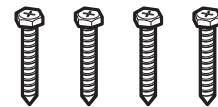
Drywall Anchors (4)



Rubber washer (4)



Thumb nuts (4)



Drywall screws (4)

ADDITIONAL TOOLS REQUIRED

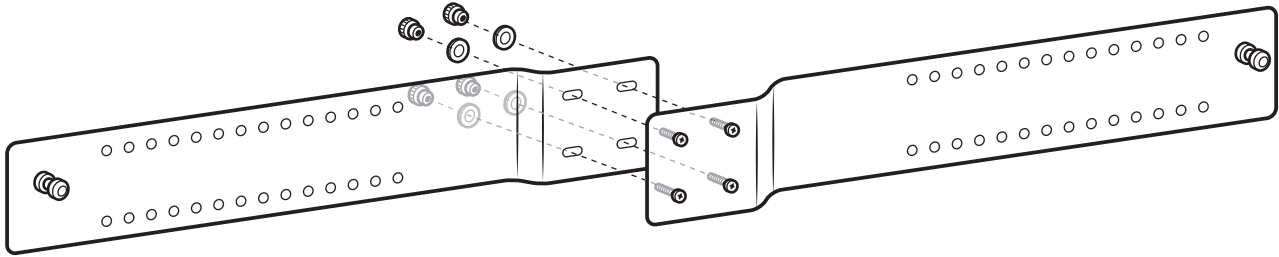
- Philips Head Screwdriver
- Power drill with 17/64" (6.75mm) bit
- Level
- Marking Pencil
- Edge-finding stud locator (for stud wall mounting)

COMPATIBLE WITH MODELS

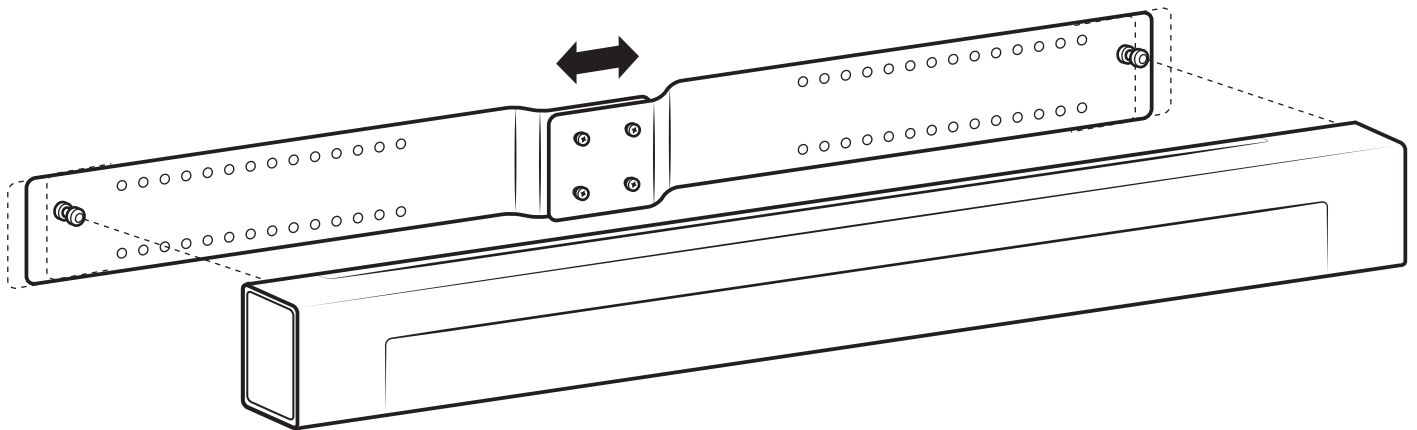
Fits Sonos Playbar

1. ASSEMBLE MOUNTING BRACKET

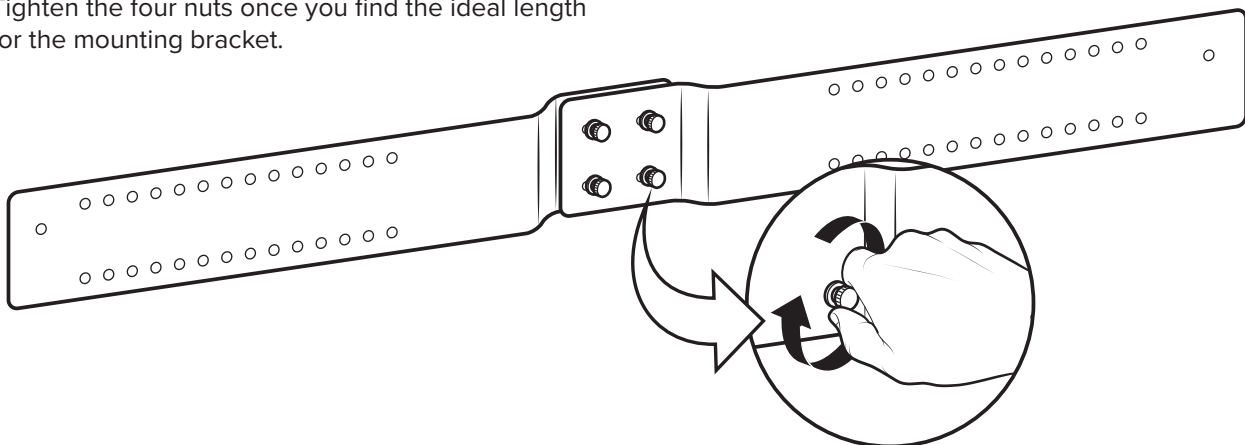
Attach the mount plate A to the mount plate B bracket pieces using the four thumb nuts, washers and press in studs. Do not tighten the thumb nuts yet.



Adjust the length of the mounting bracket until the two pegs at the end of the mounting bracket align with the Playbar's two mounting holes.

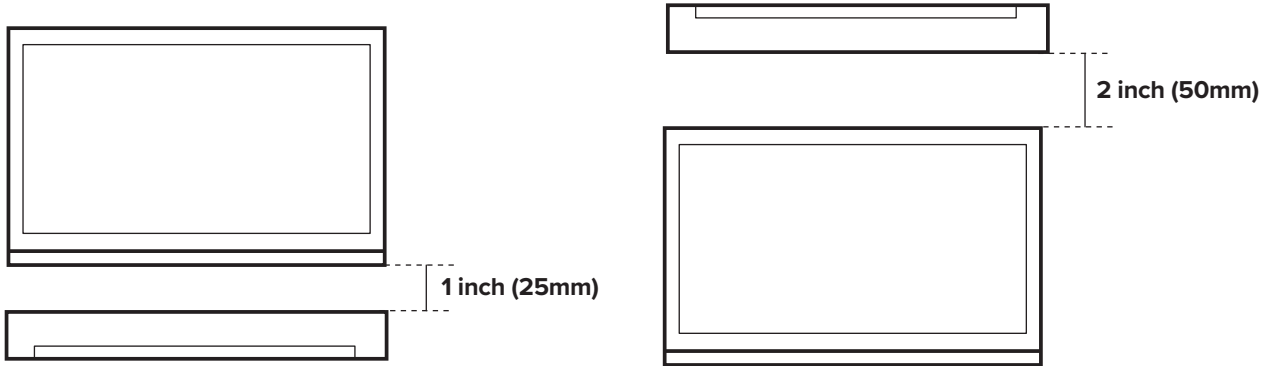


Tighten the four nuts once you find the ideal length for the mounting bracket.



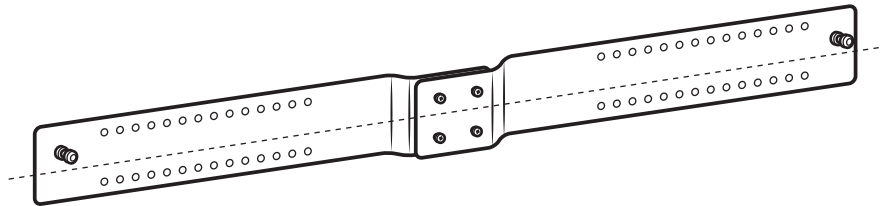
2. ATTACH MOUNING BRACKET TO THE WALL

The Playbar can be mounted above or below the TV. Ensure the connector panel faces away from the TV when mounted for the best audio performance.



Note: When mounting below the TV, allow 1 inch (25mm) clearance between the Playbar and the TV. When mounting above the TV, allow 2 inch (50mm) clearance between the Playbar and the TV.

Note: The bracket should be mounted with the two mounting pegs closer to the top of the bracket



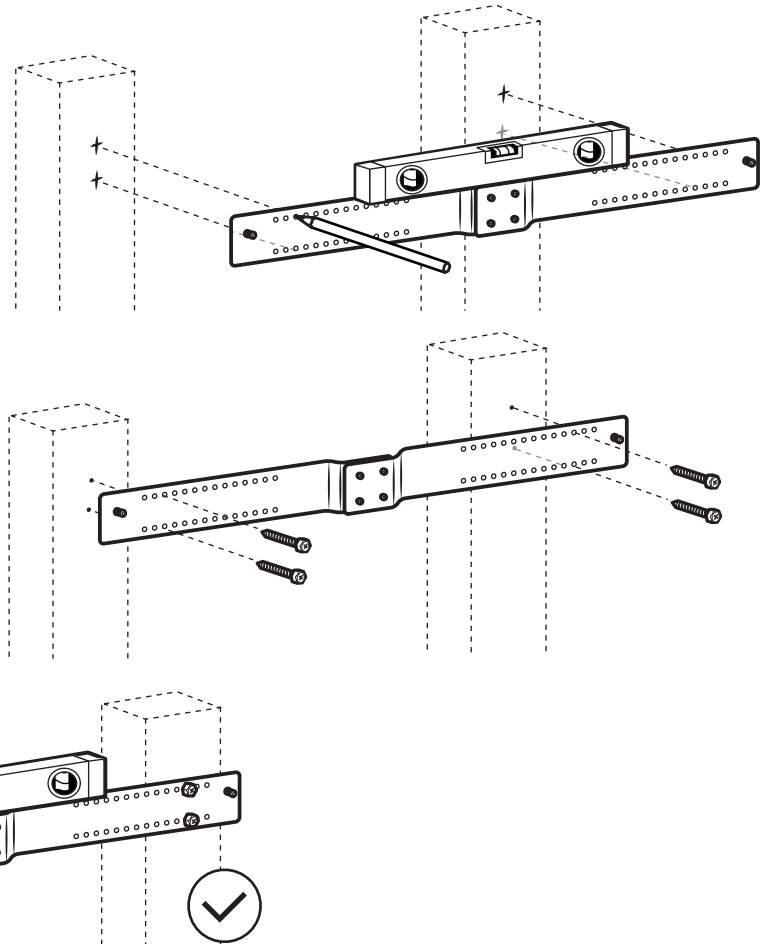
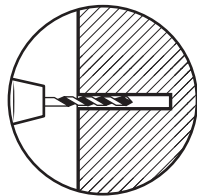
2A. Attach Mounting Bracket to Wood Stud Wall

Warning:

Do not use wall anchors in wood stud walls.

Locate two adjacent studs in the wall with the edge-finding stud finder. Ensure that you locate and mark the **center** of each stud.

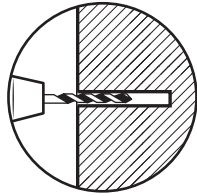
Drill four pilot holes in the wall for the wall mounting screws.



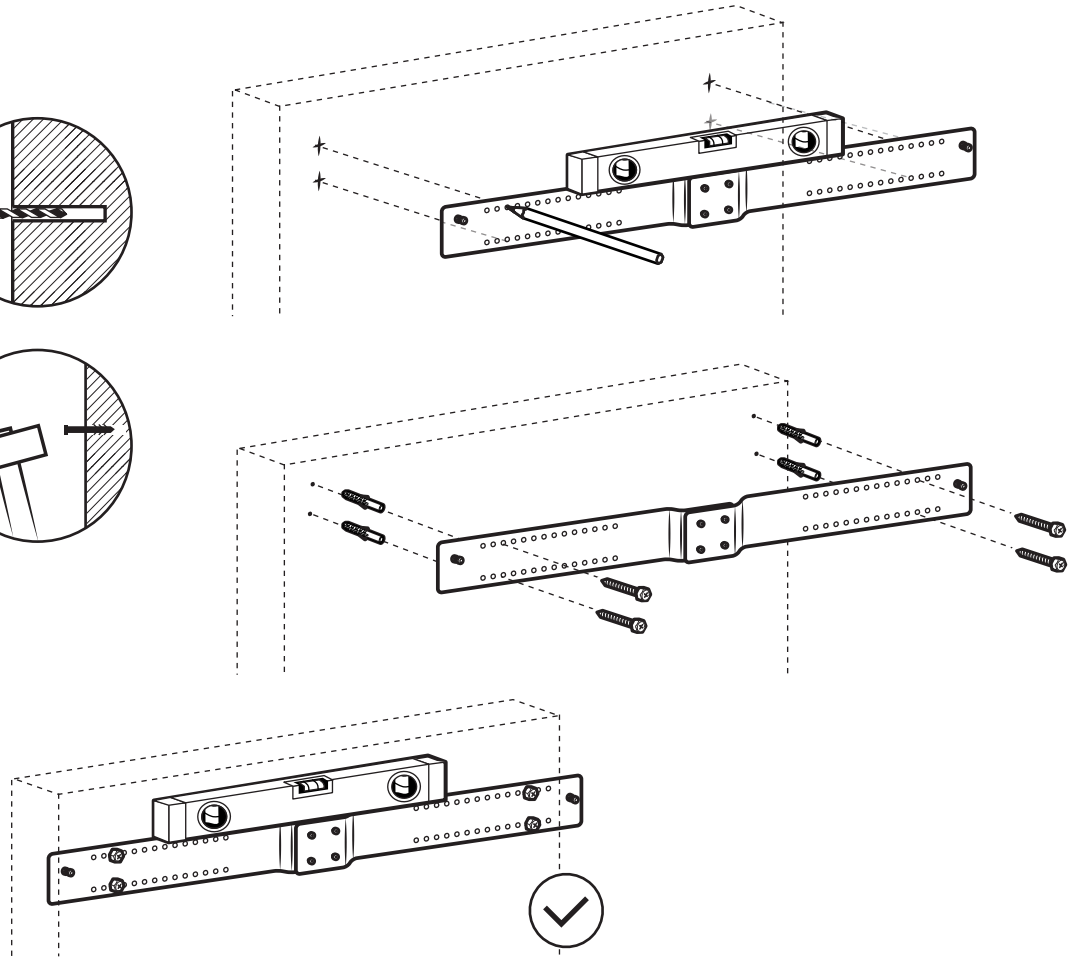
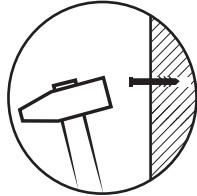
2. ATTACH MOUNTING BRACKET TO THE WALL

2B. Attach Mounting Bracket to Drywall

Use a 17/64" (6.75mm) drill bit to make four holes in the wall.



Pound all four wall anchors in until they are flush with the wall.



3. ATTACH THE PLAYBAR TO THE MOUNTING BRACKET

Hang the Playbar on the two pegs on the mounting bracket.

