

HUMANCENTRIC[®]

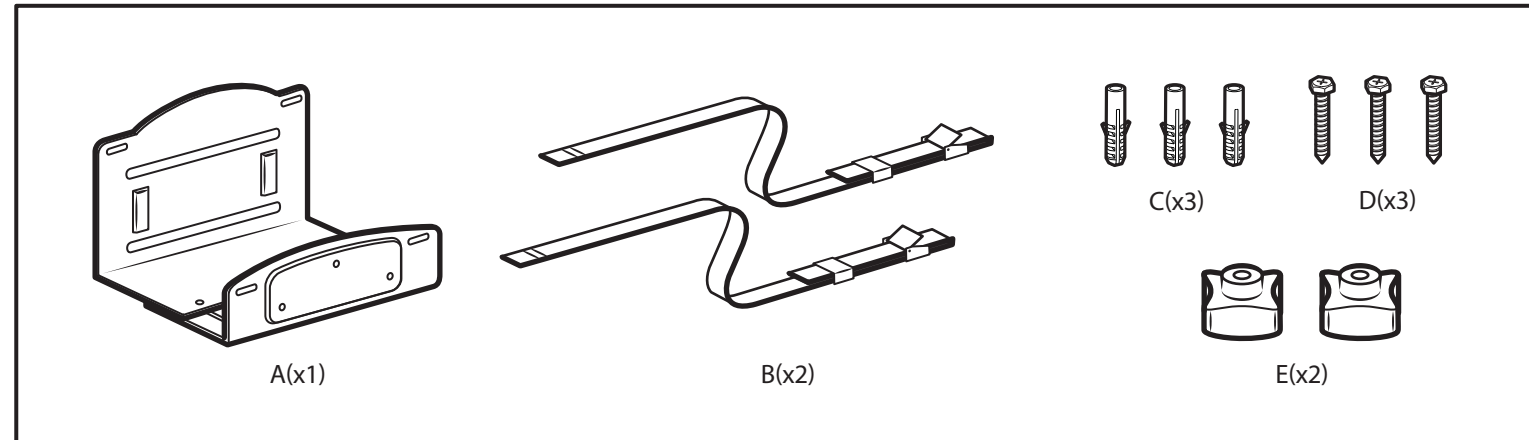
Model 101-2029

www.humancentric.com/patents

Wall Mount for Computer Case

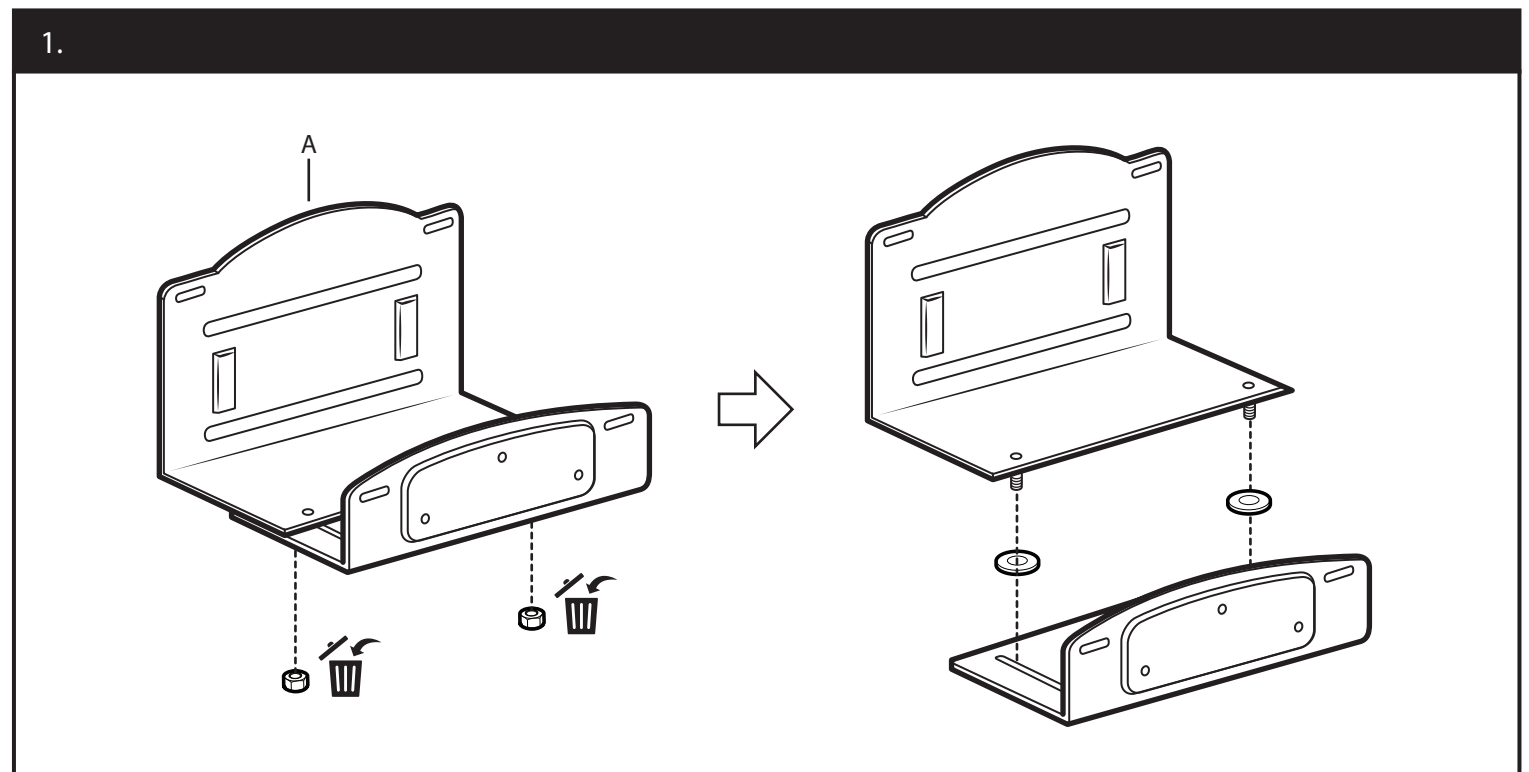
Fits computer cases 4.75" - 8" wide.

PARTS INCLUDED

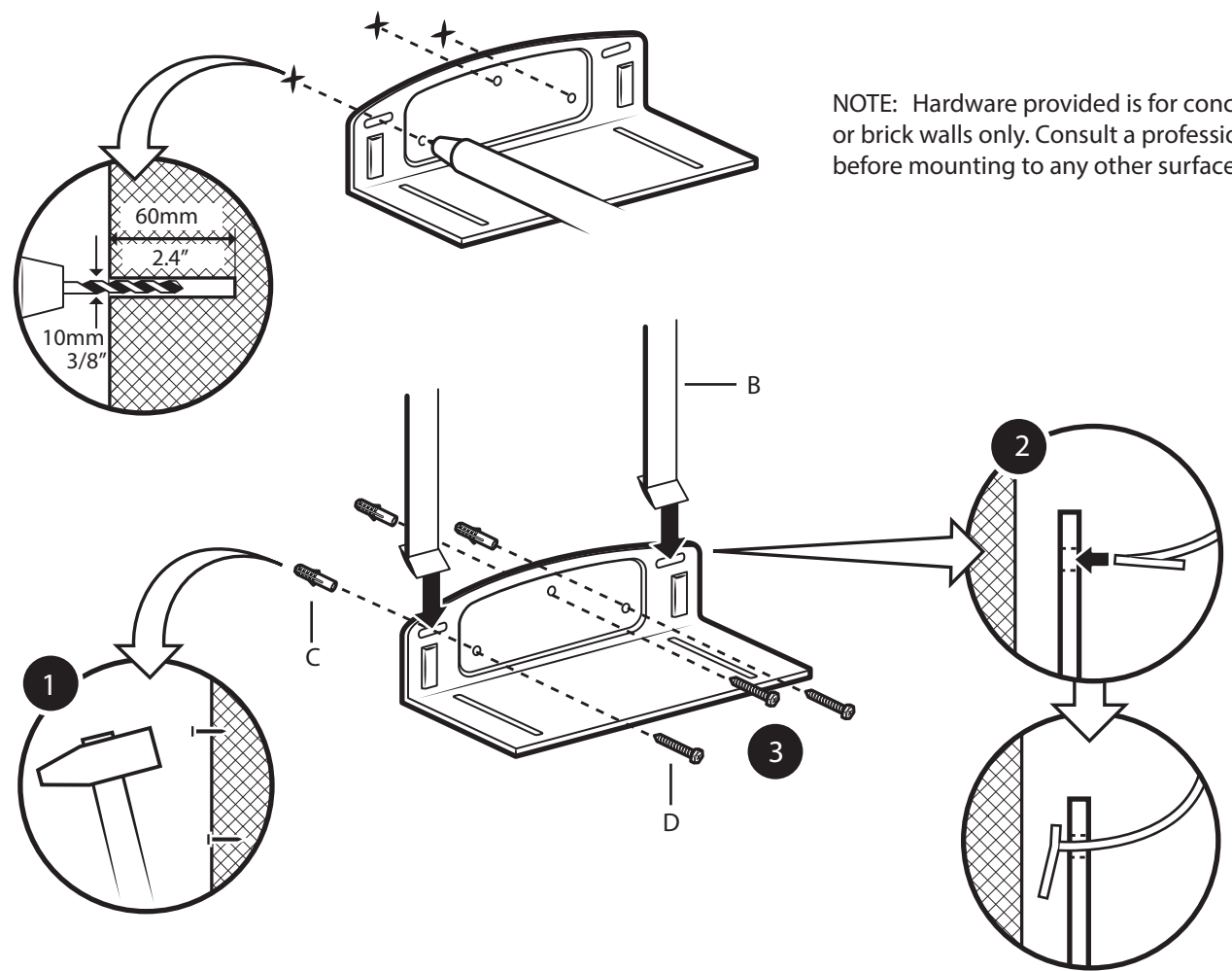


ADDITIONAL TOOLS REQUIRED

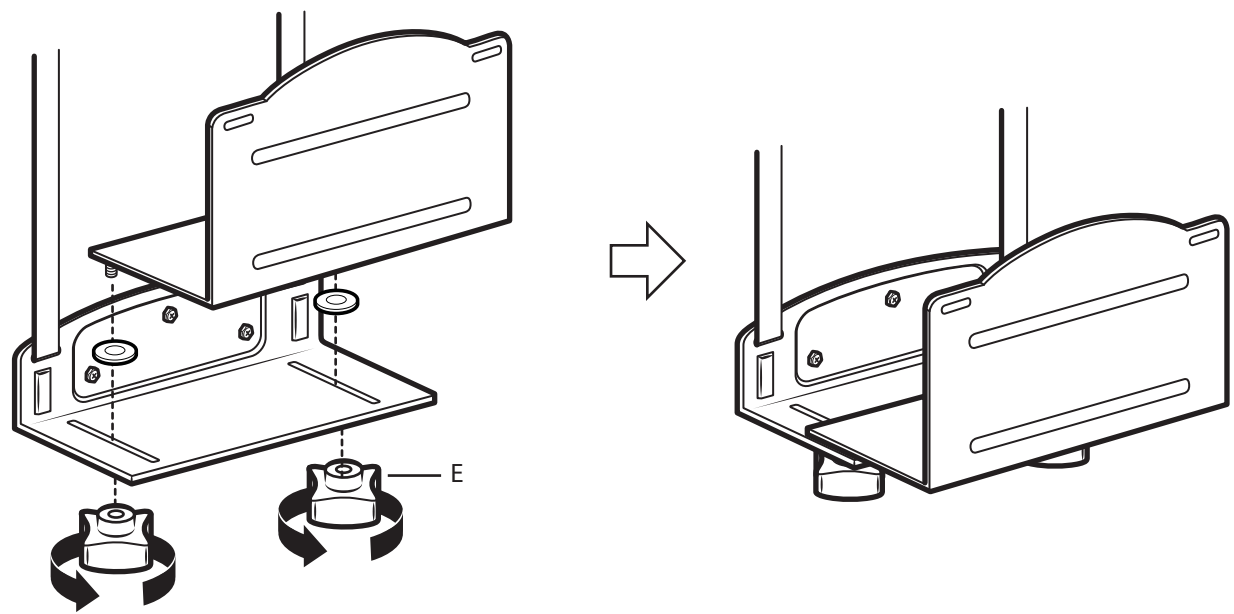
Phillips head screwdriver
3/8 inch (10mm) diameter drill bit
Power drill
Hammer



2.



3



3

