




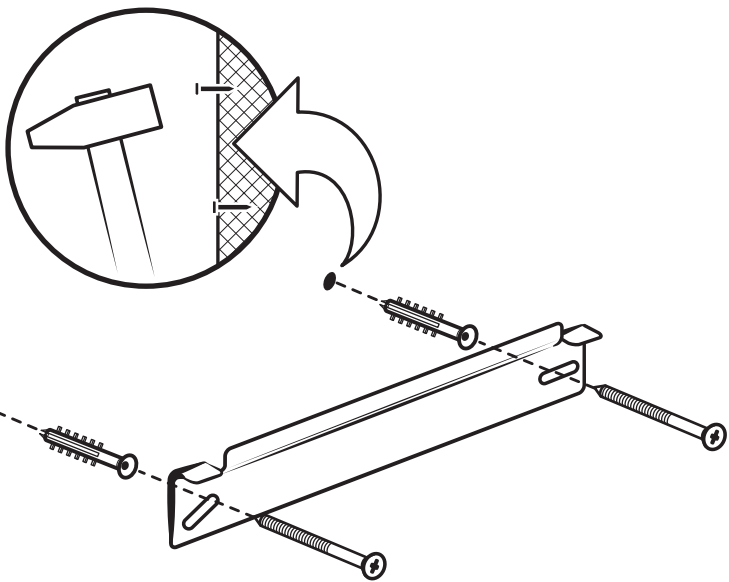
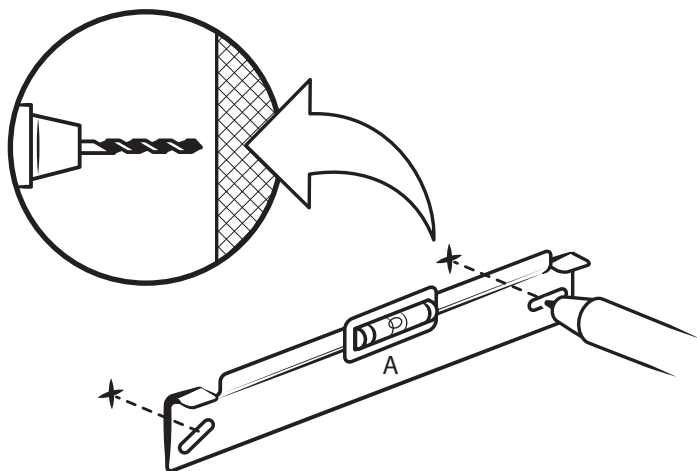


HUMANCENTRIC®

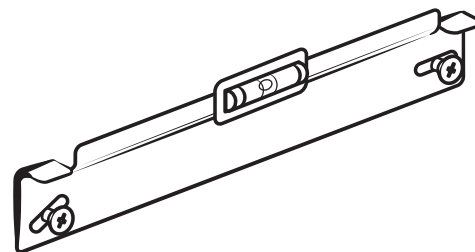
Model 101-2024

ENGLISH 	DEUTSCH 	FRANÇAIS 	ITALIANO 	ESPAÑOL 
Wall Mount for Bose® CineMate 120, SoundTouch 120, Solo 5 Soundbar	Wandhalterung für Bose® CineMate 120, SoundTouch 120, Solo 5 Soundbar	Support mural pour Bose® CineMate 120, SoundTouch 120, Solo 5 Soundbar	Supporto per montaggio a muro per Bose® CineMate 120, SoundTouch 120, Solo 5 Soundbar	Soporte de pared para Bose® CineMate 120, SoundTouch 120, Solo 5 Soundbar
Parts included	Enthaltene Teile	Pièces fournies	Parti incluse	Partes incluidas
Mounting bracket A 1 Mounting brackets B 2 Drywall screws 2 Drywall anchors 2 Level 1 Installation screws 2	Halterung A 1 Halterung B 2 Schrauben zur Wandmontage 2 Wall mounting anchors 2 Wasserwaage 1 Installationsschrauben 2	Support de fixation A 1 Support de fixation B 2 Vis pour montage mural 2 Chevilles pour montage mural 2 Niveau 1 Vis de montage 2	Staffa di supporto A 1 Staffa di supporto B 2 Viti per montaggio a muro 2 Tasselli per montaggio a muro 2 Livella 1 Viti di montaggio 2	Soporte A 1 Soporte B 2 Tornillos para montaje en pared 2 Tacos para montaje en pared 2 Nivel 1 Tornillos de instalación 2
Tools needed for installation	Für die Montage benötigen Sie	Outils nécessaires au montage	Attrezzi necessari per l'installazione	Herramientas necesarias para la instalación
Phillips head screwdriver 1/4 inch diameter drill bit Power drill Hammer	Kreuzschlitzschraubendreher Bohrer-Bit mit 1/4" Durchmesser Bohrmaschine Hammer	Tournevis Phillips Foret Ø 6.35 mm (0,25") Perceuse Marteau	Cacciavite a croce Punta trapano con diametro 0,635 cm Trapano elettrico Martello	Destornillador de cabeza Phillips Broca de 6.35 mm (0,25 pulgadas) Taladro Martillo

1

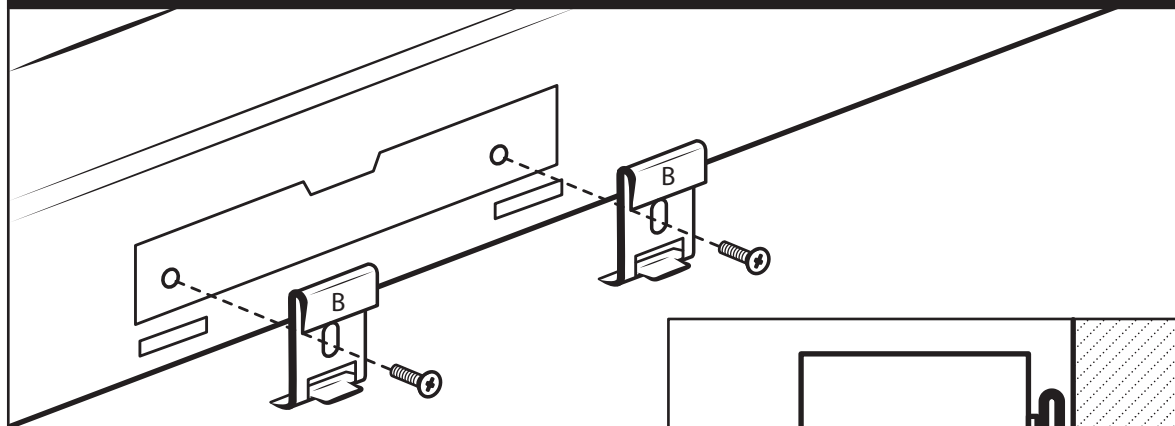


2



Note : If you need to make small leveling adjustments after drilling the holes, loosen the screws and adjust as needed.
Once the bracket is level, tighten the screws to secure the mount.

3



Note: You can slide the soundbar horizontally about 1" either way to center under the TV.

