




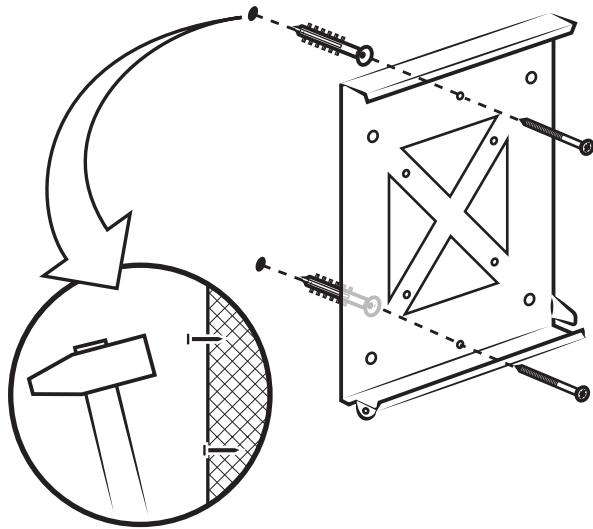
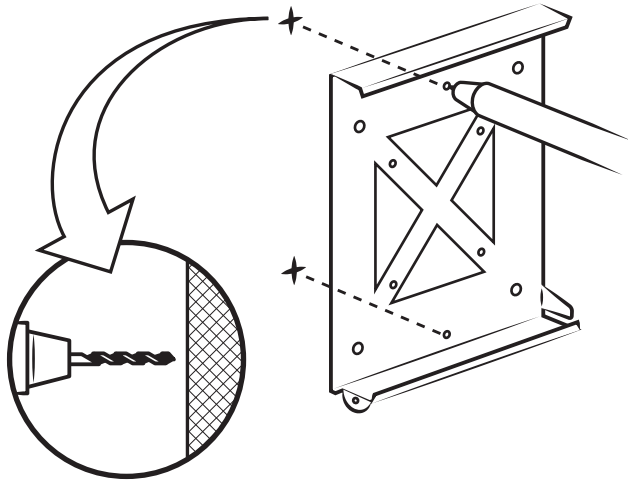


HUMANCENTRIC®

Model 101-2013-WC

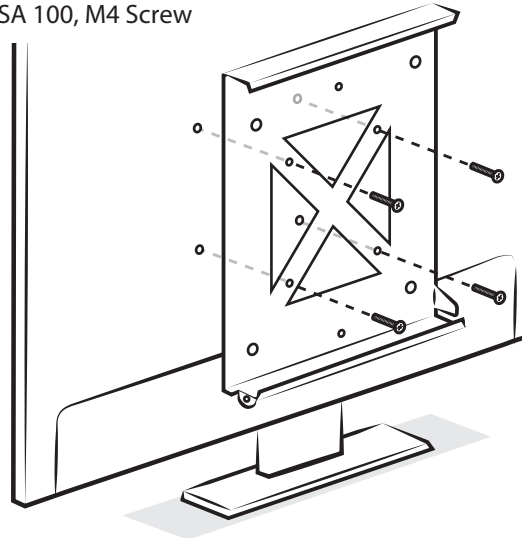
ENGLISH 	DEUTSCH 	FRANÇAIS 	ITALIANO 	ESPAÑOL 
PlayStation® 4 Slim Mount	Wandhalterung für PlayStation® 4 Slim	Support mural pour PlayStation® 4 Slim	Supporto per montaggio a muro per PlayStation® 4 Slim	Soporte de pared para PlayStation® 4 Slim
Parts included	Enthaltene Teile	Pièces fournies	Parti incluse	Partes incluidas
Mounting bracket 1	Halterung 1	Support de fixation 1	Staffa di supporto 1	Soporte 1
Drywall screws 2	Schrauben zur Wandmontage 2	Vis pour montage mural 2	Viti per montaggio a muro 2	Tornillos para montaje en pared 2
Drywall anchors 2	Dübel zur Wandmontage 2	Chevilles pour montage mural 2	Tasselli per montaggio a muro 2	Tacos para montaje en pared 2
M4 VESA Screws 4	M4 VESA-Schrauben 4	Vis M4 VESA 4	Viti M4 VESA 4	Tornillos M4 VESA 4
M6 VESA Screws 2	M6 VESA-Schrauben 2	Vis M6 VESA 2	Viti M6 VESA 2	Tornillos M6 VESA 2
Installation screw 1	Installationsschraube 1	Vis de montage 1	Vite di montaggio 1	Tornillo de instalación 1
Washer 1	Unterlegscheibe 1	Rondelle 1	Rondella 1	Arandela 1
Tools needed for installation	Für die Montage benötigen Sie	Outils nécessaires au montage	Attrezzi necessari per l'installazione	Herramientas necesarias para la instalación
Phillips head screwdriver	Kreuzschlitzschraubendreher	Tournevis Phillips	Cacciavite a croce	Destornillador de cabeza Phillips
1/4 inch diameter drill bit	Bohrer-Bit mit 1/4" Durchmesser	Foret Ø 6.35 mm (0,25")	Punta trapano con diametro 6.35 mm	Broca de 6.35 mm (0,25 pulgadas)
Power drill	Bohrmaschine	Perceuse	Trapano elettrico	Taladro
Hammer	Hammer	Marteau	Martello	Martillo

OPTION 1: WALL MOUNT

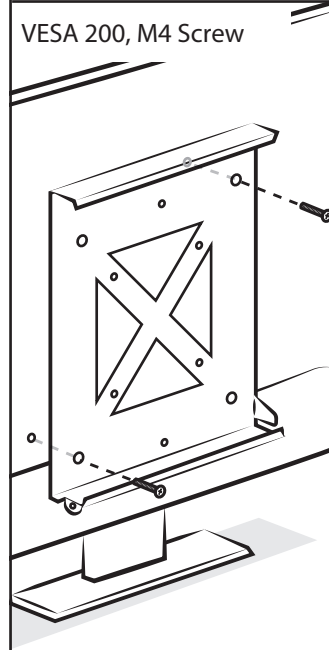


OPTION 2: VESA MOUNT

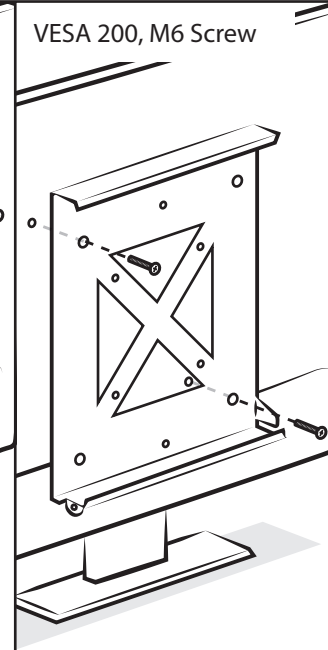
VESA 100, M4 Screw



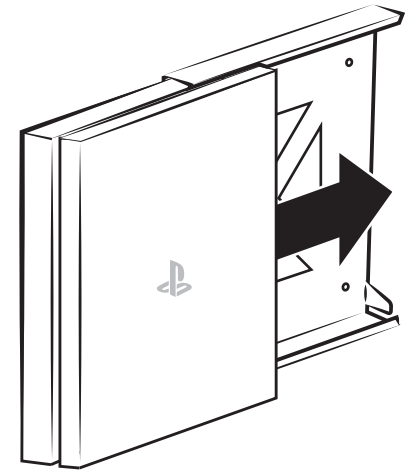
VESA 200, M4 Screw



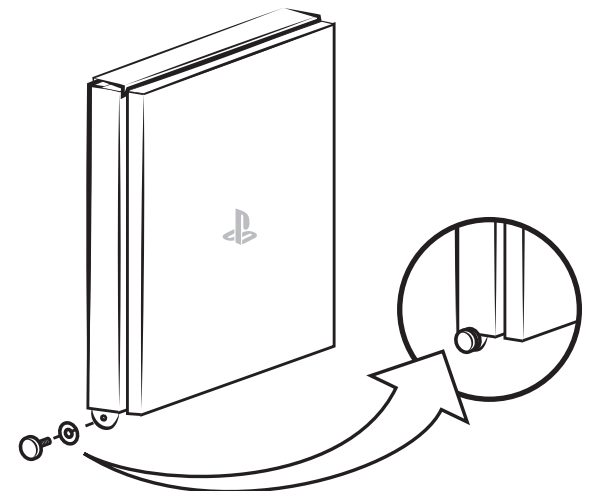
VESA 200, M6 Screw



2






3

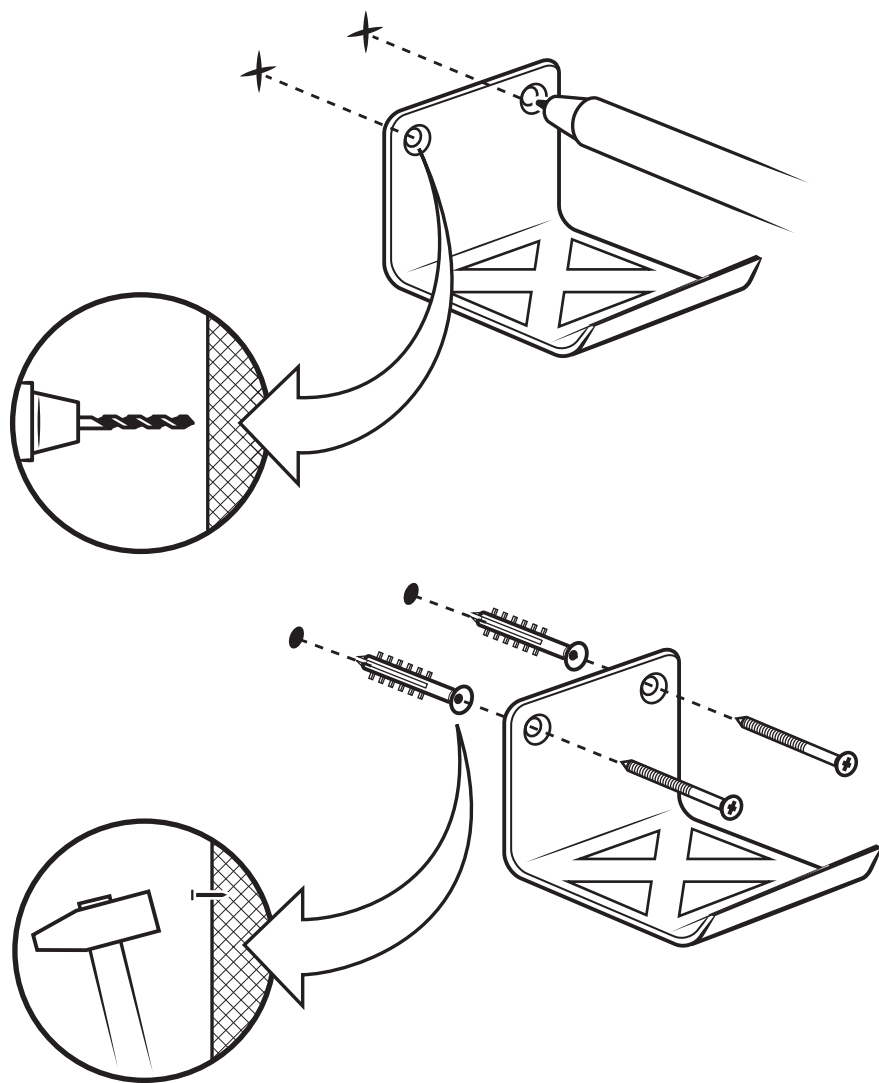


HUMANCENTRIC®

Model 101-2013-WC

ENGLISH 	DEUTSCH 	FRANÇAIS 	ITALIANO 	ESPAÑOL 
Controller Mount	Wandhalterung für Controller	Support mural pour Manette	Supporto per montaggio a muro per Controller	Soporte de pared para Mando Inalámbrico
Parts included	Enthaltene Teile	Pièces fournies	Parti incluse	Partes incluidas
Mounting bracket 2	Halterung 2	Support de fixation 2	Staffa di supporto 2	Soporte 2
Drywall screws 4	Schrauben zur Wandmontage 4	Vis pour montage mural 4	Viti per montaggio a muro 4	Tornillos para montaje en pared 4
Drywall anchors 4	Dübel zur Wandmontage 4	Chevilles pour montage mural 4	Tasselli per montaggio a muro 4	Tacos para montaje en pared 4
Tools needed for installation	Für die Montage benötigen Sie	Outils nécessaires au montage	Attrezzi necessari per l'installazione	Herramientas necesarias para la instalación
Phillips head screwdriver	Kreuzschlitzschraubendreher	Tournevis Phillips	Cacciavite a croce	Destornillador de cabeza Phillips
1/4 inch diameter drill bit	Bohrer-Bit mit 1/4" Durchmesser	Foret Ø 6.35 mm (0,25")	Punta trapano con diametro 6.35 mm	Broca de 6.35 mm (0,25 pulgadas)
Power drill	Bohrmaschine	Perceuse	Trapano elettrico	Taladro
Hammer	Hammer	Marteau	Martello	Martillo

1. INSTALL MOUNTING BRACKET



2. PLACE CONTROLLER IN THE BRACKET

