

# HUMANCENTRIC<sup>®</sup>

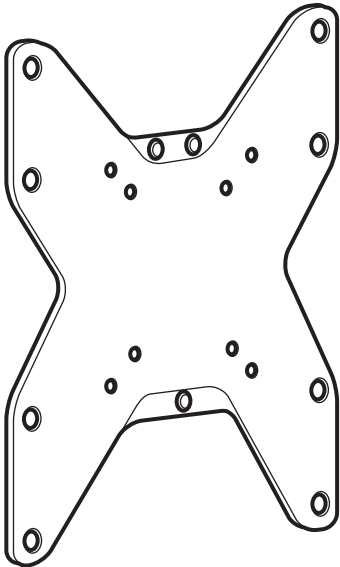
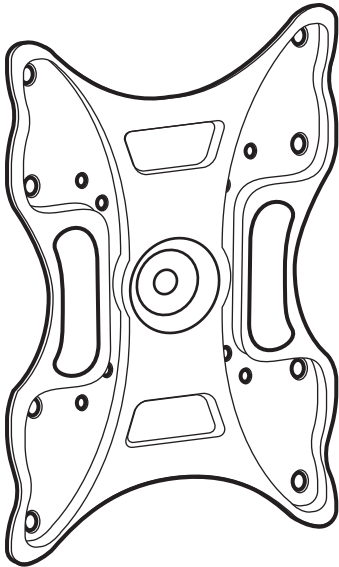
## VESA Extender from 200 x 200 to 300 x 300 or 400 x 400

Model 101-2004

[www.humancentric.com/patents](http://www.humancentric.com/patents)

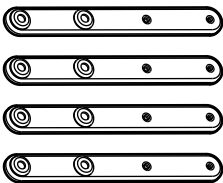





### COMPATIBILITY INFORMATION

Works with any 200 x 200 VESA mount whose mounting plate has a flat back .

Yes (metal is flat and plain)	No (is embossed or has embossed ridges)
	

### PARTS INCLUDED

*Note: Not all parts will be used in the installation. Multiple configuration options are provided to fit different TVs, and different parts are used for different configurations.*

 <p><b>A</b> VESA Extension Arms (4)</p>	 <p><b>B</b> M5 Short Screws (4)</p>  <p><b>C</b> M6 Short Screws (4)</p>	 <p><b>D</b> M6 x 30mm (4)</p>  <p><b>E</b> M8 x 30mm (4)</p>	 <p><b>F</b> Plastic Spacers (4)</p>
---	--	--	---

### ADDITIONAL TOOLS REQUIRED

Phillips Head Screwdriver

Read the entire instruction manual, including the warnings at the end of the manual, before you start installation and assembly. If you have any questions regarding any of the instructions or warnings, please contact the HumanCentric support team for assistance at [support@humancentric.com](mailto:support@humancentric.com)



### CAUTION



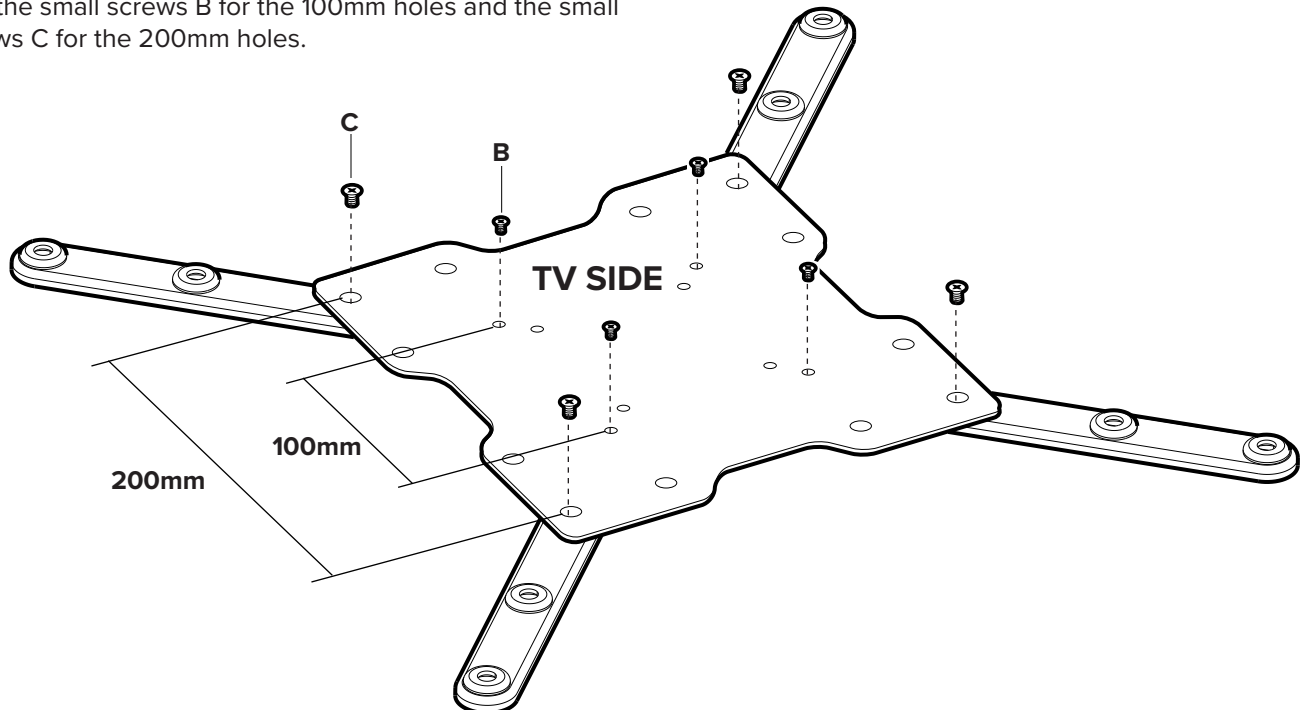
Use with products heavier than the maximum weights indicated may result in damage to the mounted devices or personal injury.

### IMPORTANT

Ensure that you have received all parts according to the parts list prior to installation. If any parts are missing or damaged, please contact the HumanCentric support team for replacements at [support@humancentric.com](mailto:support@humancentric.com)

## 1. ATTACH EXTENSION ARMS TO MOUNTING PLATE

Position the extension arm behind the mounting plate as shown, and line up the holes in the extension arm with the 200mm and 100mm VESA holes on the mounting plate. Use the small screws B for the 100mm holes and the small screws C for the 200mm holes.

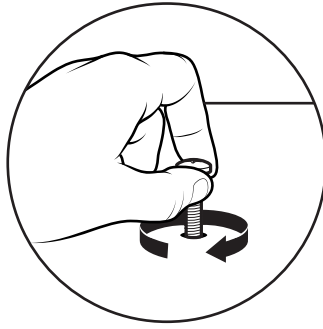


## 2. ATTACH MOUNTING PLATE TO TV

### 2A. Select Screws and Spacers

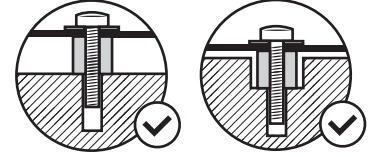
Hang tight - this step can take some trial and error to find the right combination!

First, try different size screws D and E included with the mounting kit to determine the correct screw diameter for your TV



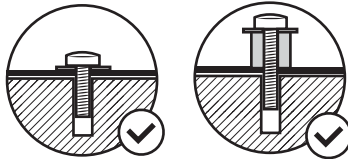
Round back

If it doesn't lay flat on the TV, then use the spacers **F** between the TV and the bracket to create a flat, even surface:



Flat back

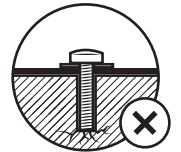
Next, lay the mounting plate on the back of the TV. If it lays flat on the back of the TV and the mounting holes are **not** inset, then the spacers (if needed for shallow holes) will go **above** the extension arms:



Ensure that you choose an appropriate length screw and spacer combination that is not too long or too short:



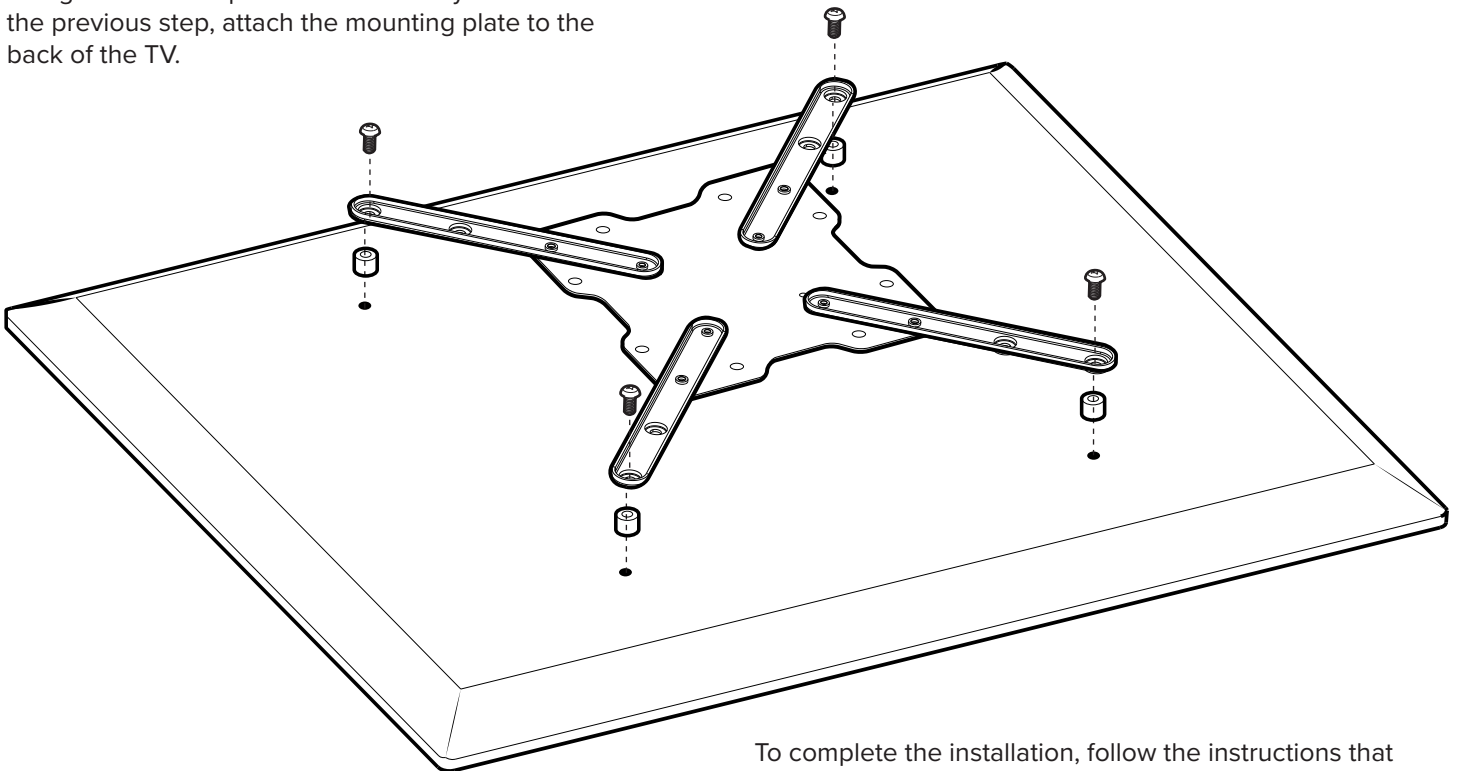
Will not hold TV



Will damage TV

### 2B. Attach Mounting Plate to TV

Using the screw / spacer combination you selected in the previous step, attach the mounting plate to the back of the TV.



To complete the installation, follow the instructions that came with your TV mount.

Any questions? Contact us at [support@humancentric.com](mailto:support@humancentric.com), and we're happy to help!



## WARNINGS



- The wall must be capable of supporting five times the weight of the device (such as a TV) and mount combined
- Mounts must be attached as specified in the instruction manual. Improper installation may result in damage or serious personal injury.
- Safety gear and proper tools must be used. This product should only be installed by those with the necessary skills to install the hardware. If you do not have the necessary skills, installation should be handled by a professional.
- Use the mounting screws provided and do not over-tighten the mounting screws
- This product contains small items that can be a choking hazard if swallowed. Keep these items away from children.
- Do not use this product for any purpose not explicitly specified by manufacturer
- This product is intended for indoor use only. Using this product outdoors could lead to product failure or personal injury.
- Manufacturer is not responsible for damage or injury caused by incorrect assembly or use.
- Check that the mount is secure and safe to use at regular intervals (at least every three months).

HumanCentric intends to make this manual accurate and complete. However, HumanCentric makes no claim that the information contained herein covers all details, conditions, or variations. Nor does it provide for every possible contingency in connection with the installation or use of this product. The information contained in this document is subject to change without notice or obligation of any kind. HumanCentric makes no representation of warranty, expressed or implied, regarding the information contained herein. HumanCentric assumes no responsibility for accuracy, completeness or sufficiency of the information contained in this document.