

Model 101-1065

Full product specifications: [www.humancentric.com/101-1065](http://www.humancentric.com/101-1065)

Need help? Contact support: [support@humancentric.com](mailto:support@humancentric.com)



### WARNING



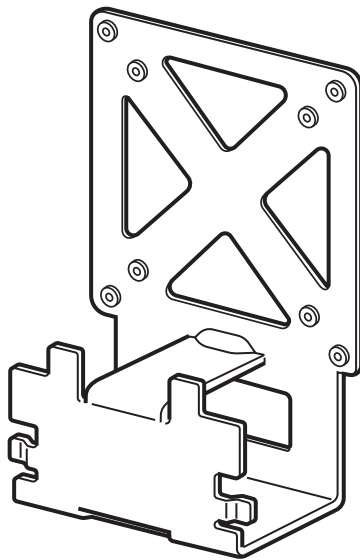
To reduce the risk of injury to persons, read all instructions carefully. HumanCentric assumes no responsibility for personal injury or property damage sustained by or through the use of this product.

1. Read all instructions carefully.
2. Incorrect installation may lead to damages or serious injury. Ensure the product and monitor are secure before use.
3. Make sure the monitor mount that this product will be mounted to can support the combined weight of the monitor and adapter.

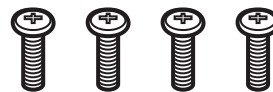
### ADDITIONAL TOOLS REQUIRED

Phillips Screw Driver

### PARTS INCLUDED



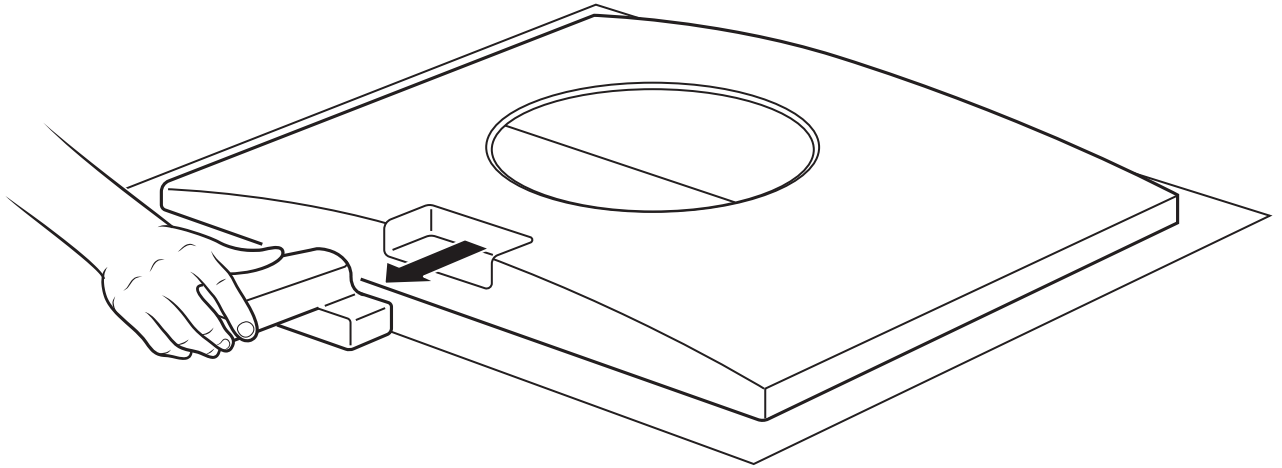
**A (x1)**  
**VESA Adapter Plate**



**B (x4)**  
**M4 x 12mm Panhead Screw**

1

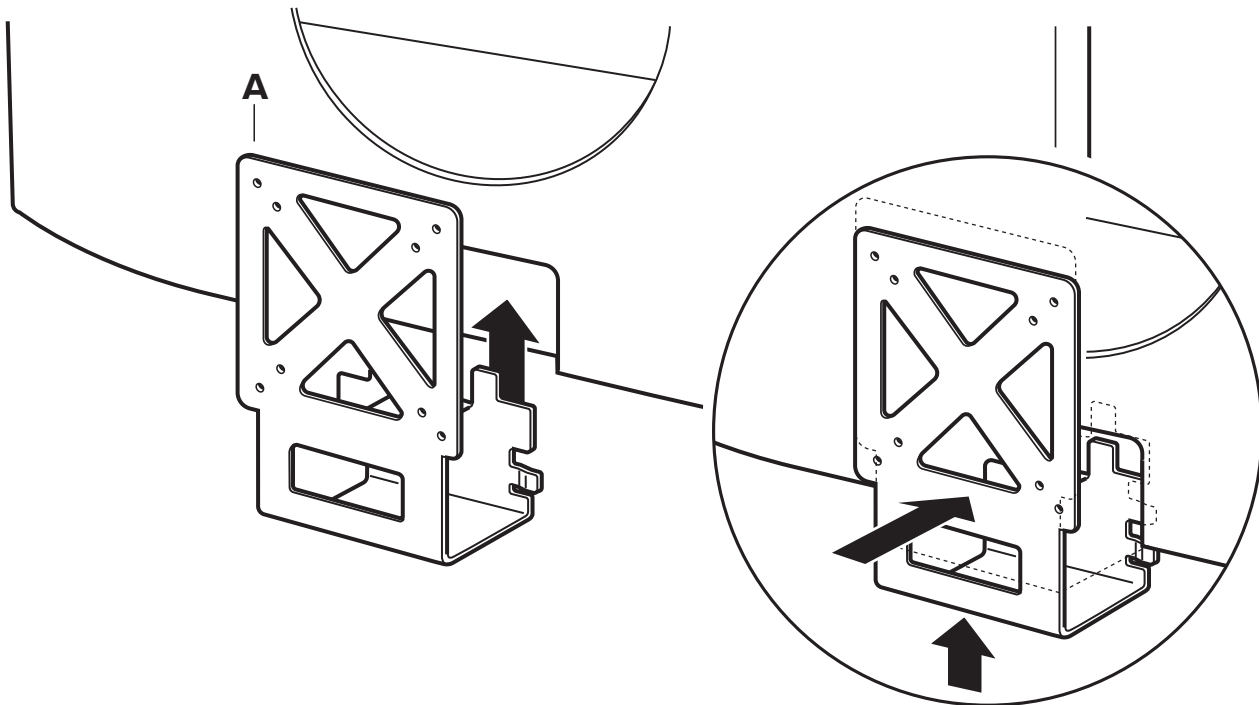
Remove the stand from the back of the monitor.



**Note:** The monitor stand must be pulled out of the monitor. Do not attempt to remove any screws to disassemble the monitor stand neck or to detach it from monitor.

2

Slide the adapter into the back of the monitor from the bottom. Right before engagement, press the adapter into the monitor to compress the springs in the monitor recess. This ensures proper engagement. Slide the adapter until the bottom is flush with the bottom of the monitor.



Mount the monitor to your VESA Mount using four panhead screws (B).

