

VESA Adapter for LG Monitors

24MP58VQ, 24MP58VQ-P, 24MP59HT, 24MP59HT-P, 24MP60VQ,
27MP58VQ, 27MP58VQ-P

www.humancentric.com/patents

Model 101-1061

Full product specifications: www.humancentric.com/101-1061

Need help? Contact support: support@humancentric.com



WARNING



To reduce the risk of injury to persons, read all important precautions and warnings listed below. HumanCentric assumes no responsibility for personal injury or property damage sustained by or through the use of this product:

Do not hang anything other than the specified monitor on this mount. Exceeding the weight capacity could result in injury or property damage.

Read all instructions carefully.

Incorrect installation may lead to damages or serious injury. Ensure that the product and monitor are secure before use.

ADDITIONAL TOOLS REQUIRED

Phillips Head Screwdriver

PARTS INCLUDED



(A) VESA Adapter Bracket (x1)



(B) M4 x 12mm Screw (x6)



(D) M4 Washer (x4)



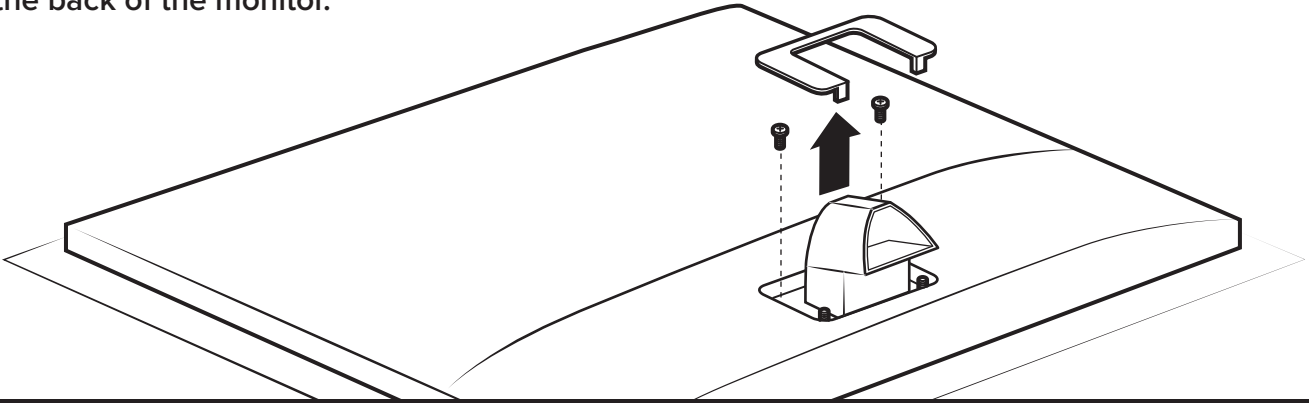
(C) M4 x 30mm Screw (x2)



(E) M4 Standoff (x2)

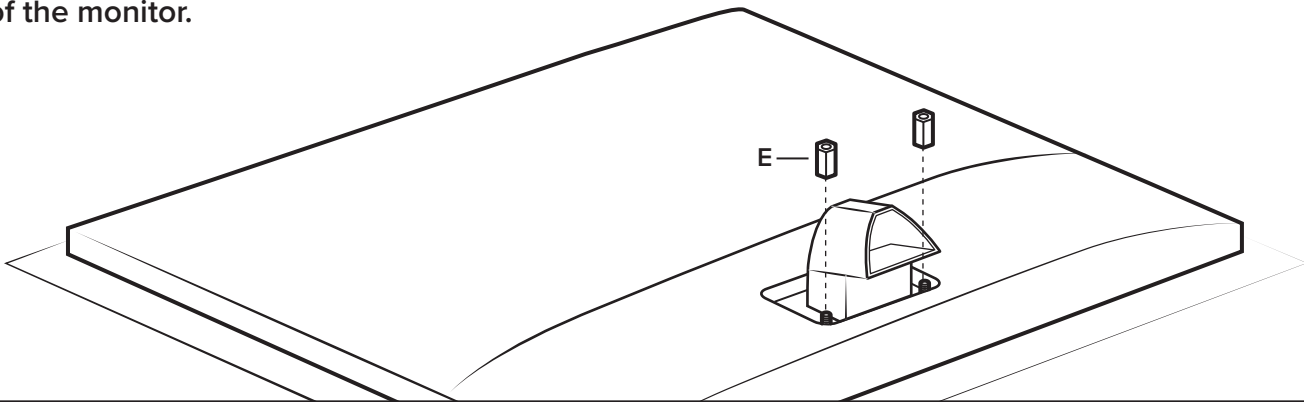
1.

Remove the cover and two screws off the back of the monitor.



2.

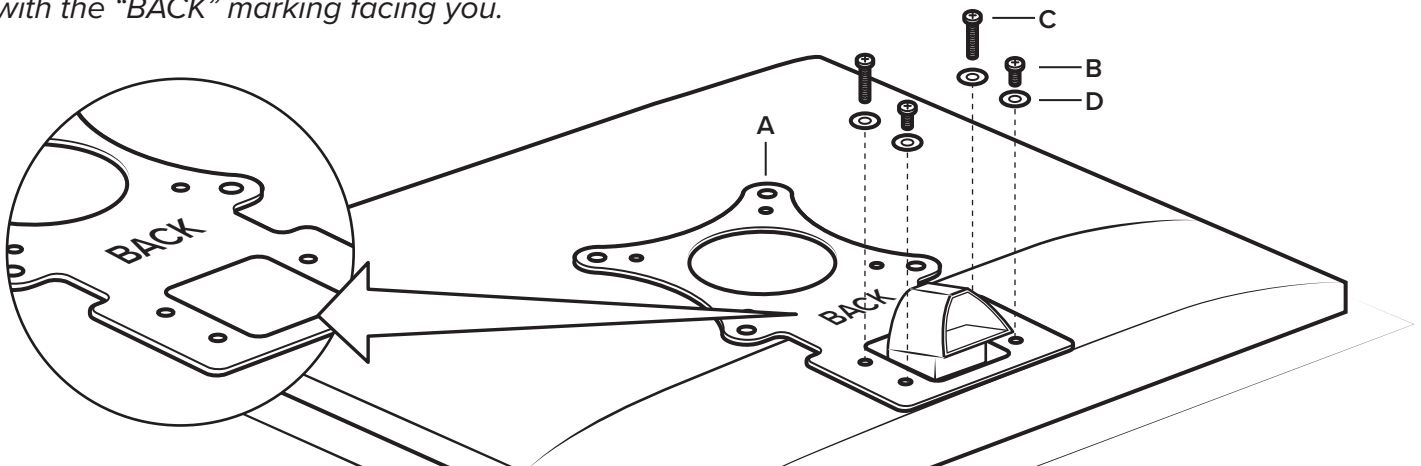
Assemble two M4 standoffs(E) into the back of the monitor.



3.

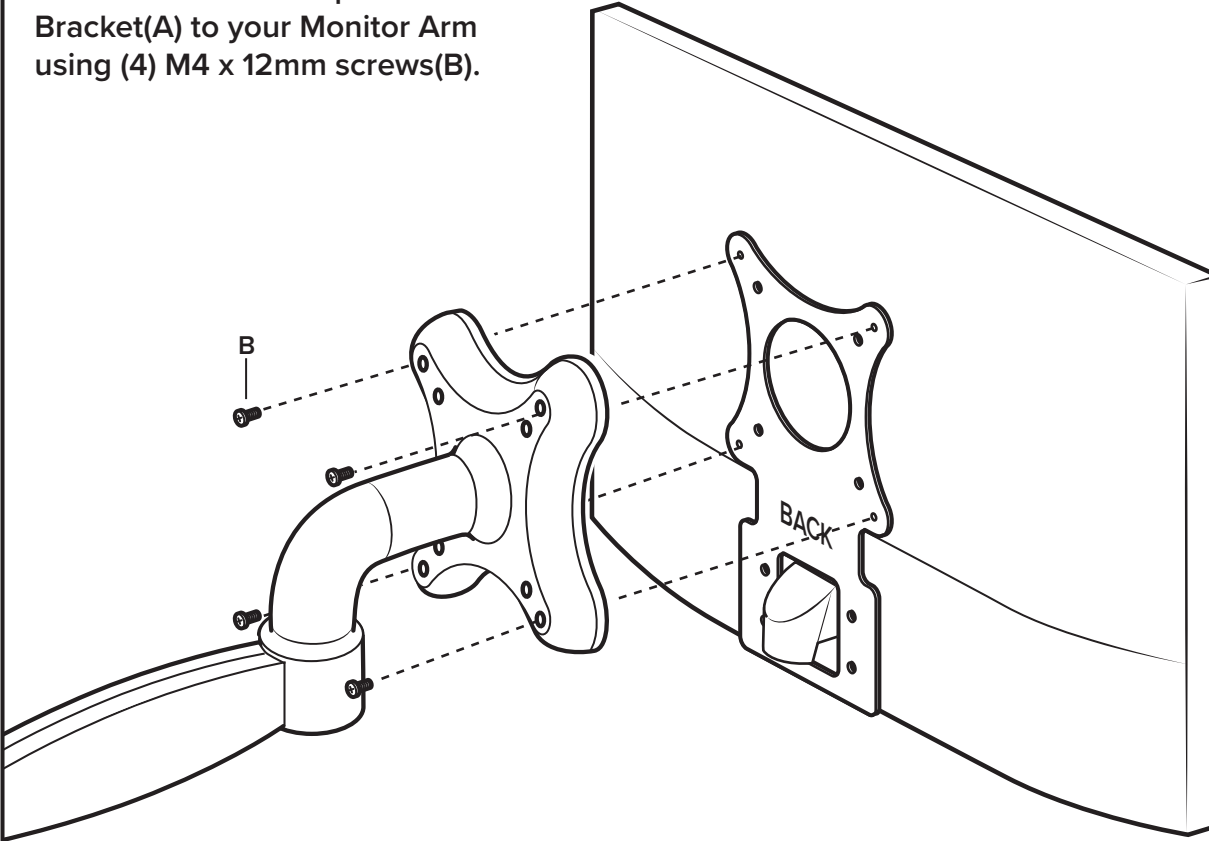
Screw the bracket onto the back of the monitor using two M4 x 30 mm screws(C), two M4 x 12 mm screws(B), and four M4 washers(D).

Important: Attach the adapter to the monitor with the “BACK” marking facing you.



4.

Mount the VESA Adapter Bracket(A) to your Monitor Arm using (4) M4 x 12mm screws(B).



Note: It is best to use the screws that came with your monitor arm. If you don't have these available, we have provided VESA standard screws for your convenience.