



## VESA Mount Adapter for HP 32f

[www.humancentric.com/patents](http://www.humancentric.com/patents)

Model 101-1058

Full product specifications: [www.humancentric.com/101-1058](http://www.humancentric.com/101-1058)

Need help? Contact support: [support@humancentric.com](mailto:support@humancentric.com)








### WARNING

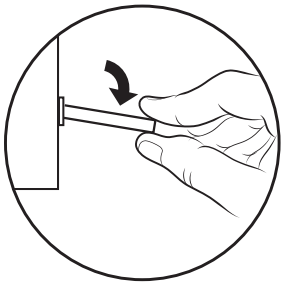
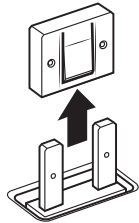
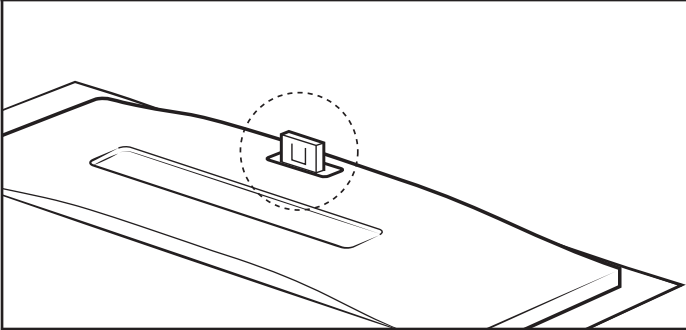


To reduce the risk of injury to persons, read all important precautions and warnings listed below. HumanCentric assumes no responsibility for personal injury or property damage sustained by or through the use of this product:

1. Read all instructions carefully.
2. Incorrect installation may lead to damage or serious injury. Ensure the product is secured before use.
3. If using a VESA stand or VESA arm, ensure it can support the combined weight of the bracket, monitor, and any mounted devices.

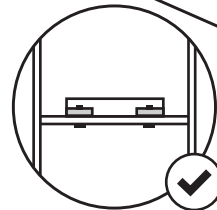
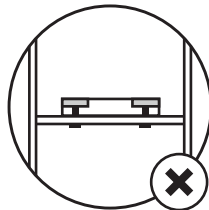
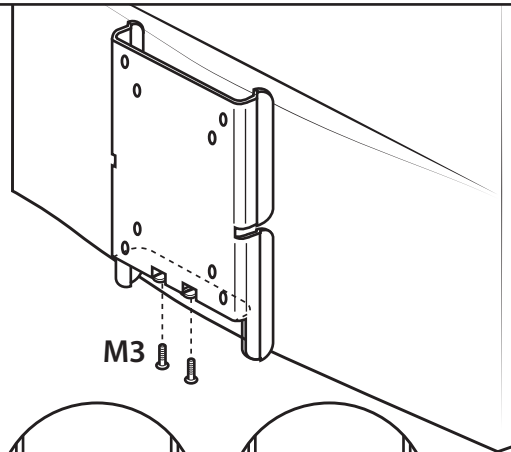
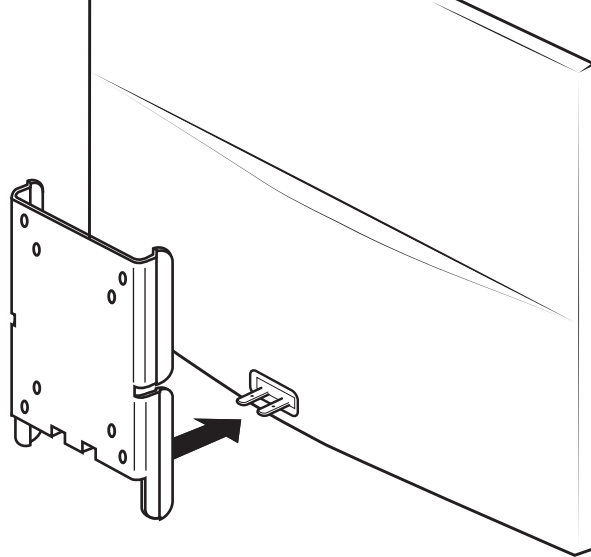
| ENGLISH   | DEUTSCH   | FRANÇAIS    | ITALIANO    | ESPAÑOL   |
|--|--|--|--|--|
| VESA Mount Adapter for HP 32f  | VESA Montageadapter für HP 32f   | Adaptateur de monture VESA pour les écrans HP 32f  | Adattatore VESA per monitor HP 32f   | Adaptador de montaje VESA para monitores HP 32f  |
| <b>Parts included</b>  | <b>Enthaltene Teile</b>  | <b>Pièces fournies</b>   | <b>Parti incluse</b>   | <b>Partes incluidas</b>  |
| Mounting bracket ..... 1<br>M3 screws ..... 2<br>M4 screws ..... 4   | Halterung ..... 1<br>Installationsschrauben ..... 2<br>VESA Befestigungsschrauben 4  | Support de fixation ..... 1<br>Vis de montage ..... 2<br>Vis de fixation VESA ..... 4  | Staffa di supporto ..... 1<br>Viti di montaggio ..... 2<br>Viti di montaggio VESA ..... 4  | Soporte ..... 1<br>Tonrillos de instalación ..... 2<br>Tornillos de montaje VESA ..... 4   |
| <b>Tools needed for installation</b>   | <b>Für die Montage benötigen Sie</b>   | <b>Outils nécessaires au montage</b>   | <b>Attrezzi necessari per l'installazione</b>  | <b>Herramientas necesarias para la instalación</b>   |
| Phillips head screwdriver (standard and longsize)<br>A friend to help you hold the monitor (recommended)                             | Kreuzschlitzschraubendreher<br>Jemanden, der Ihnen beim Halten des Monitors hilft  | Tournevis Phillips<br>Une personne pour vous aider à tenir l'écran (recommandé)  | Cacciavite a croce<br>Per il montaggio si consigliato di farsi aiutare da una seconda persona  | Destornillador de cabeza Phillips<br>Alguien que sujete el monitor (recomendado)   |
| <b>Compatible with models</b>  | <b>Kompatibel mit Modellen</b>   | <b>Compatible avec les modèles</b>   | <b>Modelli compatibili</b>   | <b>Compatibilidad con los modelos</b>  |
| <b>Fits HP 32f</b><br>Additional models may also be compatible. Check our online listings for the most recent compatibility updates. | <b>Fits HP 32f</b><br>Kann auch für weitere Modelle geeignet sein. In unseren Online-Listings finden Sie die aktuellsten Listen kompatibler Modelle. | <b>Fits HP 32f</b><br>D'autres modèles peuvent également être compatibles. Vérifiez en ligne les dernières mises à jour en terme de compatibilité. | <b>Fits HP 32f</b><br>Potrebbero essere compatibile anche con altri modelli. Consulta il nostro listino online per aggiornarti su tutti i nuovi modelli compatibili. | <b>Fits HP 32f</b><br>Otros modelos también pueden ser compatibles. Comprueba nuestros productos online para conocer las actualizaciones más recientes en cuanto a compatibilidad. |

1



**Note:** Push the tab as far as you can downwards.

2



3

