



INFINITY 50

THERMAL MONOCULAR
TM50

OWNER'S MANUAL



DISCOVER **THE UNSEEN.**

TABLE OF CONTENTS

PAGE 1 ABOUT INFINITY 50

PAGE 2 NOTES

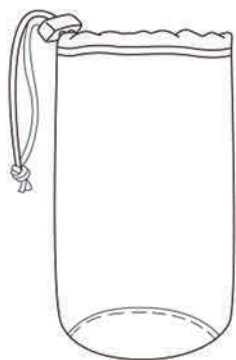
PAGE 3-5 QUICK START

PAGE 6 QUICK START GRID

PAGE 7 TROUBLESHOOTING

PAGE 8 SPECIFICATIONS

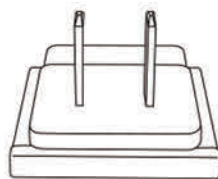
PACKAGE CONTENTS



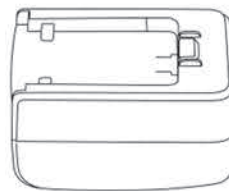
BAG



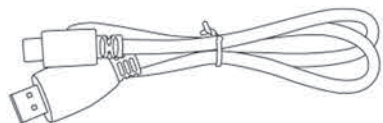
18650 CELL



PLUG



POWER ADAPTER



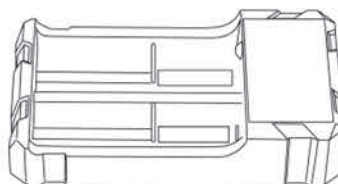
MICRO USB CABLE



VIDEO CABLE



WRIST STRAP

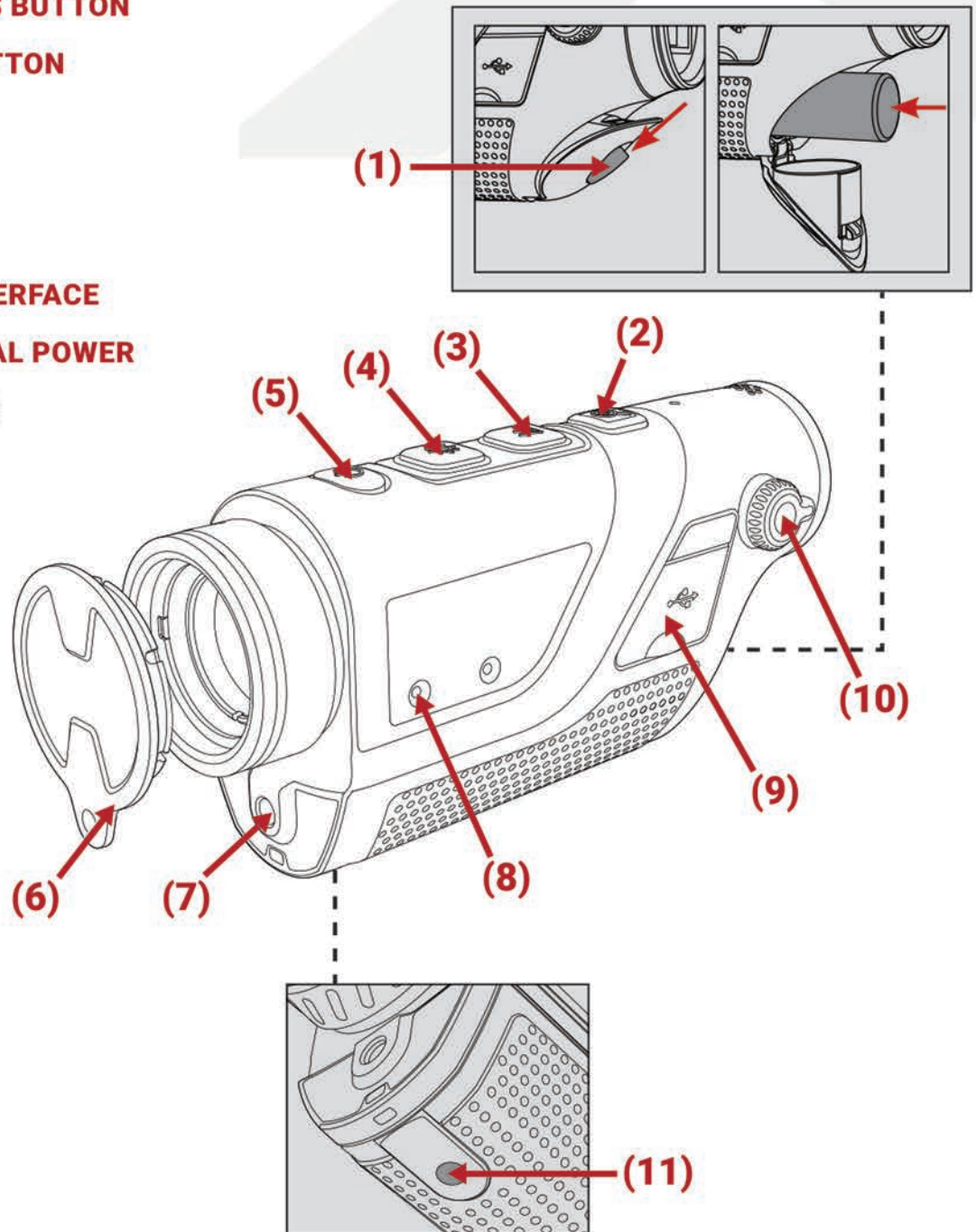


18650 CHARGER

ABOUT INFINITY 50

VISION
OPTICS

- (1) BATTERY COVER BUTTON
- (2) ZOOM-IN BUTTON
- (3) COLOR PALETTES BUTTON
- (4) BRIGHTNESS BUTTON
- (5) POWER BUTTON
- (6) LENS COVER
- (7) LASER
- (8) PERIPHERAL INTERFACE
- (9) VIDEO & EXTERNAL POWER
- (10) DIOPTRER FOCUS
- (11) TRIPOD PORT



NOTES

DANGER

- 1) FOLLOW THE CHARGING PROCEDURES AND PRECAUTIONS AS OUTLINED IN THE GUIDE. IMPROPER CHARGING MAY CAUSE OVERHEATING, DAMAGE, AND EVEN PERSONAL INJURY.
- 2) DO NOT TRY TO OPEN OR DISASSEMBLE THE CELL AT ANY TIME. IF LIQUID FROM CELL LEAKAGE TOUCHES THE EYES, RINSE WITH CLEAN WATER AT ONCE AND SEEK MEDICAL CARE.

WARNING

- 1) PLEASE KEEP THE DEVICE AS STABLE AS POSSIBLE, AVOID VIOLENT SHAKING.
- 2) DO NOT USE OR STORE THE DEVICE IN AN ENVIRONMENT WITH TEMPERATURES HIGHER THAN 140 °F (60°C).
- 3) DO NOT EXPOSE THE DEVICE DIRECTLY TO HIGH-INTENSITY HEAT RADIATION SOURCES, SUCH AS THE SUN, LASER, SPOT WELDING MACHINE, ETC.
- 4) DO NOT BLOCK THE HOLES ON THE DEVICE.
- 5) TO AVOID DAMAGE, DO NOT HIT, THROW, OR VIBRATE THE DEVICE AND ITS ACCESSORIES.
- 6) DO NOT DISASSEMBLE THE UNIT; THIS MAY CAUSE DAMAGE TO THE DEVICE AND VOID THE WARRANTY.
- 7) DO NOT USE SOLVENTS OR SIMILAR LIQUIDS ON THE DEVICE AND CABLES AS THEY MAY CAUSE DAMAGE TO THE DEVICE.
- 8) PLEASE OBSERVE THE FOLLOWING RULES WHEN CLEANING THIS DEVICE:
 - NON-OPTICAL SURFACE: IF NECESSARY, USE A SOFT, CLEAN CLOTH TO WIPE THE NON-OPTICAL SURFACE OF THE THERMAL IMAGING SCOPE.
 - OPTICAL SURFACE: AVOID SOILING THE OPTICAL SURFACE OF THE LENS. DO NOT TOUCH THE LENS WITH YOUR HANDS. THE OPTICAL COATING ON THE GLASS SURFACE MAY CORRODE DUE TO OILS AND MOISTURE ON YOUR HANDS. USE A PROFESSIONAL LENS CLOTH TO CAREFULLY CLEAN OPTICAL LENS SURFACE IF IT BECOMES CONTAMINATED.
- 9) DO NOT PLACE THE CELL IN HIGH TEMPERATURE ENVIRONMENTS OR NEAR HIGH TEMPERATURE OBJECTS.
- 10) DO NOT SHORT-CIRCUIT THE POSITIVE AND NEGATIVE TERMINALS OF THE CELL.
- 11) DO NOT PLACE THE CELL IN A HUMID ENVIRONMENT OR IN WATER.

MORE NOTES

- 1) DO NOT EXPOSE THE DEVICE TO DUST OR MOISTURE. WHEN USED IN AN ENVIRONMENT WITH WATER, AVOID SPLASHING WATER ON THE DEVICE. COVER THE LENS WHEN NOT IN USE.
- 2) WHEN NOT IN USE, PLACE THE DEVICE AND ALL ACCESSORIES IN THE SPECIAL CARRYING CASE.

QUICK START (1)

1) LENS COVER

PLEASE COVER THE LENS TO PROTECT THE LENS WHEN THE PRODUCT IS NOT IN USE.

2) USB TYPE-C PORT

THE EXTERNAL PORT WITH USB CABLE CAN BE CONNECTED TO THE EXTERNAL POWER SUPPLY TO CHARGE THE PRODUCT. THE OUTPUT OF THE EXTERNAL POWER SUPPLY IS 5V2A. THE IMAGES FROM THE THERMAL IMAGING CAMERA CAN ALSO BE OUTPUT TO THE EXTERNAL MONITOR FOR DISPLAY BY CONNECTING THE DISPLAY WITH THE SUPPORTING VIDEO CABLE.

3) BATTERY COVER

WHEN THE BATTERY OF THE PRODUCT IS USED, IT IS THE INLET FOR DISASSEMBLING AND INSTALLING THE CELL. PRESS THE BUTTON ON THE CELL COVER AND SLIDE DOWN AND OPEN THE CELL COVER, AND INSTALL THE CELL ACCORDING TO THE ANODE AND CATHODE MARKS.

NOTE: PLEASE INSERT THE CELL IN THE DIRECTION SHOWN IN THE FIGURE, AND DO NOT PUSH THE CELL FORCIBLY.

4) TRIPOD PORT

1/4-INCH STANDARD PORT, WHICH CAN SUPPORT PAN/TILT.

5) POWER BUTTON

POWER ON

LONG PRESS AND HOLD THE POWER BUTTON UNTIL THE STARTUP PICTURE APPEARS IN THE EYEPIECE, THEN THE DEVICE CAN BE SWITCHED ON SUCCESSFULLY.

POWER OFF

MANUAL POWER-OFF: LONG PRESS AND HOLD THE POWER BUTTON, THE POWER-OFF PROGRESS BAR WILL BE DISPLAYED, AND THE POWER-OFF SUCCEEDS AFTER THE PROGRESS BAR IS FINISHED. **AUTOMATIC POWER-OFF:** IN THE SET AUTOMATIC POWER-OFF TIME, WITHOUT ANY BUTTON OPERATION, THE AUTOMATIC POWER-OFF SUCCEEDS.

DISPLAY OFF

PRESS AND HOLD THE POWER BUTTON, THE PROGRESS BAR OF POWER-OFF WILL BE DISPLAYED. BEFORE THE PROGRESS BAR IS FINISHED, THE POWER-OFF WILL BE CANCELED AND THE DISPLAY OFF MODE WILL BE ENTERED

DISPLAY ON

IN DISPLAY OFF MODE, PRESS ANY BUTTON TO WAKE THE SCREEN.

CALIBRATION

WHEN IT IS TURNED ON AND THE MENU IS OUT OF THE STATE, SHORT-PRESS THE POWER ON/OFF BUTTON TO COMPLETE THE CORRESPONDING CALIBRATION ACTION.

QUICK START (2)

6) BRIGHTNESS BUTTON

ADJUST SCREEN BRIGHTNESS

SHORT PRESS THE BRIGHTNESS BUTTON TO SWITCH TO THE SCREEN BRIGHTNESS.

FOCUS FAR

LONG PRESS AND HOLD IT TO FOCUS FAR.

7) COLOR PALETTES BUTTON

SWITCH TO COLOR PALETTES

SHORT PRESS IT TO SWITCH TO WHITE HOT/BLACK HOT, RED HOT/IRON RED, AND BLUE HOT.

MENU

LONG PRESS AND HOLD THE COLOR PALETTES BUTTON TO ENTER THE MENU. WHEN THE MENU IS CALLED UP, SHORT PRESS THE MENU TO CONFIRM THE CURRENT OPTION AND RETURN TO THE PREVIOUS MENU. LONG PRESS AND HOLD THE MENU TO RETURN OR EXIT THE MENU WITHOUT SAVING THE CURRENT SETTINGS.

8) ZOOM-IN BUTTON

ZOOM-IN

WHEN THE DEVICE IS TURNED ON AND THE MENU IS NOT CALLED UP, SHORT PRESS THE BUTTON TO SWITCH TO MAGNIFICATION AND PIP.

FOCUS NEAR

LONG PRESS AND HOLD IT TO FOCUS NEAR.

NOTE: AFTER THE THERMAL IMAGING CAMERA IS TURNED ON, IT SHALL BE AIMED AT THE TARGET. WHEN THE DISTANCE BETWEEN THE OBSERVATION TARGET CHANGES, THE IMAGE MAY BE BLURRED. PRESS THE BRIGHTNESS BUTTON /ZOOM-IN BUTTON TO FOCUS FAR/NEAR UNTIL THE TARGET IMAGE IS CLEAR.

9) VIDEO OUTPUT

IT CAN BE TURNED ON OR OFF.

10) WIFI

THE WIFI CAN BE USED TO TRANSMIT REAL-TIME VIDEO TO THE MOBILEPHONE AFTER THE MOBILEPHONE APP IS CONNECTED TO THE DEVICE, AND THE DEVICE CAN BE OPERATED THROUGH THE APP.

11) LASER CURSOR

RED, YELLOW AND BLUE LASER CURSORS CAN BE SWITCHED ON OR OFF.

NOTE: SEARCH AND DOWNLOAD 'TARGETIR' APP IN THE MOBILE PHONE APP STORE, OPEN THE APP, FIND THE WIFI NAME 'HANDHELD-TI-XXXX' IN THE SETTINGS OF MOBILE PHONE WIFI, AND ENTER THE PASSWORD '12345678', REMOTE OPERATION AFTER SUCCESSFUL CONNECTION.

QUICK START (3)

11) ADJUSTMENT IMAGE ENHANCEMENT

WHEN THE IMAGE ENHANCEMENT IS ENABLED, IT CAN ENHANCE THE EFFECT OF HIGHLIGHTING THE TARGET.

12) HOT TRACK

A WHITE CROSS CURSOR IS DISPLAYED WHEN IT IS TURNED ON TO TRACE THE HIGHEST TEMPERATURE POINT IN THE FULL IMAGE.

13) SCENE MODE

THREE SCENE MODES, NATURAL/ENHANCED/HIGHLIGHT, CAN BE SET.

14) AUTO STAND-BY

THE AUTO STAND-BY TIME CAN BE SET TO 5/10/15 MIN. IF THERE IS NO OPERATION WITHIN THE SET TIME, THE SLEEP STATE WILL BE ENTERED.

15) AUTOMATIC POWER-OFF

THE AUTOMATIC POWER-OFF TIME CAN BE SET TO 15/30/60 MINUTES. IF THERE IS NO BUTTON OPERATION AT THE SET TIME, THE POWER-OFF WILL BE ENTERED, AND THE POWER-OFF WILL BE COMPLETED.

16) BLUETOOTH

IT CAN BE SET, AND AFTER IT IS TURNED ON, THE DEVICE CAN BE CONTROLLED BY THE BLUETOOTH REMOTE CONTROLLER.

17) WORKING INDICATOR LAMP

IT CAN BE TURNED ON OR OFF.

RETICLE PARAMETERS

BUTTON	CURRENT DEVICE STATUS	SHORT PRESS	LONG PRESS
POWER BUTTON	POWER ON (MENU BAR NOT SHOWN)	CALIBRATION	DISPLAY OFF/OFF
	POWER ON	----	POWER ON
BRIGHTNESS BUTTON	MENU BAR NOT SHOWN	SWITCH DISPLAY BRIGHTNESS	FOCUS FAR
	MENU BAR DISPLAY	TOGGLE OPTIONS	----
COLOR PALETTES BUTTON	MENU BAR NOT SHOWN	SWITCH TO COLOR PALETTES	ENTER MENU
	MENU BAR DISPLAY	CONFIRM THE CURRENT OPTION AND RETURN TO THE PREVIOUS MENU AT THE SAME TIME.	DO NOT SAVE THE CURRENT SETTINGS AND RETURN OR EXIT THE MENU.
ZOOM-IN BUTTON	MENU BAR NOT SHOWN	SWITCH TO ZOOM-IN	FOCUS NEAR
	MENU BAR DISPLAY	MOVE MENU	----

TROUBLESHOOTING

THE DEVICE FAILS TO START

REPLACE THE CELL OR CONNECT THE ADAPTER FOR CHARGING.

THE SCREEN GOES OUT DURING USE

SHORT PRESS ANY BUTTON TO WAKE UP SCREEN FROM SLEEP.

THE IMAGE OF THE DEVICE IS BLURRED DURING USE

LONG PRESS AND HOLD THE BRIGHTNESS BUTTON OR ZOOM-IN BUTTON FOR FOCUSING UNTIL THE DISPLAY IS CLEAR.

STORAGE + TRANSPORT

THE FOLLOWING IS PROPER STORAGE AND TRANSPORTATION PROCEDURES OF THE PRODUCT. TO PREVENT DANGER, PROPERTY LOSS, ETC, PLEASE READ THE MANUAL CAREFULLY BEFORE USING THE DEVICE. FOLLOW ALL MANUAL GUIDELINES AND INSTRUCTIONS.

STORAGE

1) THE PACKAGED PRODUCT SHALL BE STORED IN A WELL-VENTILATED, CLEAN, CONDENSATE-FREE AND CORROSIVE GAS-FREE ROOM WITH TEMPERATURE OF -22°F~140°F AND RELATIVE HUMIDITY NOT EXCEEDING 95%.

2) PLEASE CHARGE THE DEVICE ONCE EVERY 3 MONTHS.

TRANSPORTATION

DURING TRANSPORT, PROTECT THE SCOPE AGAINST WATER, SEVERE SHOCK OR IMPACT FROM FALLING, AND PROTECT FROM SEVERE VIBRATIONS. HANDLE THE THERMAL MONOULAT WITH CARE.

FCC STATEMENT

THIS DEVICE COMPLIES WITH PART 15 OF THE FCC RULES. OPERATION IS SUBJECT TO THE FOLLOWING TWO CONDITIONS: (1) THIS DEVICE MAY NOT CAUSE HARMFUL INTERFERENCE, AND (2) THIS DEVICE MUST ACCEPT ANY INTERFERENCE RECEIVED, INCLUDING INTERFERENCE THAT MAY CAUSE UNDESIRE OPERATION.

SPECS

MAGNIFICATION: 1.8 - 3.6X
THERMAL SENSOR: 256 X 192
PIXEL SIZE: 12 MM
FRAME RATE: 25 HZ
OBJECTIVE LENS: 10 MM
FIELD OF VIEW: 95 FT @ 100 YD
DETECTION RANGE: 1,100 YD
RECOGNITION RANGE: 475 YD
HOTSPOT TRACKING: YES
PICTURE IN PICTURE: YES
NETD: ≤50 MK
TEMPERATURE VARIATION DETECTION: 0.08° F
COLOR PALETTE: 5
DISPLAY: 1280 X 960 LCOS
POWER SUPPLY: RECHARGEABLE 18650 BATTERY (INC.)
BATTERY LIFE: 8 HOURS
IP RATING: IP66
DIMENSION: 6 X 2.9 X 1.9 IN.
WEIGHT: .75 LB
WI-FI CAPABILITY: YES
PHOTO & VIDEO CAPABILITY: YES
APPLICATION: APPLE IOS & GOOGLE PLAY
TRIPOD MOUNT: YES
**ACCESSORIES: PROTECTIVE CASE, LANYARD,
CHARGING CABLE, LENS CAP, 18650 RECHARGEABLE BATTERY**



DISCOVER **THE UNSEEN.**

**FOR CUSTOMER SERVICE CONTACT US AT:
EMAIL: SUPPORT@XVISIONOPTICS.COM | PHONE: 833.993.2382**

**PATENTED IN EU, USA, TAIWAN & CHINA
US PATENT NO. US 10,466,467 B2**

