



SHADOW 22

NIGHT VISION BINOCULAR
XANB22

OWNER'S MANUAL



DISCOVER **THE UNSEEN.**

TABLE OF CONTENTS

PAGE 1 ABOUT SHADOW 22

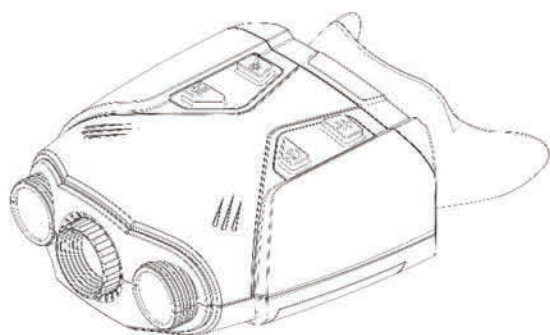
PAGE 2 QUICK START

PAGE 3 TROUBLE SHOOTING

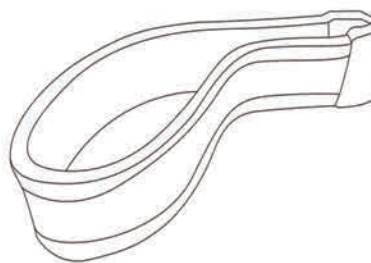
PAGE 4 SPECIFICATIONS



PACKAGE CONTENTS



SHADOW 32 BINOCULAR



NECK STRAP

ABOUT SHADOW 22

(1) POWER

+ LONG PRESS FOR POWER ON AND OFF.

(2) BRIGHTNESS

+ PRESS * FOR 3 LEVELS OF SCREEN BRIGHTNESS (1->2->3>1...)

+ FIRST TIME POWER ON, BRIGHTNESS IS SET AS 1.

(3) IR

+ PRESS IR FOR 4 LEVELS OF BRIGHTNESS (IR OFF-> IR1->IR2->IR3->IR OFF...)

+ FIRST TIME POWER ON, IR IS SET IT IR2. MAKE SURE IR IS ON FOR NIGHT USE.

(4) ZOOM

+ PRESS ZOOM TO ZOOM IN AT MULTIPLE LEVELS: 3X, 4.5X AND 6X. ONCE REACHING 6X, KEEP PRESSING ZOOM TO GO BACK TO 3X.

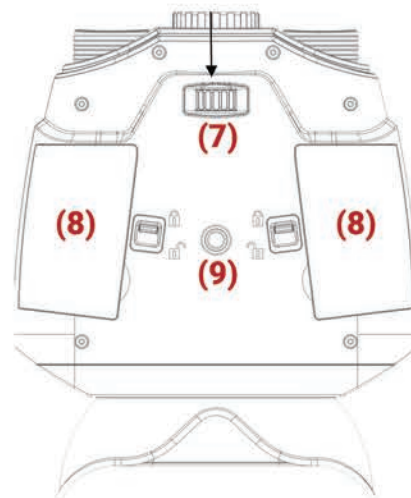
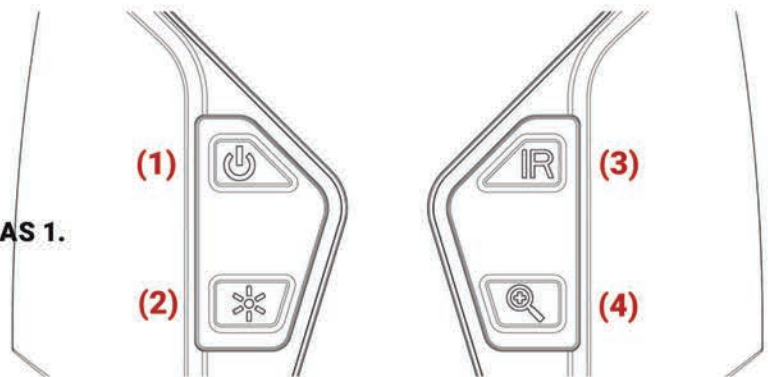
(5) VIEW AREA

(6) STRAP HOOK

(7) FOCUS DIAL

(8) BATTERY COMPARTMENT

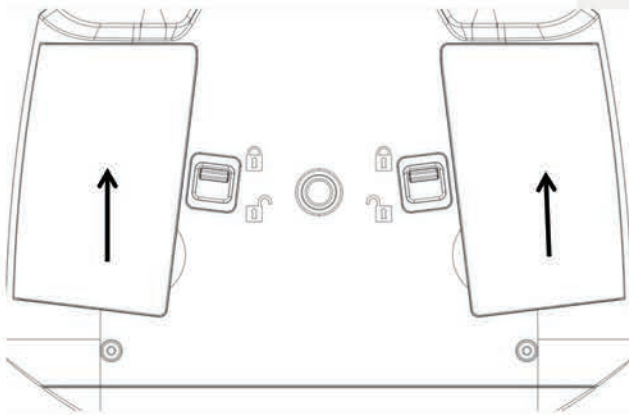
(9) TRIPOD HOLDER



QUICK START (1)

INSTALL BATTERIES

- (1) Open the covers.
- (2) Put in 4 AA Alkaline batteries in each compartment in the directions of + and -. A total of 8 AA batteries are needed.
- (3) Close the battery compartments.



TURN ON THE BINOCULAR

- (1) Long press the Power button to turn on the binocular. Once the power is on, look into the LCD screen inside for preview.
- (2) Adjust the focus by turning the focus wheel at the front bottom.
- (3) For daytime use, make sure the IR is off. For night use, turn on the IR by pressing the IR button. Increase the brightness by pressing the button repeatedly. It has 4 levels of brightness (Off->1->2->3->0ff...).
- (4) To remove the card, push it in to release. When the card is partially ejected, pull it out.
- (5) Long press the Power button to shut down the binocular.
- (6) The binocular will save the setting from last use.
- (7) This binocular has an auto shut off feature; after 5 minutes the binocular will power off to conserve battery power.

QUICK START (2)

ADJUST SCREEN BRIGHTNESS

Press the Screen Brightness button at multiple levels up to 3. Once reaching 3, keep pressing to go back to 1.

USE DIGITAL ZOOM

Press zoom to zoom in at multiple levels: 3X, 4.5X and 6X. Once reaching 6X, keep pressing zoom to go back to 3X.

DISPLAY INFORMATION



TROUBLESHOOTING

BINOCULAR POWER ON

- + If the binocular fails to activate, check for defective or improperly-installed batteries.
- + Replace or install batteries correctly. Please use Alkaline batteries.

POOR IMAGE

- + If you wear glasses, please keep them on while using the binocular.
- + For day use, please make sure the IR is off. For night use, make sure the IR is on.
- + Adjust the focus by slowly turning the Focus Wheel at the front bottom of the binocular. Make sure it is focused.

SPECS

MAGNIFICATION: : 3-6X

NIGHT DISTANCE: 175 YD

DAY DISTANCE: 450 YD

FIELD OF VIEW: 60 FT @ 100 YD

OBJECTIVE LENS: 20 MM

IR OUTPUT: 850 NM

POWER SUPPLY: AA BATTERIES

BATTERY LIFE: 10 HR DAY / 6 HR NIGHT

IR RATING: IP54

IR BRIGHTNESS: 4 LEVELS

SCREEN BRIGHTNESS: 3 LEVELS

DIMENSIONS: 2.75 X 6.3 X 7.75 IN

WEIGHT: 1.05 LB

PHOTO AND VIDEO: NO

TRIPOD MOUNT: YES

ACCESSORIES: PROTECTIVE CASE, NECK STRAP





DISCOVER **THE UNSEEN.**

**FOR CUSTOMER SERVICE CONTACT US AT:
EMAIL: SUPPORT@XVISIONOPTICS.COM | PHONE: 833.993.2382**

**PATENTED IN EU, USA, TAIWAN & CHINA
US PATENT NO. US 10,466,467 B2**

