



PHANTOM

NIGHT VISION BINOCULAR
XANB55

OWNER'S MANUAL



DISCOVER **THE UNSEEN.**

REVISED 08-17-22

TABLE OF CONTENTS

PAGE 1 ABOUT PHANTOM

PAGE 2 QUICK START

PAGE 5 DISPLAY INFORMATION

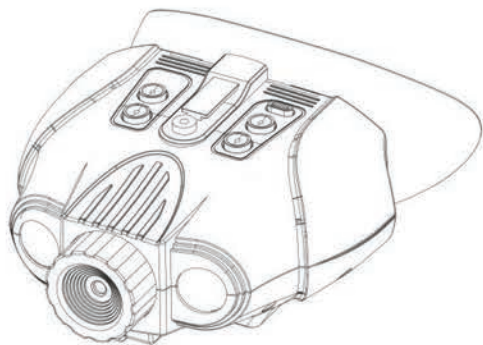
PAGE 7 HEAD MOUNT ASSEMBLY

PAGE 8 MENU SETTINGS

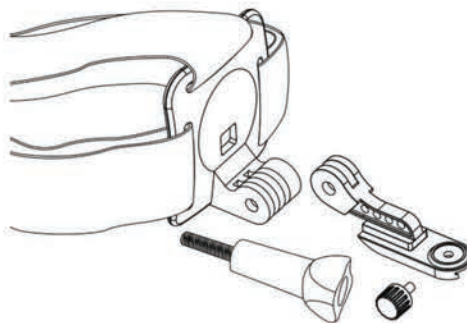
PAGE 9 TROUBLE SHOOTING

PAGE 10 SPECIFICATIONS

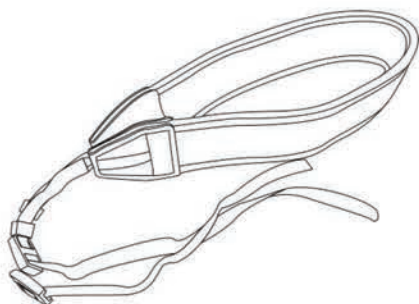
PACKAGE CONTENTS



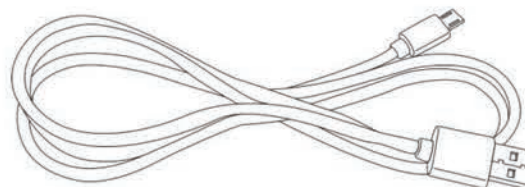
PHANTOM BINOCULAR



HEAD MOUNT ACCESSORIES



NECK STRAP



MICRO USB CABLE

ABOUT PHANTOM

(1) POWER

- + LONG PRESS FOR POWER ON AND OFF.
- + SHORT PRESS FOR 3 LEVELS OF SCREEN BRIGHTNESS.

(2) MODE

- + 4 MODES: PHOTO  VIDEO  PLAYBACK  & MENU.
- + WHEN THE POWER IS ON, THE DEFAULT MODE IS PHOTO.
- + PRESS MODE TO CHANGE TO THE NEXT MODE.

(3) ZOOM

- + UNDER PHOTO AND VIDEO MODE:
PRESS ZOOM TO ZOOM IN: 1X, 2X AND 3X.
KEEP PRESSING ZOOM TO CYCLE BACK TO 1X.
- + UNDER PLAYBACK MODE:
PRESS ZOOM TO PLAYBACK TO THE NEXT FILE.
- + UNDER MENU MODE: PRESS ZOOM TO GO UP.

(4) IR

- + UNDER PHOTO AND VIDEO MODE:
PRESS IR FOR 4 LEVELS OF BRIGHTNESS.
(IR OFF-> IR1->IR2->IR3->IR OFF...)
- + FIRST TIME POWER ON, IR IS SET AT IR2.
- + MAKE SURE IR IS ON FOR NIGHT USE.
- + UNDER PLAYBACK MODE:
PRESS IR TO PLAYBACK TO THE PREVIOUS FILE.
- + UNDER MENU MODE: PRESS IR TO GO DOWN.

(5)

- + IN PHOTO MODE: PRESS  TO TAKE PHOTOS.
- + IN VIDEO MODE: PRESS  TO VIDEO RECORD.
PRESS ONE MORE TIME TO STOP RECORDING.
- + IN PLAYBACK MODE: PRESS  TO ENTER SELECTED ITEM.

(6) MEMORY CARD AND USB SLOT

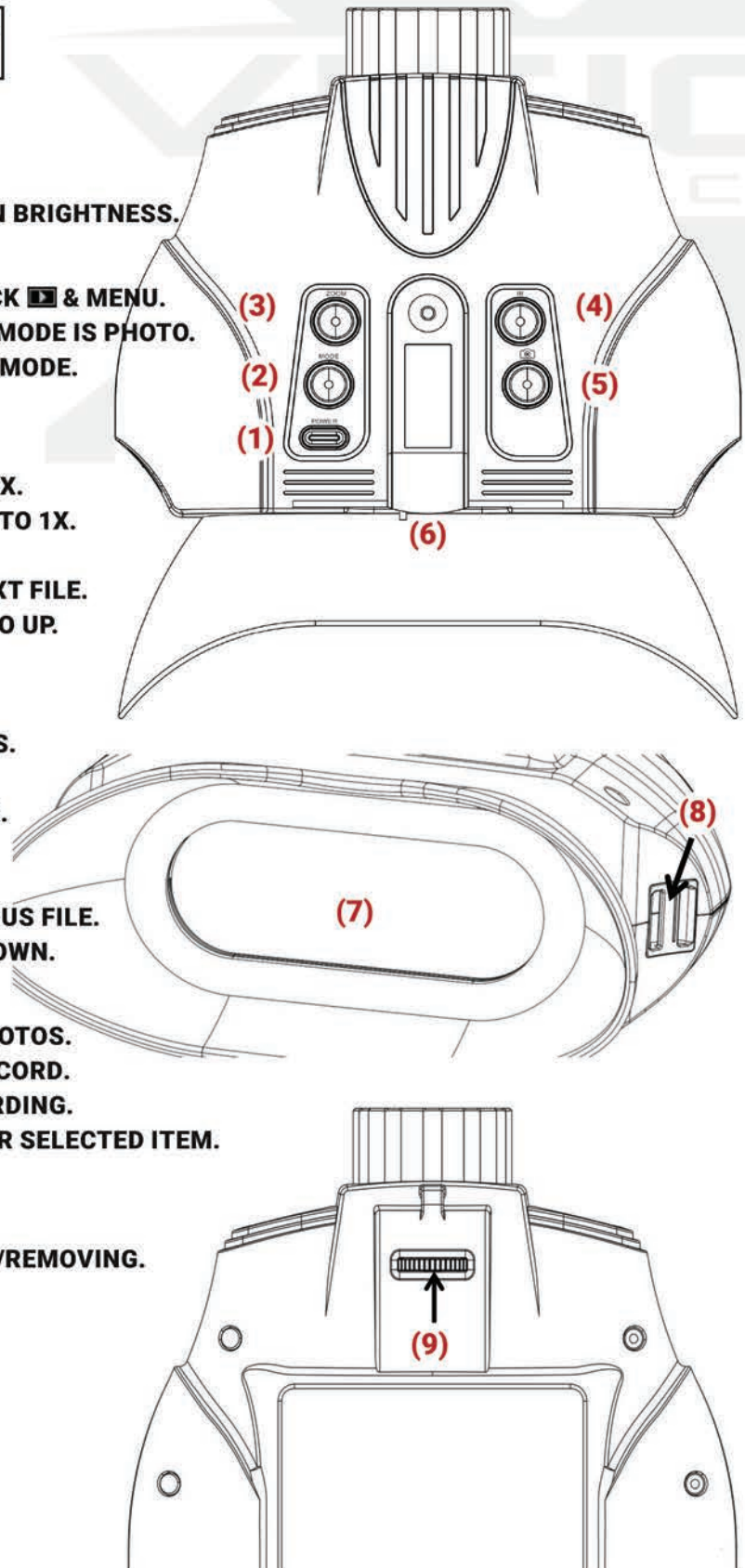
- + MEMORY CARD INSERT.
- + POWER MUST BE OFF WHEN INSERTING/REMOVING.
- + UP TO 32GB.

(7) VIEW AREA

(8) STRAP HOOK

(9) FOCUS WHEEL

- + TURN WHEEL TO FOCUS.

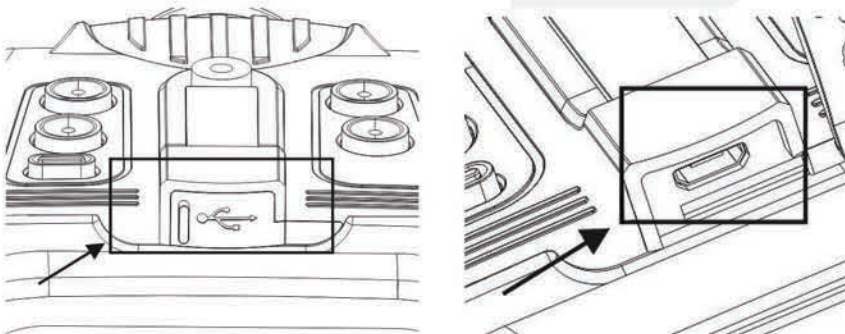


QUICK START (1)

CHARGING THE NIGHT VISION BINOCULAR

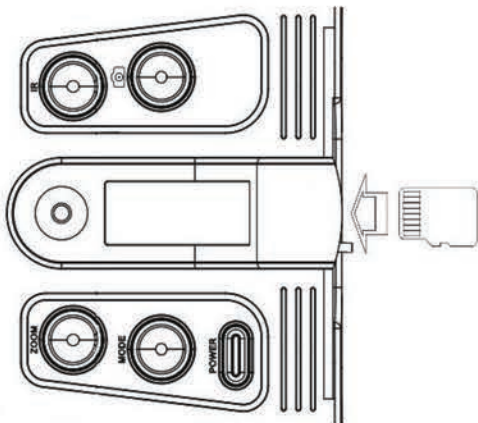
- (1) Open the USB cover.
- (2) Plug in the USB cable to charge. It is suggested to use 5V 1A plug to charge. The charging time is approximately 3 hours using 5V 1A.

Note: Do not turn on the power while charging.



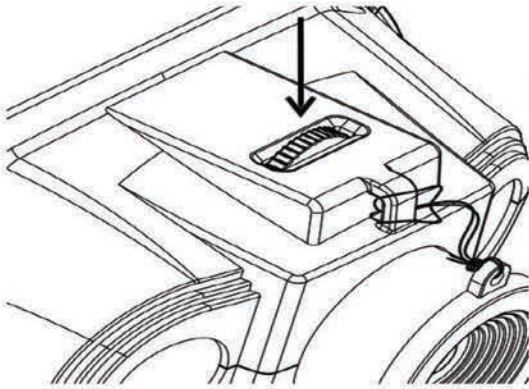
INSERT A MEMORY CARD FOR PHOTO AND VIDEO TAKING (MEMORY CARD NOT INCLUDED)

- (1) Insert memory card in the direction as below. Push the memory card into the slot to lock it.
- (2) To remove memory card, push it in to release. When memory card is partially ejected, pull it out.



QUICK START (2)

Note: When using a memory card with previous files saved, it is recommended to save the files to your computer first, and format the card before use. To format the card, press Mode several times to reach menu, and select "Format Card." If the "Memory Full" warning message appears on the LCD screen, the memory card is full. Please transfer all the files to your computer and delete the files on the memory card. Then the memory card can be used again.






TURN ON THE BINOCULAR



- (1) Long press the Power button to turn on the binocular. Once the power is on, look into the LCD screen inside for preview.
- (2) Adjust the focus by turning the focus wheel at the front bottom. See below arrow for "focus wheel."
- (3) For daytime use, make sure the IR is off. For night use, turn on the IR by pressing the IR button. Increase the brightness by pressing the button repeatedly. It has 4 levels of brightness (Off->1->2->3->0ff...).
- (4) Long press the Power button to shut down the binocular.
- (5) If the screen brightness needs to be adjusted, short press the Power button, or you can go to the "Menu Settings" to adjust.
- (6) The binocular will save the setting from last use.
- (7) This binocular has an auto shut off; after 5 minutes the binocular will power down to save battery power. To change this setting, you can go to the "Menu Settings" to turn it off, or change it to 1/3/5 minutes.

QUICK START (3)

TAKE A PICTURE

- (1) When the power is on, the binocular is automatically under the picture mode.
- (2) Check the left bottom corner of the screen for the  icon.
If the  icon is not showing, press Mode multiple times until the icon shows up.
- (3) Adjust the focus by turning the focus wheel.
(see "Turn on the Binocular" section for details)
- (4) If at night, adjust the brightness by pressing IR.
(see "Turn on the Binocular" section for details)
- (5) Press  to take pictures.



TAKE A VIDEO

- (1) Turn on the Binocular.
- (2) Press Mode to enter video-recording mode. Check the left bottom corner of the screen for the  icon. If the  icon is not showing, press Mode until the icon shows up.
- (3) Adjust the focus by turning the focus wheel.
(see "Turn on the Binocular" section for details)
- (4) If at night, adjust the brightness by pressing IR.
(see "Turn on the Binocular" section for details)
- (5) Press to start video recording, and press it again to stop recording.

USE DIGITAL ZOOM

Press zoom button to zoom in at multiple levels: 1x, 2x, and 3x.
Once reaching 3x, keep pressing Zoom to go back to 1x.

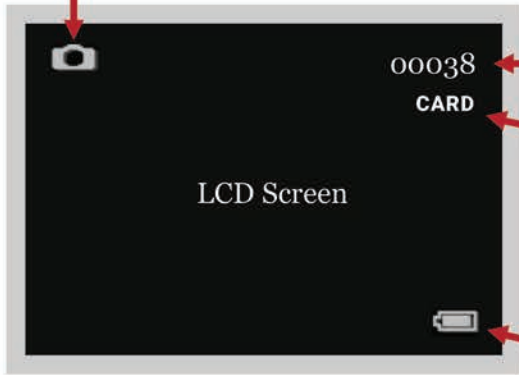
PLAYBACK

- (1) Press Mode until  icon shows on the top left corner of the screen.
- (2) The LCD Screen will show the last file saved. If it was a photo, the photo will show on the screen, with "JPG" wording on the left bottom corner. If it was a video, wording "AVI" will show on the left bottom corner.
- (3) Press  to play, delete, delete all, or exit.
- (4) Press IR to go to the previous file, and press Zoom to go to the next file.

DISPLAY INFORMATION (1)

PHOTO MODE

PHOTO MODE: READY TO TAKE PICTURE
PRESS  TO TAKE PICTURE.



NUMBER OF FILES INCLUDING PHOTOS AND VIDEOS TAKEN.

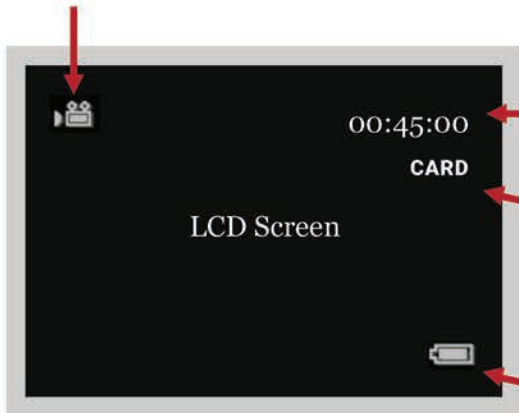
MEMORY CARD INSTALLED AND READY FOR PHOTOS.

IF CARD IS SHOWING, POWER OFF AND THEN INSERT MEMORY CARD.

BATTERY STATUS.

VIDEO MODE

VIDEO MODE: READY TO TAKE VIDEOS. WHEN PRESSING  TO RECORD, TIME STARTS RUNNING. PRESS  AGAIN TO STOP RECORDING.



MINUTES OF VIDEOS TAKEN.

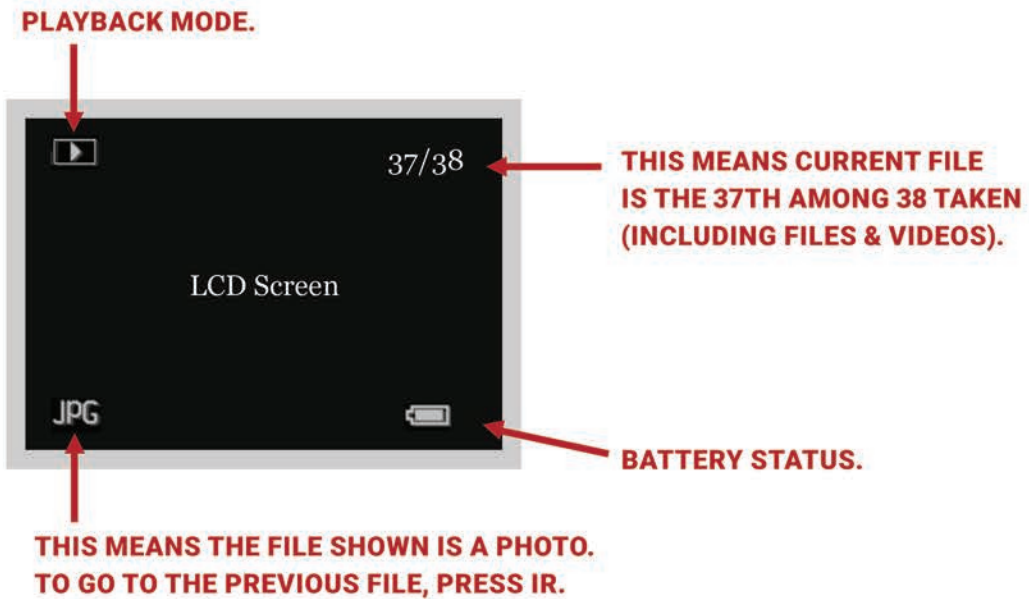
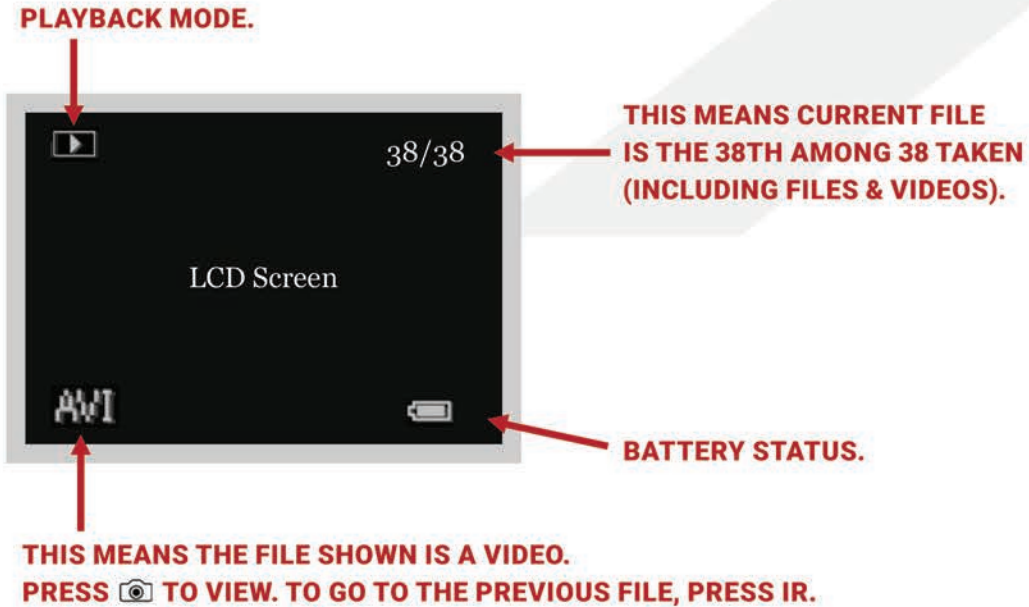
MEMORY CARD INSTALLED AND READY FOR PHOTOS.

IF CARD IS SHOWING, POWER OFF AND THEN INSERT MEMORY CARD.

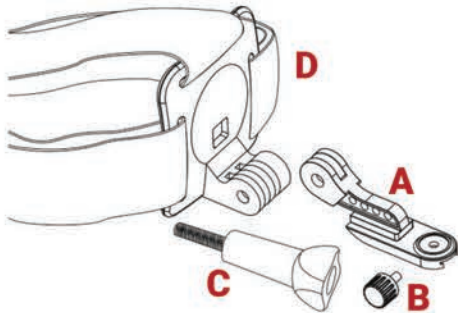
BATTERY STATUS.

DISPLAY INFORMATION (2)

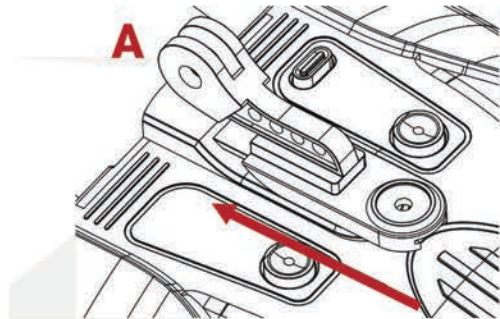
PLAYBACK MODE



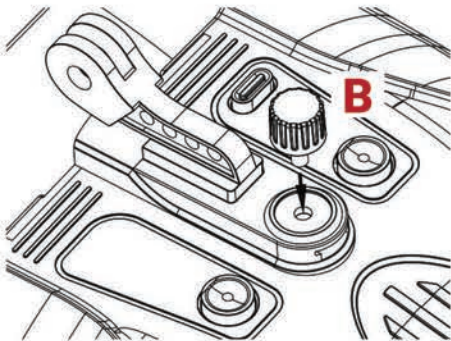
HEAD MOUNT ASSEMBLY



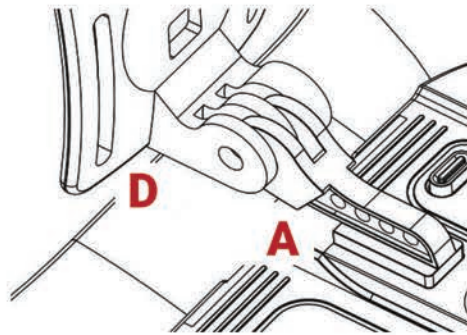
There are 4 head set assembly pieces.



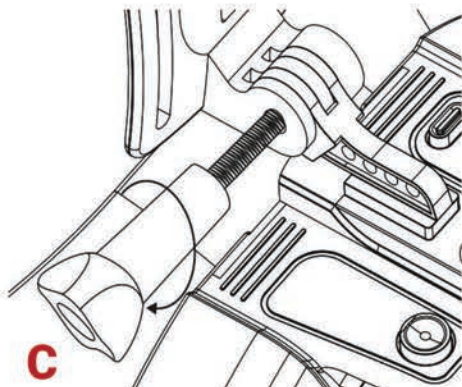
Slide (A) into the top of binocular.



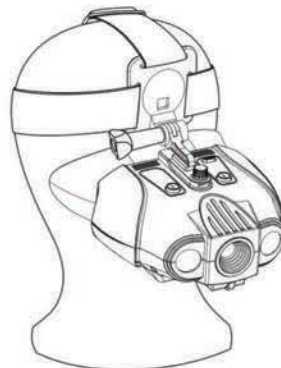
Screw (B) into slot shown.



Connect (A) to (D)





Screw (C) into slot shown.



Final look at head assembly.

MENU SETTINGS

MENU MODE

This is to set up parameters for the binocular if you wish to change default settings. Press Mode multiple times until the Menu shows up. Press IR to go down the menu, or Zoom to go up the menu. Press  to enter. Once the desired setting is selected, press  to save it. Press Mode to exit back to the photo mode.

MENU

FORMAT CARD

To delete all the files in memory card.

POWER SAVE

To set up auto power off.

DATE

To set up the date.

TIME

To set up the time.

FLICKER

50Hz default for EU | 60Hz default for U.S. and Japan.

LCD BACKLIGHT

To select the brightness level of the LCD screen.

DATE/TIME TAG

To show date and time on the photos.

VERSION

Version of the firmware for reference only.

FORMAT CARD

YES

To delete all the files in memory card.

NO

Not to delete all the files in memory card.

POWER SAVE

OFF

Yes (to cancel the auto power off setting).

1 MIN

Auto power off in 1 minute without actions.

3 MIN

Auto power off in 3 minutes without actions.


5 MIN

Auto power off in 5 minutes without actions.

DATE

YY/ MM/ DD

Press  to enter. Press Zoom and IR to go left, right, up, down.

Press  to saved settings.

TIME

HR/ MIN/ SEC

Press  to enter. Press Zoom and IR to go left, right, up, down.

Press  to saved settings.

FLICKER

50Hz default for EU | 60Hz default for U.S. and Japan.

LCD BACKLIGHT

Default setting is 1 (1-3 indicating backlight levels).

The higher the setting the brighter the display.

DATE/ TIME TAG

OFF / ON

Default setting is off.

VERSION

Version of the firmware for reference only.

TROUBLE SHOOTING

POOR IMAGE

If you wear glasses, please keep them on while using the binocular.

During daylight hours, make sure the IR is off. For use during nighttime hours, make sure the IR is on.

Adjust the focus by slowly turning the Focus Wheel at the front bottom of the binocular. Make sure it is focused.

WHY IS “NO MEMORY CARD” MESSAGE APPEARING ON SCREEN WHILE THE MEMORY CARD HAS BEEN INSERTED?

Please turn off the power, insert the memory card, and check again. The memory card needs to be inserted when the power is off.

If the issue persists, please check the memory card compatibility.

SPECS

MAGNIFICATION: 1-3X

NIGHT DISTANCE: 200 YD

DAY DISTANCE: 400 YD

FIELD OF VIEW: 300 FT @ 100 YD

OBJECTIVE LENS: 20 MM

DIGITAL DISPLAY: WIDE-ANGLE 2 MEGAPIXEL

IR OUTPUT: 850 NM

POWER SUPPLY: BUILT-IN RECHARGEABLE LITHIUM-ION BATTERY

BATTERY LIFE: 8 HR DAY/5 HR NIGHT

AUTO SHUTOFF: YES

IP RATING: IP54

IR BRIGHTNESS: 4 LEVELS

SCREEN BRIGHTNESS: 3 LEVELS

DIMENSIONS: 5.51 X 6.30 X 2.60 IN

WEIGHT: 0.74 LB

PHOTO AND VIDEO: YES

ACCESSORIES:

HEAD MOUNT, NECK STRAP, CHARGING CABLE, PROTECTIVE CASE



DISCOVER **THE UNSEEN.**

**FOR CUSTOMER SERVICE CONTACT US AT:
EMAIL: SUPPORT@XVISIONOPTICS.COM | PHONE: 833.993.2382**

**PATENTED IN EU, USA, TAIWAN & CHINA
US PATENT NO. US 10,466,467 B2**

