



RANGEFINDER MONOCULAR WITH NIGHT VISION XANR100 USER MANUAL



DISCOVER THE UNSEEN

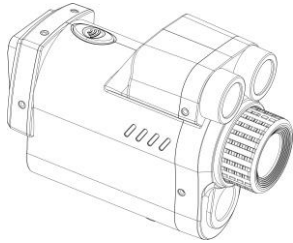
Edition, 2020-8-24

xvisionoptics.com

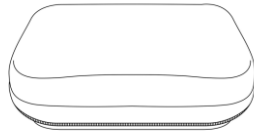
X-Vision Optics | 5140 Moundview Dr. | Red Wing, MN 55066 | 833-993-2383

RANGE-FINDING NIGHT VISION MONOCULAR (NVM-100RF) USER MANUAL

PACKAGE CONTENTS



Monocular




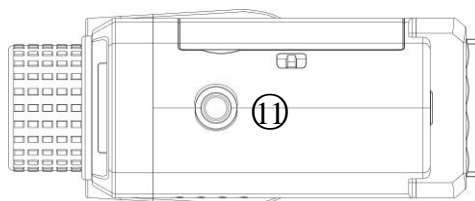
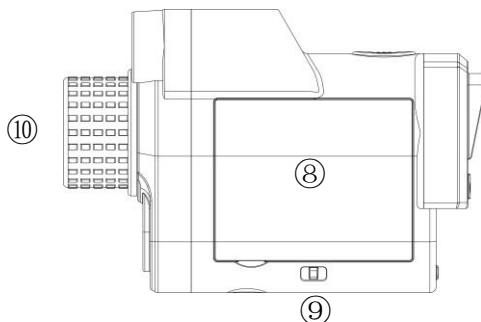
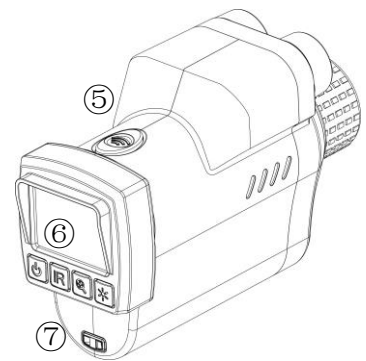
Protection Case



Lanyard

ABOUT THE MONOCULAR

1. **POWER:** Press and hold to power on and off.
2. **IR (Infrared):** Press IR for 4 levels of brightness (0-1-2-3-0) when using the monocular at night. *First time power on, it is set at IR2.*
3. **ZOOM:** Press Zoom to zoom in at multiple levels. The maximum digital zoom is 6X. Once reaching 6X, keep pressing Zoom to go back to 3X.
4. **SCREEN BRIGHTNESS:** Press  to adjust the screen brightness levels
5. **RANGE FINDING BUTTON:** Press the Range Finding Button to find distance. Long press the button to switch between yard (Yd) and meter (M).
6. **LCD SCREEN**
7. **WRIST STRAP HOLDER**
8. **BATTERY COMPARTMENT**
9. **BATTERY COMPARTMENT LOCK:** Switch to the left to unlock the cover, and to the right to lock the cover.
10. **FOCUS WHEEL:** Turn the wheel to focus.
11. **TRIPOD HOLDER**



QUICK START

Install Batteries

1. Open the cover.
2. Take out the cartridge and install 6 AA Alkaline batteries.
3. Put the cartridge back and close the cover.

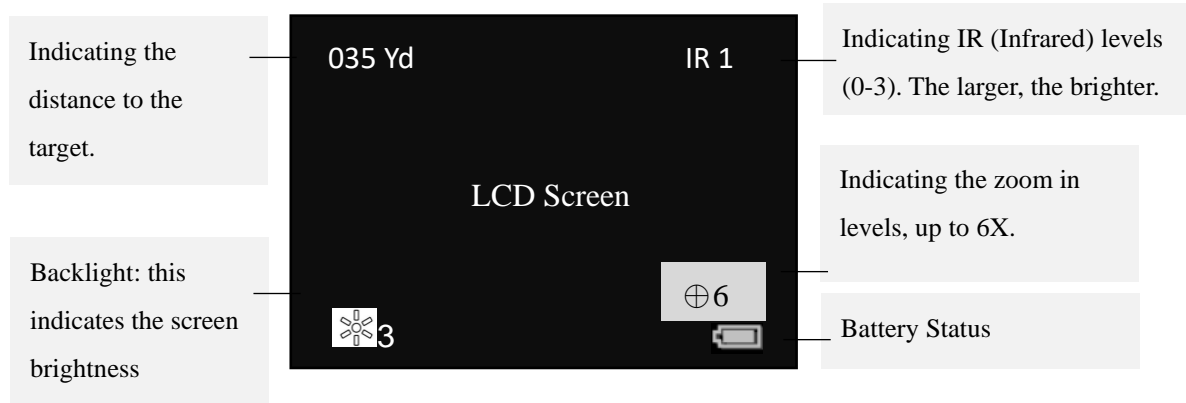
Turn on the Monocular

1. Press the Power button to turn on the monocular.
2. Once the power is on, look at the LCD screen for preview.
3. Adjust the focus by turning the focus wheel at the front of the unit.
4. Press the Range Finding Button (Ⓢ) to find distance. Long press the button to switch between yard (Yd) and meter (M).
5. For night use, turn on the IR (Infrared) by pressing the IR button. Increase the brightness by pressing the button repeatedly. It has 4 levels of brightness (0-1-2-3).
6. Long press the Power button to turn off the monocular.

Use Digital Zoom

Press Zoom to zoom in at multiple levels. The maximum digital zoom is 6X. Once reaching 6X, keep pressing Zoom to go back to 3X.

DISPLAY INFORMATION



TROUBLE SHOOTING

Power Off:

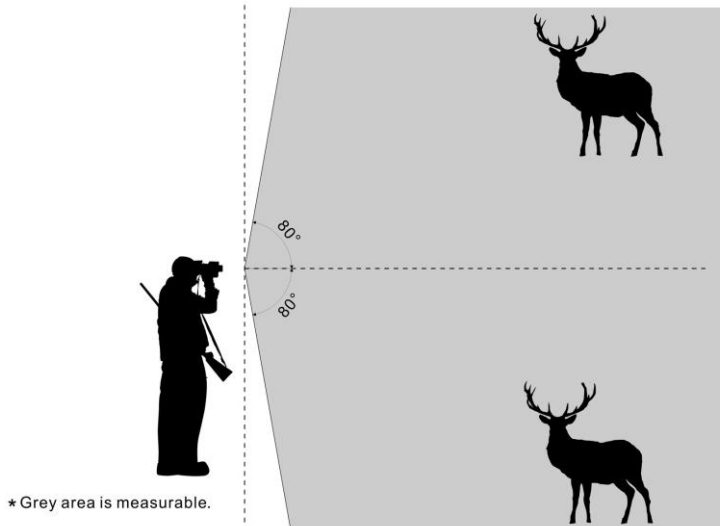
If the monocular fails to function, check for defective, missing or improperly-installed batteries. Replace or install batteries correctly. Please make sure to use Alkaline batteries.

Poor Image:

For day use, please make sure the IR is off. For night use, make sure the IR is on. Adjust the focus by slowly turning the Focus Wheel at the front. Make sure it is focused.

PRODUCT SPECIFICATIONS

Viewfinder	EVF mode	Visual Angle	10° degrees
LCD Screen	1.5"	Luminance	Infrared LED
Aperture	F1.4	Power Supply	AA Alkaline battery x 6
Day/Night Adjustment	Automatic	Power Consumption	3.5W with IR LED fully on
Visual Distance	150yds/137m at night 400yds/366m during day	Power Life	Up to 9 hours for Day Use, 4 hours for Night Use
Ranging Finding Distance	200 yds	Unit Size	5.2" x 2.2" x 3.5" / 13.2cm x 5.6cm x 9cm
Optical Lens	3X	Net Weight	0.51lbs / 0.2kg (0.83lb / 0.38kg with batteries)
Digital Zoom	3X to 6X	Color	Black
Functioning Angle*	Up to 80 degrees up and down, see below illustration.		



Warning:

Under certain scenarios such as targeting a mirror, black velvet cloth, strong light, etc., the rangefinder may malfunction.

DISCOVER THE UNSEEN

FOR CUSTOMER SERVICE CONTACT US AT:

Email: support@xvisionoptics.com

Phone: 833-993-2383