



SHADOW 37

NIGHT VISION BINOCULAR
XANB37

OWNER'S MANUAL



DISCOVER **THE UNSEEN.**

TABLE OF CONTENTS

PAGE 1 ABOUT SHADOW 37

PAGE 2 QUICK START

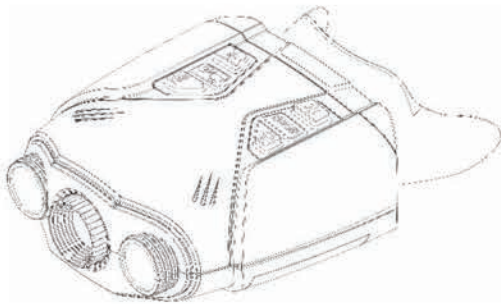
PAGE 5 DISPLAY INFORMATION

PAGE 6 MENU SETTINGS

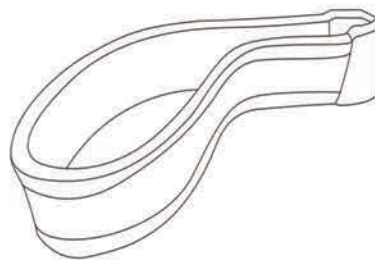
PAGE 7 TROUBLE SHOOTING

PAGE 8 SPECIFICATIONS

PACKAGE CONTENTS



SHADOW 32 BINOCULAR



NECK STRAP

ABOUT SHADOW 37

(1) POWER

+ LONG PRESS FOR POWER ON AND OFF.

(2) MODE

+ PRESS MODE TO SWITCH BETWEEN RECORDING/MENU/PREVIEW.

(3) BRIGHTNESS

+ PRESS * FOR 3 LEVELS OF SCREEN BRIGHTNESS (1->2->3>1...)

+ FIRST TIME POWER ON, BRIGHTNESS IS SET AS 1.

(4) IR

+ PRESS IR FOR 4 LEVELS OF BRIGHTNESS (IR OFF-> IR1->IR2->IR3->IR OFF...)

+ FIRST TIME POWER ON, IR IS SET IT IR2. MAKE SURE IR IS ON FOR NIGHT USE.

(5) PHOTO & VIDEO

+ LONG PRESS  PHOTO /  VIDEO TO SWITCH BETWEEN PHOTO/VIDEO MODE.

+ UNDER PHOTO MODE, SIMPLY SHORT PRESS THE BUTTON TO TAKE PHOTOS.

+ UNDER VIDEO MODE, SHORT PRESS TO START RECORDING AND SHORT PRESS AGAIN TO STOP RECORDING.

(6) ZOOM

+ PRESS ZOOM TO ZOOM IN AT MULTIPLE LEVELS: 3X, 4.5X AND 6X. ONCE REACHING 6X, KEEP PRESSING ZOOM TO GO BACK TO 3X.

(7) MEMORY CARD SLOT

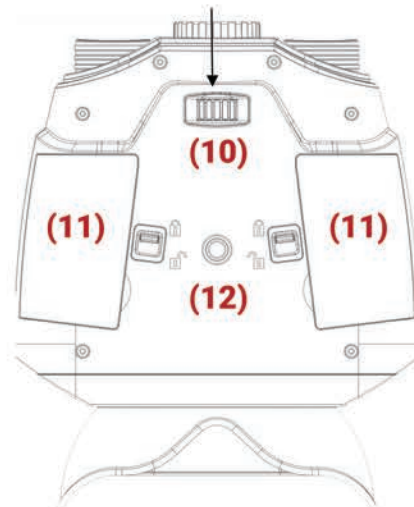
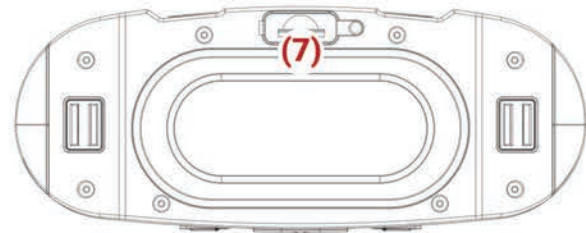
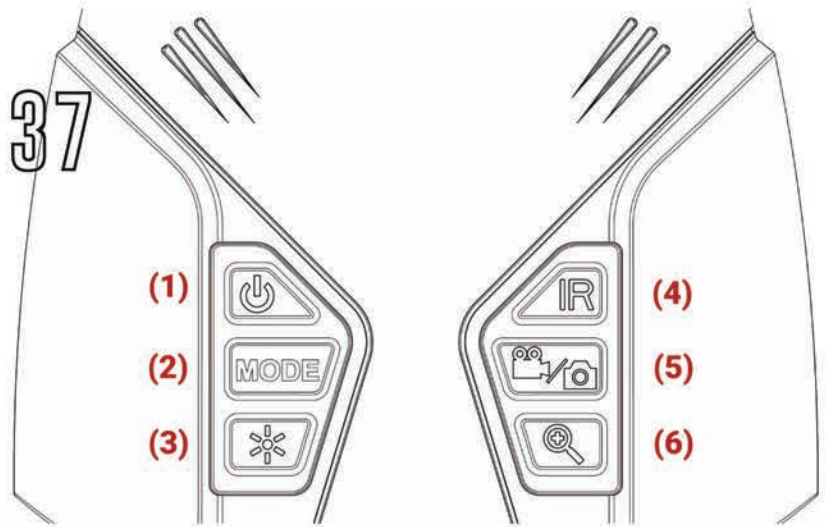
(8) VIEW AREA

(9) STRAP HOOK

(10) FOCUS DIAL

(11) BATTERY COMPARTMENT

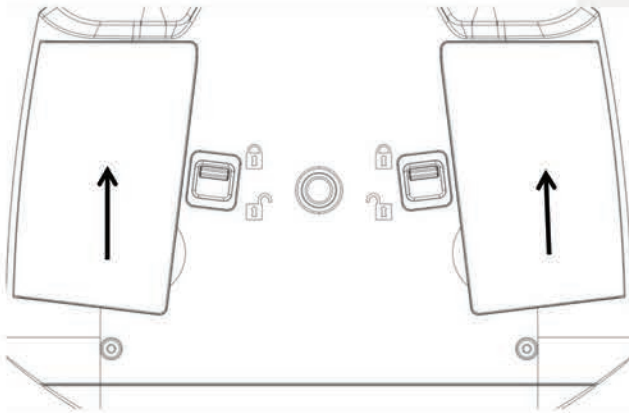
(12) TRIPOD HOLDER



QUICK START (1)

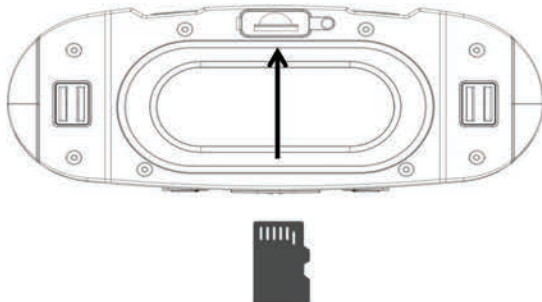
INSTALL BATTERIES

- (1) Open the covers.
- (2) Put in 4 AA Alkaline batteries in each compartment in the directions of + and -. A total of 8 AA batteries are needed.
- (3) Close the battery compartments.



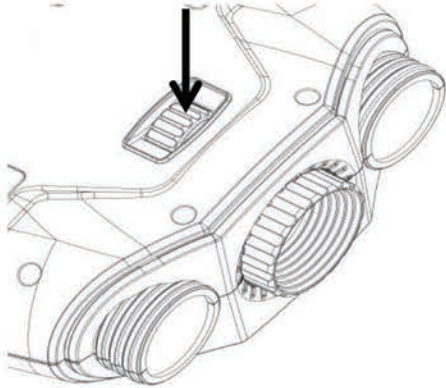
INSERT A MEMORY CARD FOR PHOTO AND VIDEO TAKING (MEMORY CARD NOT INCLUDED)

- (1) First make sure the power is off.
- (2) Then insert the card in the direction as below. Push the card into the slot to lock it.
- (3) To remove the card, push it in to release. When the card is partially ejected, pull it out.



QUICK START (2)

Note: When using a memory card with previous files saved, it is recommended to save the files to your computer first, and format the card before use. To format the card, press Mode several times to reach menu, and select "Format Card." If the "Memory Full" warning message appears on the LCD screen, the memory card is full. Please transfer all the files to your computer and delete the files on the memory card. Then the memory card can be used again.



TURN ON THE BINOCULAR

- (1) Long press the Power button to turn on the binocular. Once the power is on, look into the LCD screen inside for preview.
- (2) Adjust the focus by turning the focus wheel at the front bottom. See below arrow for "focus wheel."
- (3) For daytime use, make sure the IR is off. For night use, turn on the IR by pressing the IR button. Increase the brightness by pressing the button repeatedly. It has 4 levels of brightness (Off->1->2->3->Off...).
- (4) Long press the Power button to shut down the binocular.
- (5) The binocular will save the setting from last use.
- (6) This binocular has an auto shut off feature; after 5 minutes the binocular will power off to conserve battery power.

QUICK START (3)

ADJUST SCREEN BRIGHTNESS

- (1) Press the * Screen Brightness button at multiple levels up to 3.
- (2) Once reaching 3, keep pressing to go back to 1.



USE DIGITAL MAGNIFICATION

- (1) Press  magnification to zoom in at multiple levels: 3X, 4.5X and 6X.
- (2) Once reaching 6X, keep pressing zoom to go back to 3X.




TAKE A PICTURE

- (1) Turn on the Binocular.
- (2) Adjust the focus by turning the focus wheel.
- (3) If at night, adjust the IR brightness by pressing IR.
- (4) Press  Photo /  Video to take pictures.

TAKE A VIDEO

- (1) Turn on the Binocular.
- (2) Adjust the focus by turning the focus wheel.
- (3) If at night, adjust the IR brightness by pressing IR.
- (4) Long Press  /  to switch to video mode. Under Video mode, short press to start recording and short press again to stop recording.

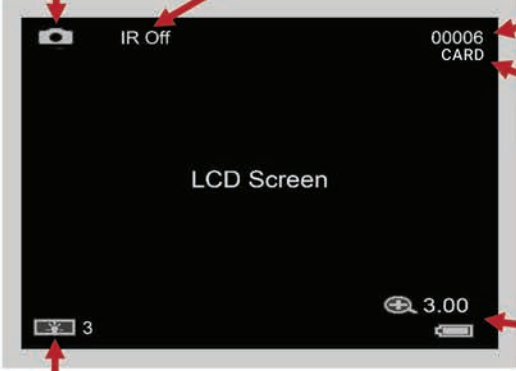
PLAYBACK

- (1) Press Mode until icon  shows on the top left corner of the screen.
- (2) The LCD Screen will show the last file saved. If it was a photo, the photo will show on the screen, with "JPG" wording on the left bottom corner. If it was a video, wording "AVI" will show on the left bottom corner.
- (3) Press  /  to play, delete, delete all, or exit.
- (4) Press * to the next file. to go to the previous file, and press Zoom to go to the next file.

DISPLAY INFORMATION (1)

PHOTO MODE

PHOTO MODE: READY TO TAKE PICTURE
PRESS  TO TAKE PICTURE.




The LCD screen in Photo Mode displays the following information:

- IR Level:** A camera icon in the top left corner, with an arrow pointing to it labeled "IR LEVEL - LARGER THE BRIGHTER".
- IR Status:** "IR Off" text in the top left corner.
- File Count:** "00006" in the top right corner, with an arrow pointing to it labeled "NUMBER OF FILES INCLUDING PHOTOS AND VIDEOS TAKEN".
- Memory Card:** "CARD" in the top right corner, with an arrow pointing to it labeled "MEMORY CARD INSTALLED AND READY FOR PHOTOS.".
- Zoom & Battery:** "3.00" in the bottom right corner, with an arrow pointing to it labeled "ZOOM LEVELS & BATTERY STATUS.".
- Screen Brightness:** A brightness icon in the bottom left corner, with an arrow pointing to it labeled "SCREEN BRIGHTNESS (1-3)".

VIDEO MODE

VIDEO MODE: READY TO TAKE VIDEOS. PRESS  TO RECORD, TIME STARTS RUNNING. PRESS  AGAIN TO STOP RECORDING.







The LCD screen in Video Mode displays the following information:

- IR Level:** A video camera icon in the top left corner, with an arrow pointing to it labeled "IR LEVEL - LARGER THE BRIGHTER".
- IR Status:** "IR Off" text in the top left corner.
- Video Time:** "06:18:22" in the top right corner, with an arrow pointing to it labeled "MINUTES OF VIDEOS TAKEN.".
- Memory Card:** "CARD" in the top right corner, with an arrow pointing to it labeled "MEMORY CARD INSTALLED AND READY FOR PHOTOS.".
- Zoom & Battery:** "3.00" in the bottom right corner, with an arrow pointing to it labeled "ZOOM LEVELS & BATTERY STATUS.".
- Screen Brightness:** A brightness icon in the bottom left corner, with an arrow pointing to it labeled "SCREEN BRIGHTNESS (1-3)".

MENU SETTINGS

MENU MODE

Press Mode one time to call out the Menu. This is to set up parameters for the binocular if you wish to change default settings. Press Zoom to go down the menu, or * to go up the menu. Press  /  to enter. Once the desired setting is selected, press  /  to save it. Press Mode to exit back to the photo mode.

MENU

DELETE PICTURES

To delete all the files in memory card.

TIME SHUT OFF

To set up auto power off.

DATE

To set up the date.

TIME

To set up the time.

FLICKER

50Hz default for EU | 60Hz default for U.S. and Japan.

LCD BACKLIGHT

To select the brightness level of the LCD screen.

DATE/TIME TAG

To show date and time on the photos.

VERSION

Version of the firmware for reference only.

DELETE PICTURES

YES

To delete all the files in memory card.

NO

Not to delete all the files in memory card.

TIME SHUT OFF

OFF

No (default setting).

5 MIN

Auto power off in 5 minute without actions.

10 MIN

Auto power off in 10 minutes without actions.

15 MIN

Auto power off in 15 minutes without actions.

30 MIN

Auto power off in 30 minutes without actions.

DATE

YY/ MM/ DD

Press  /  to enter. Press Zoom and * to go left, right, up, down.

Press  /  to saved settings.

TIME

HR/ MIN/ SEC

Press  /  to enter. Press Zoom and * to go left, right, up, down.

Press  /  to saved settings.

FLICKER

50Hz default for EU | 60Hz default for U.S. and Japan.

LCD BACKLIGHT

Default setting is 1 (1-3 indicating backlight levels).

The higher the setting the brighter the display.

DATE/ TIME TAG

OFF / ON

Default setting is off.

VERSION

Version of the firmware for reference only.

TROUBLE SHOOTING

BINOCULAR POWER OFF

If the binocular fails to activate, check for defective, missing or improperly-installed batteries. Replace or install batteries correctly. Please make sure to use Alkaline batteries.

POOR IMAGE

If you wear glasses, please keep them on while using the binocular.

For day use, please make sure the IR is off. For night use, make sure the IR is on.

Adjust the focus by slowly turning the Focus Wheel at the front bottom of the binocular. Make sure it is focused.

WHY IS “NO MEMORY CARD” MESSAGE APPEARING ON SCREEN WHILE THE SD CARD HAS BEEN INSERTED?

Please turn off the power, insert the memory card, and check again. The memory card needs to be inserted when the power is off.

If the issue persists, please check the memory card compatibility.

The maximum memory accepted is 32GB.

SPECS

MAGNIFICATION: : 3-6X

NIGHT DISTANCE: 350 YD

DAY DISTANCE: 550 YD

FIELD OF VIEW: 60 FT @ 100 YD

OBJECTIVE LENS: 20 MM

IR OUTPUT: 850 NM

POWER SUPPLY: AA BATTERIES

BATTERY LIFE: 10 HR DAY / 6 HR NIGHT

AUTO SHUTOFF: 5 MIN

IR RATING: IP54

IR BRIGHTNESS: 4 LEVELS

SCREEN BRIGHTNESS: 3 LEVELS

DIMENSIONS: 2.75 X 6.3 X 7.75 IN

WEIGHT: 1.05 LB

PHOTO AND VIDEO: YES

TRIPOD MOUNT: YES

ACCESSORIES: PROTECTIVE CASE, NECK STRAP



DISCOVER THE UNSEEN.

**FOR CUSTOMER SERVICE CONTACT US AT:
EMAIL: SUPPORT@XVISIONOPTICS.COM | PHONE: 833.993.2382**

**PATENTED IN EU, USA, TAIWAN & CHINA
US PATENT NO. US 10,466,467 B2**

