



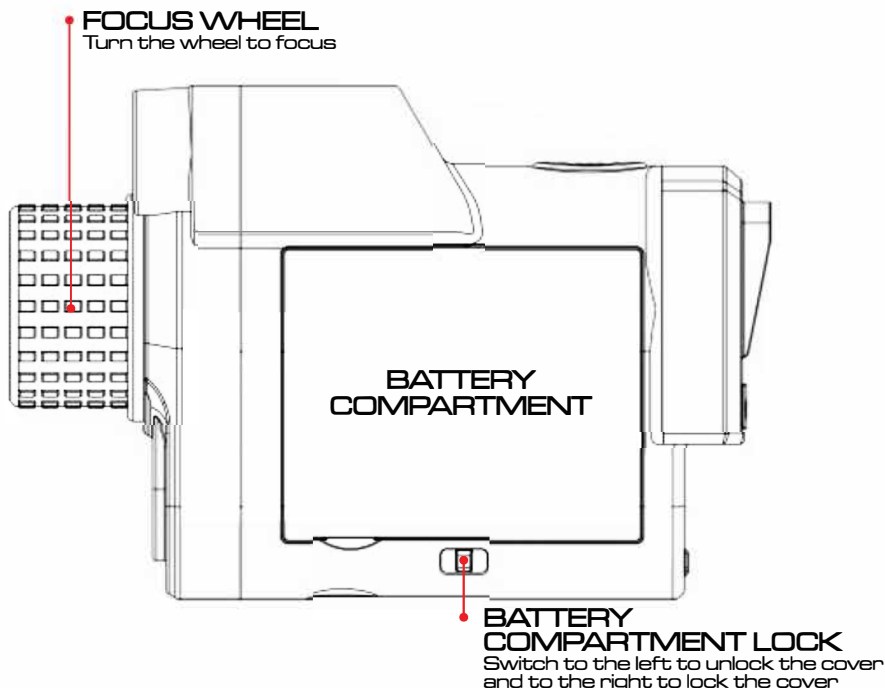
NIGHT VISION MONOCULAR - XANR100

QUICK START GUIDE

- INSTALL 6 AA BATTERIES IN DEVICE.
- PRESS AND HOLD THE POWER BUTTON TO TURN MONOCULAR ON/OFF.
- BRING THE SCREEN INTO FOCUS USING THE FOCUS WHEEL. ZOOM IN AS NECESSARY.
- FOR NIGHT VISION PRESS THE IR BUTTON.

CONTROLS

SIDE VIEW



DISCOVER THE UNSEEN



BACK VIEW

RANGE FINDING BUTTON

Press the Range Finding Button to find distance. Long press the button to switch between yard (Yd) and meter (M)

POWER

Press and hold to power on and off

IR (NIGHT VISION)

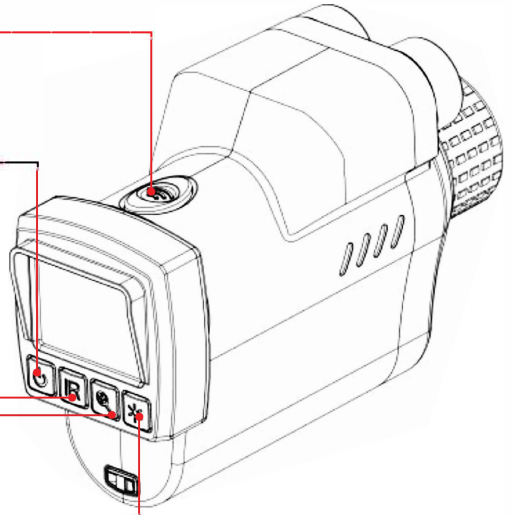
Press IR for 4 levels of brightness (0-1-2-3-0) when using the monocular at night. First time power on, it is set at IR2

ZOOM

Press Zoom to zoom in at multiple levels. The maximum digital zoom is 6X. Once reaching 6X, keep pressing Zoom to go back to 3X

SCREEN BRIGHTNESS

Press to adjust the screen brightness levels



HELPFUL HINTS

- Night Vision does not work through glass. The glass will reflect the IR light signal.
- Make sure the IR is off (0 level) when using during the day.
- To see in the dark, make sure to press and release the IR button.
 - There are multiple IR levels. (press repeatedly to adjust)
 - The higher the IR setting, the further you will see in the dark.
- ALWAYS make sure to turn off your monocular when not in use.

Thank you for your purchase of the X-Vision Binocular. For additional information on X-Vision Optics, please visit our website www.xvisionoptics.com or visit us on Facebook at X-Vision Optics.

DISCOVER THE UNSEEN

For Customer Service Contact Us At:

X-Vision Optics

Email: support@xvisionoptics.com
Phone: 833-993-2383