



FLEX 2

THERMAL REFLEX SIGHT
TR2

OWNER'S MANUAL



DISCOVER **THE UNSEEN.**

TABLE OF CONTENTS

PAGE 1 ABOUT FLEX 2

PAGE 2 QUICK START

PAGE 3 RETICLE PARAMETERS

PAGE 4 BUTTON OPERATION

PAGE 5 SAFETY & FCC

PAGE 6 SPECIFICATIONS

PACKAGE CONTENTS

TR2 THERMAL SIGHT

18500 RECHARGEABLE BATTERY

18650 BATTERY ADAPTER CAP

UNIVERSAL BATTERY CHARGER

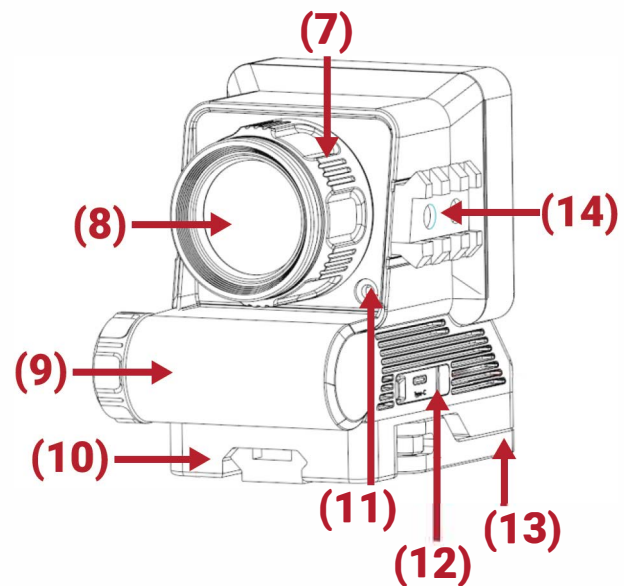
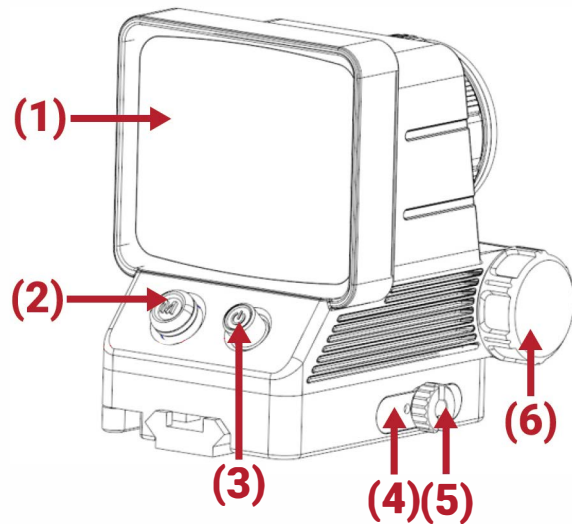
HEATED TARGET FOR ZEROING

USB-C CABLE

LENS CLOTH

ABOUT FLEX 2

- (1) DISPLAY
- (2) JOYSTICK
- (3) POWER BUTTON
- (4) CLAMPING PLATE
- (5) MOUNT TIGHTNESS ADJUSTMENT
- (6) BATTERY COVER
- (7) LENS FOCUS
- (8) THERMAL SENSOR
- (9) BATTERY COMPARTMENT
- (10) PICATINNY MOUNT
- (11) LASER
- (12) TYPE-C PLUGIN
- (13) QUICK RELEASE
- (14) PICATINNY RAIL



QUICK START

INSTALL BATTERIES

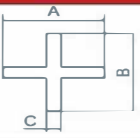
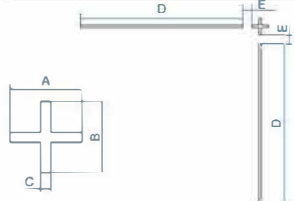
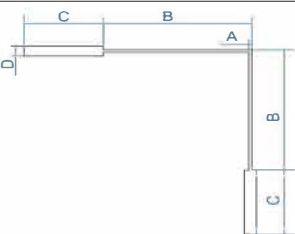
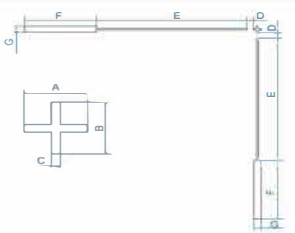
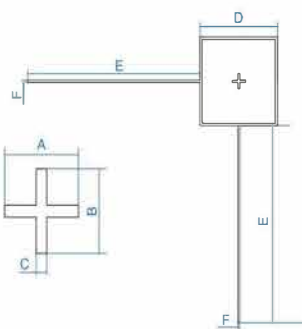
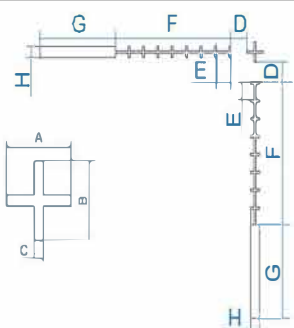
- + REMOVE THE THREADED BATTERY COVER IN A COUNTERCLOCKWISE DIRECTION (6).
- + INSERT ONE 18500 BATTERY INTO THE BATTERY COMPARTMENT (9) WITH POSITIVE END FACING INWARD AND NEGATIVE END FACING OUTWARD.
- + TIGHTEN THE BATTERY COVER CLOCKWISE.
- + NOTE: THE DEVICE CAN CONNECT TO AN EXTERNAL POWER SUPPLY VIA THE USB-C CABLE. NO NEED TO REMOVE THE BATTERY WHEN CONNECTED, BUT A RECHARGEABLE BATTERY WILL NOT BE CHARGED AT THIS TIME.

OPERATION OVERVIEW



- + PRESS AND HOLD THE POWER BUTTON (3) TO TURN ON THE DEVICE.
- + ROTATE THE FOCUS RING (7) OF THE OBJECTIVE LENS TO FOCUS ON THE TARGET.
- + SHORT PRESS THE POWER BUTTON TO CALIBRATE THE IMAGE.
- + SHORT PUSH THE JOYSTICK LEFT TO ADJUST THE PALETTE MODE.
- + SHORT PUSH JOYSTICK RIGHT TO ADJUST THE BRIGHTNESS OF THE SCREEN.
- + LONG PUSH JOYSTICK LEFT TO ENGAGE STADIAMETRIC RANGEFINDER.
- + LONG PUSH JOYSTICK RIGHT TO ENGAGE ANCILLARY RANGEFINDER.
- + SHORT PUSH JOYSTICK UP TO ADJUST THE MAGNIFICATION (1 – 4X).
- + LONG PUSH JOYSTICK UP TO ENGAGE PICTURE- IN-PICTURE (2 – 8X).
- + SHORT PUSH JOYSTICK DOWN TO TAKE A PHOTO.
- + LONG PUSH JOYSTICK DOWN TO START AND END A VIDEO.
- + SHORT PRESS THE JOYSTICK IN TO ENTER THE SHORTCUT MENU TO SET RETICLE COLOR (PUSHING JOYSTICK UP), RETICLE TYPE (PUSHING JOYSTICK DOWN), ZEROING DISTANCE (PUSHING JOYSTICK LEFT), AND ENGAGING THE LASER AND SPECIFIED LASER CALIBRATION (PUSHING JOYSTICK RIGHT).
- + LONG PRESS THE JOYSTICK IN TO ENTER THE MAIN MENU INTERFACE FOR MORE FUNCTION SETTINGS.
- + HOLD DOWN POWER BUTTON UNTIL “STANDBY” IS DISPLAYED AND THEN RELEASE POWER BUTTON TO ENGAGE SLEEP MODE. SHORT PRESS POWER BUTTON TO WAKE UP UNIT.
- + HOLD DOWN POWER BUTTON UNTIL TIMER COUNTS DOWN FROM 3 TO 0 TO FULLY POWER DOWN THE UNIT.

RETICLE PARAMETERS

VISION OPTICS

TYPE	SECTION	MOA
		INCHES @ 100 YDS
	SECTION A	35.1
	SECTION B	35.1
	SECTION C	4.4
	SECTION A	35.1
	SECTION B	35.1
	SECTION C	4.4
	SECTION D	315.9
	SECTION E	17.5
	SECTION A	2.2
	SECTION B	263.2
	SECTION C	140.4
	SECTION D	17.5
	SECTION A	35.1
	SECTION B	35.1
	SECTION C	2.2
	SECTION D	17.5
	SECTION E	315.9
	SECTION F	140.4
	SECTION G	17.5
	SECTION A	35.1
	SECTION B	35.1
	SECTION C	2.2
	SECTION D	245.7
	SECTION E	351
	SECTION F	4.4
	SECTION A	35.1
	SECTION B	35.1
	SECTION C	2.2
	SECTION D	17.5
	SECTION E	17.5
	SECTION F	140.4
	SECTION G	17.5
	SECTION H	8.8

BUTTON OPERATION

BUTTON	CURRENT STATUS	BUTTON OPERATION	BUTTON OPERATING TIME	
			SHORT	LONG
POWER 	1) POWERED OFF	PRESS	1) - - - -	1) POWER ON DEVICE
	2) HOME SCREEN		2) SHUTTER CALIB.	2/3) POWER OFF STANDBY THE DEVICE
	3) SHORTCUT MENU		3) SAVE AND RETURN TO HOME SCREEN	
	4) MAIN MENU ZEROING PIXEL DEFECT CORRECTION LASER CALIBRATION		4) RETURN TO THE UPPER INTERFACE WITHOUT SAVING	4) - - - -
	5) STANDBY MODE		5) WAKE UP THE DEVICE	5) - - - -
JOYSTICK 	HOME SCREEN	1) PUSH UP	1) DIGITAL ZOOM	1) TURN PIP ON/OFF
		2) PUSH DOWN	2) TAKE A PHOTO	2) START/END VIDEO RECORDING
		3) PUSH LEFT	3) SWITCH THE PALETTE	3) TURN STADIAMETRIC RANGEFINDER ON/OFF
		4) PUSH RIGHT	4) SWITCH THE DISPLAY BRIGHTNESS	4) ENGAGE ANCILLARY RANGEFINDER
	SHORT PRESS JOYSTICK TO ACTIVATE SHORTCUT MENU INTERFACE	1) PUSH UP	1) SWITCH THE RETICLE COLOR	1) - - - -
		2) PUSH DOWN	2) SWITCH THE RETICLE TYPE	2) - - - -
		3) PUSH LEFT	3) SWITCH THE ZEROING DISTANCE	3) - - - -
		4) PUSH RIGHT	3) SWITCH THE LASER INDICATED DISTANCE	4) - - - -
		5) PRESS	5) - - - -	5) SAVE & RETURN TO HOME SCREEN
	1) MAIN MENU ZEROING PIXEL DEFECT CORRECTION LASER CALIBRATION	1) PUSH	1) UP, DOWN, LEFT, RIGHT TO MOVE SLOWLY	1) UP, DOWN, LEFT, RIGHT TO MOVE QUICKLY
	2) MAIN MENU: LASER CALIBRATION	2) PRESS	2) ENTER SUBMENU CONFIRM THE SELECTION (10M-30M-50M)	2/3) SAVE & RETURN TO HOME SCREEN
	3) MAIN MENU: PIXEL DEFECT CORRECTION INTERFACE	3) PRESS	3) ADD / DELETE DEFECTIVE PIXEL	
	4) MAIN MENU: ZEROING PROFILE	4) PRESS	4) SELECT PROFILE A,B,C	4) - - - -

SAFETY WARNINGS

PLEASE PAY ATTENTION TO THE FOLLOWING:

- + Do not point the laser at eyes.
- + Do not look into the laser with optical devices.
- + Do not disassemble, alter, or repair the laser yourself.
- + The laser can be hazardous to your health.
- + The wave length of the laser is 650 nm.
- + The maximum power is 5mW.

**THE PRODUCT HAS BEEN TESTED TO MEET THE FOLLOWING STANDARDS:
LASER RADIATION, AVOID DIRECT EYE EXPOSURE, CLASS 3R LASER PRODUCT.**

FCC STATEMENT

LABELING REQUIREMENTS

This device complies with part 15 of the FCC Rules. Operation is subject to the following two conditions: (1) This device may not cause harmful interference, and (2) this device must accept any interference received, including interference that may cause undesired operation.

INFORMATION TO THE USER

Any changes or modifications not expressly approved by the party responsible for compliance could void the user's authority to operate the equipment.

NOTE: This equipment has been tested and found to comply with the limits for a Class B digital device, pursuant to part 15 of the FCC Rules. These limits are designed to provide reasonable protection against harmful interference in a residential installation. This equipment generates uses and can radiate radio frequency energy and, if not installed and used in accordance with the instructions, may cause harmful interference to radio communications. However, there is no guarantee that interference will not occur in a particular installation.

If this equipment does cause harmful interference to radio or television reception, which can be determined by turning the equipment off and on, the user is encouraged to try to correct the interference by one or more of the following measures:

- + Reorient or relocate the receiving antenna.
- + Increase the separation between the equipment and receiver.
- + Connect the equipment into an outlet on a circuit different from that to which the receiver is connected.
- + Consult the dealer.

SPECS

MAGNIFICATION: 1 - 4X
THERMAL SENSOR: 384 X 288
PIXEL SIZE: 12 μ m
FRAME RATE: 50 HZ
OBJECTIVE LENS: 25 MM
FIELD OF VIEW: 55 FT @ 100 YD
DETECTION RANGE: 1,700 YD
RECOGNITION RANGE: 750 YD
STADIAMETRIC RANGEFINDING: YES
PICTURE IN PICTURE (PIP): YES
PIP: 2 - 8X
NETD: \leq 40 MK
TEMP. VARIATION DETECTION: 0.07° F
DISPLAY: 800 X 600 2.56" AMOLED
LASER: 650 NM
RETICLE: 6 PATTERNS AND 4 COLOR OPTIONS
COLOR PALETTE: 5
POWER SUPPLY: RECHARGEABLE 18500 BATTERY
BATTERY: 18650 COMPATIBILITY
BATTERY LIFE: 5 HOURS
IP RATING: IP67
DIMENSION: 2.6 IN X 3.54 IN X 3.46 IN
WEIGHT: 1.05 LB
INTERNAL MEMORY: 32 GB
MOUNT: QUICK RELEASE PICATINNY
PHOTO AND VIDEO: YES



DISCOVER **THE UNSEEN.**

**FOR CUSTOMER SERVICE CONTACT US AT:
EMAIL: SUPPORT@XVISIONOPTICS.COM | PHONE: 833.993.2382**

**PATENTED IN EU, USA, TAIWAN & CHINA
US PATENT NO. US 10,466,467 B2**

