



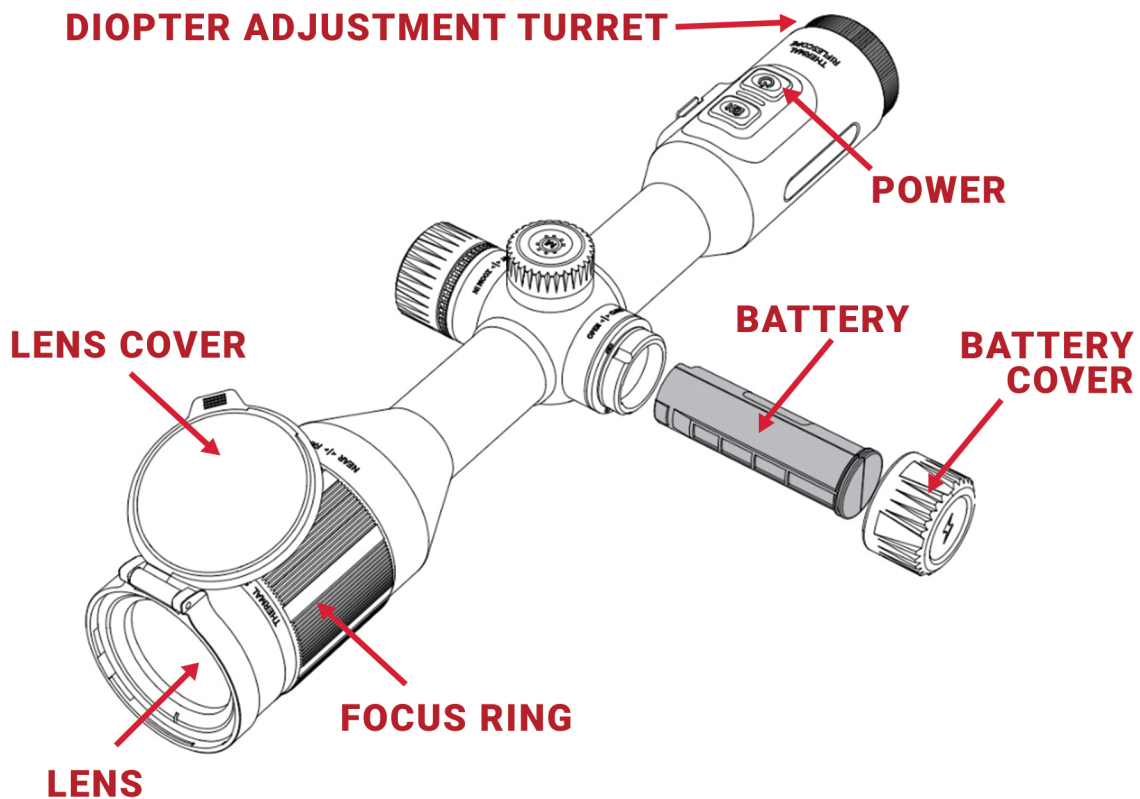
# IMPACT SERIES

## THERMAL SCOPES

TS300 & TS200

## QUICK START GUIDE

- **Insert battery (included).**
- **Press and hold power button to turn on the unit.**
- **Turn the Diopter Adjustment Turret to bring screen into focus.**
- **Turn the primary focus ring left or right to bring target into focus.**
- **Use Menu turret to adjust pallet and navigate menu options.**



# HELPFUL HINTS

- **Thermal does not work through glass (will show only reflection).**
- **Turn scope off when not in use to conserve battery power, make sure battery is fully charged before use.**
- **Make sure scope is fully powered off prior to removing battery.**
- **Remove objective lens cover when thermal scope is in use.**

## Download the App

- **If you want to download your images and video from the scope, download TargetIR.**
- **APP: TargetIR**
- **Passcode: 12345678**
- **Multiple devices can connect simultaneously to one device (scope).**

