

TYR



01.07.2022

Verkaufspreisliste – EURO



Range

TYR

TYR is the series where you get the nature completely into your home - the interplay between steel and wood gives TYR a solid, natural and quality expression. The series contains endless possibilities.

This range include

Dining tables | Coffee tables
Sideboards | HIFI sideboards
Benches

Features —

Design elements

Choose between different designs on plates, legs and edgeprofiles.

Custommade

In addition to our many standard sizes we can accommodate special requests.

Wood colours

Choose between more than 10+ different wood colours in both ash and oak.

Sustainable choice

Solid wood furniture can last a lifetime with proper maintenance

Social media —

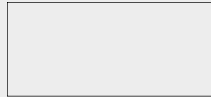
Follow and share with us on Instagram.

 @FASMAS | #FASMAS

INFO

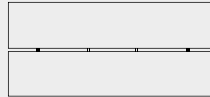
Customize your new dining table

CHOOSE PLATE & THICKNESS



1 PLANK

3 cm or 4 cm



2 PLANK

3 cm or 4 cm



3 PLANK

3 cm or 4 cm

CHOOSE EDGE PROFILE



STRAIGHT



**ANGLED
on the long sides**



**NATURAL CURVED*
on the long sides**

CHOOSE SIZE

We offer a wide range of standard sizes, but for an extra fee it is also possible to get tables in special sizes.

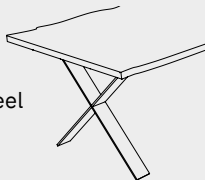
All tables here are prepared for end leaves.

STANDARD SIZES

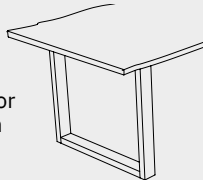
160 x 90 cm
180 x 90 cm
200 x 100 cm
220 x 100 cm
240 x 100 cm
260 x 100 cm
290 x 100 cm

CHOOSE LEGS

X
X-leg in steel
10x2 cm



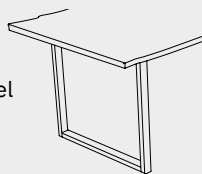
1 or 7
U-leg in steel or wood
8x4 cm



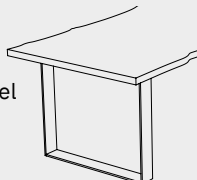
HX
X-leg in steel
10x10 cm



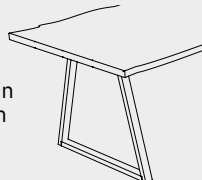
2
U-leg in steel
5x3 cm



6
U-leg in steel
10x1 cm

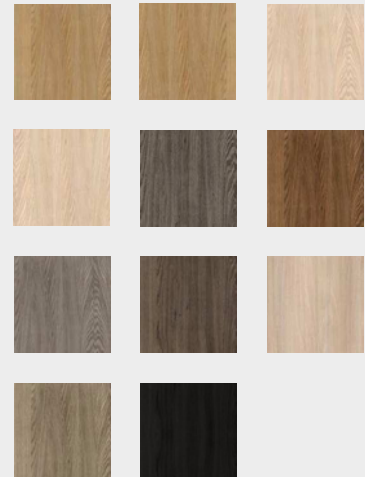


8
Trapez-leg in steel
5x3 cm

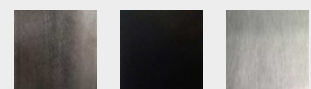


See all leg positions at the back of this pricelist.

CHOOSE WOOD COLOUR



STEEL COLOUR OPTIONS**



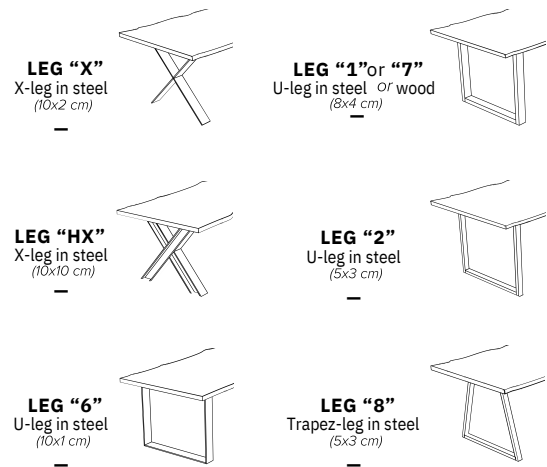
Read more about this at the back of this pricelist.

*This is the natural - debarked - edge of the wooden planks. Each edge is unique which means that the curvature can be more or less expressive from one table to another.

**Standard is industrial or black steel, but stainless steel can be offered on leg 1, 2 & 8.

PRICELIST

Dining tables with 30 mm plate thickness (prepared for leaves)



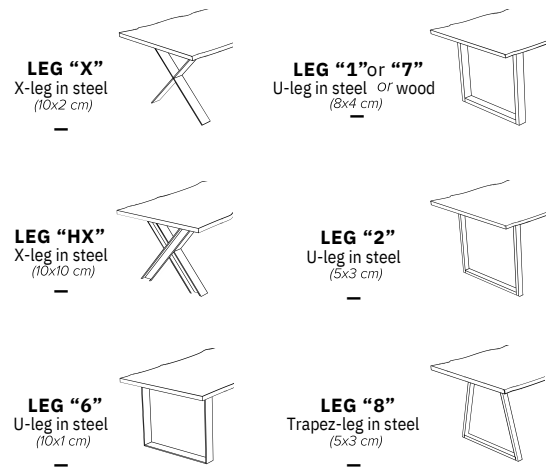
| Variant | Size (cm) | | Item no. | | | Price (EUR) | |
|---|-----------|-----|----------|---------|---------|-------------|-------------|
| | L | W | 1-plank | 2-plank | 3-plank | ASH | OAK |
| 30 mm plate thickness (table height 74 cm) | | | | | | | |
| With leg variant: | 160 | 90 | 00207 | 20207 | 00107 | 3077 | 3554 |
| steel leg X | 180 | 90 | 00209 | 20209 | 00109 | 3239 | 3742 |
| steel leg HX | 200 | 100 | 00210 | 20210 | 00110 | 3515 | 4060 |
| steel leg 6 | 220 | 100 | 00211 | 20211 | 00111 | 3753 | 4334 |
| | 240 | 100 | 00213 | 20213 | 00113 | 3963 | 4577 |
| | 260 | 100 | 00215 | 20215 | 00115 | 4359 | 5035 |
| | 290 | 100 | 00217 | 20217 | 00117 | 5231 | 6042 |
| With leg variant: | 160 | 90 | 00207 | 20207 | 00107 | 2676 | 3091 |
| steel leg 1* | 180 | 90 | 00209 | 20209 | 00109 | 2817 | 3254 |
| steel leg 2* | 200 | 100 | 00210 | 20210 | 00110 | 3056 | 3530 |
| steel leg 8* | 220 | 100 | 00211 | 20211 | 00111 | 3263 | 3769 |
| wooden leg 7 | 240 | 100 | 00213 | 20213 | 00113 | 3446 | 3980 |
| | 260 | 100 | 00215 | 20215 | 00115 | 3790 | 4378 |
| | 290 | 100 | 00217 | 20217 | 00117 | 4548 | 5254 |

| Leaf | L | W | 1-plank | 2-plank | 3-plank | ASH | OAK |
|------------------|----|----|---------|---------|---------|------------|------------|
| for tables 30 mm | 50 | 90 | 00200 | 20200 | 00100 | 465 | 547 |
| | 50 | 10 | 00201 | 20201 | 00101 | 483 | 583 |

*Standard steel is industrial (A) or black (B), but these legs can be made in stainless steel (C) +10%.

PRICELIST

Dining tables with 40 mm plate thickness (prepared for leaves)



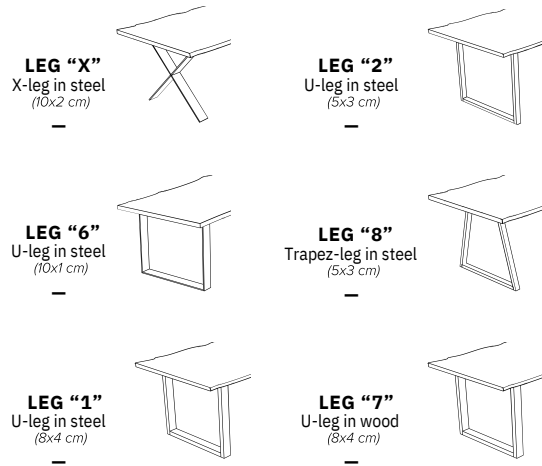
| Variant | Size (cm) | | Item no. | | | Price (EUR) | |
|---|--------------------------|-----|----------|---------|---------|-------------|-------------|
| | L | W | 1-plank | 2-plank | 3-plank | ASH | OAK |
| 40 mm plate thickness (table height 75 cm) | | | | | | | |
| <i>With leg variant:</i> | 160 | 90 | 00227 | 20227 | 00127 | 3385 | 3724 |
| steel leg X | 180 | 90 | 00229 | 20229 | 00129 | 3563 | 3920 |
| steel leg HX | 200 | 100 | 00230 | 20230 | 00130 | 3866 | 4253 |
| steel leg 6 | 220 | 100 | 00231 | 20231 | 00131 | 4128 | 4541 |
| | 240 | 100 | 00233 | 20233 | 00133 | 4359 | 4795 |
| | 260 | 100 | 00235 | 20235 | 00135 | 4795 | 5274 |
| | 290 | 100 | 00237 | 20237 | 00137 | 5754 | 6329 |
| | <i>With leg variant:</i> | 160 | 90 | 00227 | 20227 | 00127 | 2944 |
| steel leg 1* | 180 | 90 | 00229 | 20229 | 00129 | 3098 | 3408 |
| steel leg 2* | 200 | 100 | 00230 | 20230 | 00130 | 3362 | 3698 |
| steel leg 8* | 220 | 100 | 00231 | 20231 | 00131 | 3590 | 3948 |
| wooden leg 7 | 240 | 100 | 00233 | 20233 | 00133 | 3790 | 4170 |
| | 260 | 100 | 00235 | 20235 | 00135 | 4169 | 4586 |
| | 290 | 100 | 00237 | 20237 | 00137 | 5003 | 5504 |

| Leaf | L | W | 1-plank | 2-plank | 3-plank | ASH | OAK |
|------------------|----|----|---------|---------|---------|------------|------------|
| for tables 40 mm | 50 | 90 | 00220 | 20220 | 00120 | 558 | 601 |
| | 50 | 10 | 00221 | 20221 | 00121 | 580 | 642 |

*Standard steel is industrial (A) or black (B), but these legs can be made in stainless steel (C) +10%.

PRICELIST

Benches with 30 or 40 mm plate thickness



| Variant | Size (cm) | | Item no. | | Price (EUR) | |
|---|-----------|----|---------------|---------------|-------------|-------------|
| | L | W | 30** mm plate | 40** mm plate | ASH | OAK |
| With leg variant: steel leg X | 160 | 40 | 00620 | 00630 | 1673 | 1859 |
| | 180 | 40 | 00621 | 00631 | 1725 | 1917 |
| | 200 | 40 | 00622 | 00632 | 1779 | 1977 |
| | 220 | 40 | 00623 | 00633 | 1834 | 2038 |
| | 240 | 40 | | 00634 | 2050 | 2277 |
| With leg variant: steel leg 6 | 160 | 40 | 00620 | 00630 | 1924 | 2138 |
| | 180 | 40 | 00621 | 00631 | 1984 | 2205 |
| | 200 | 40 | 00622 | 00632 | 2046 | 2273 |
| | 220 | 40 | 00623 | 00633 | 2109 | 2344 |
| | 240 | 40 | | 00634 | 2357 | 2619 |
| With leg variant: steel leg 1* steel leg 2* steel leg 8* wooden leg 7 | 160 | 40 | 00620 | 00630 | 1455 | 1617 |
| | 180 | 40 | 00621 | 00631 | 1500 | 1667 |
| | 200 | 40 | 00622 | 00632 | 1547 | 1719 |
| | 220 | 40 | 00623 | 00633 | 1595 | 1772 |
| | 240 | 40 | | 00634 | 1782 | 1980 |

*Standard steel is industrial (A) or black (B), but these legs can be made in stainless steel (C) +10%.

**When 30 mm plate, total height is: 44 cm. When 40 mm plate, total height is: 45 cm.

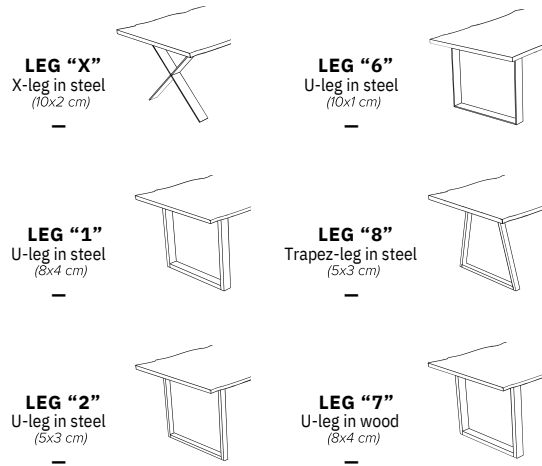


1 PLANK

3 cm or 4 cm

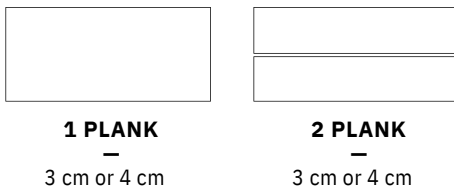
PRICELIST

Coffee tables with 30 or 40 mm plate thickness



| Variant | Size (cm) | | Item no. | | Price (EUR) | |
|---|-----------|----|----------|---------|-------------|-------------|
| | L | W | 1-plank | 2-plank | ASH | OAK |
| 30 mm plate thickness (height 45 cm) | | | | | | |
| With steel leg: | 60 | 60 | 00255 | 20255 | 1123 | 1404 |
| X, 1*, 2*, 6, 8* | 90 | 90 | 00256 | 20256 | 1250 | 1562 |
| or with | 115 | 65 | 00257 | 20257 | 1216 | 1520 |
| wooden leg: | 130 | 70 | 00258 | 20258 | 1330 | 1662 |
| 7 | 140 | 80 | 00259 | 20259 | 1429 | 1786 |
| 40 mm plate thickness (height 46 cm) | | | | | | |
| With steel leg: | 60 | 60 | 00265 | 20265 | 1291 | 1614 |
| X, 1*, 2*, 6, 8* | 90 | 90 | 00266 | 20266 | 1437 | 1797 |
| or with | 115 | 65 | 00267 | 20267 | 1398 | 1748 |
| wooden leg: | 130 | 70 | 00268 | 20268 | 1529 | 1911 |
| 7 | 140 | 80 | 00269 | 20269 | 1643 | 2054 |

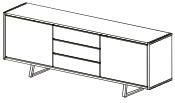
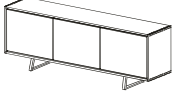

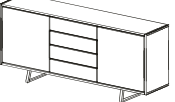
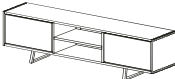
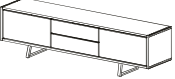
*Standard steel is industrial (A) or black (B), but these legs can be made in stainless steel (C) +10%.



PRICELIST

Sideboards



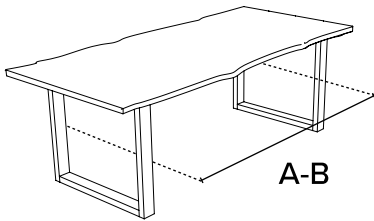
| Sideboard variant | item no. | Size (cm) | | | Price (EUR) | |
|---|----------|-----------|----|----|-------------|-------------|
| | | W | D | H | ASH | OAK |
| <i>With steel leg: 8* or 2* or with wooden leg: 7</i> | | | | | | |
|  w/2 doors & 3 drawers | 6942 | 200 | 45 | 70 | 3231 | 3877 |
|  w/3 doors | 6943 | 200 | 45 | 70 | 3053 | 3664 |
|  w/1 door & 4 drawers | 6930 | 135 | 45 | 87 | 2969 | 3577 |
|  w/2 doors & 4 drawers | 6932 | 200 | 45 | 87 | 3885 | 4662 |
|  HIFI** w/2 doors & 1 open room | 6981 | 200 | 45 | 53 | 2431 | 2917 |
|  HIFI** w/4 doors (2 flip-down) | 6982 | 200 | 45 | 53 | 2787 | 3345 |

*Standard steel is industrial (A) or black (B), but these legs can be made in stainless steel (C) +10%.

**The HIFI sideboards are with holes for wires in the back.

INFO

Distance between legs on the dining tables



| Leg variant | Table length | A-B measure* |
|---------------------------|--------------|--------------|
| Leg X & HX | 160 | 94 |
| | 180 | 114 |
| | 200 | 134 |
| | 220 | 154 |
| | 240 | 174 |
| | 260 | 194 |
| | 290 | 224 |
| Leg 1 & 7 | 160 | 98 |
| | 180 | 118 |
| | 200 | 138 |
| | 220 | 158 |
| | 240 | 178 |
| | 260 | 198 |
| | 290 | 228 |
| Leg 2 & 8 | 160 | 104 |
| | 180 | 124 |
| | 200 | 144 |
| | 220 | 164 |
| | 240 | 184 |
| | 260 | 204 |
| | 290 | 234 |
| Leg 6 | 160 | 115 |
| | 180 | 135 |
| | 200 | 155 |
| | 220 | 175 |
| | 240 | 195 |
| | 260 | 215 |
| | 290 | 245 |

*The distance between the legs. This gives you an idea of how many chairs to fit in.

WOOD COLOURS —

TYR —



Images for guiding purpose only!
The wood structure and colour will vary from ash and oak.

We therefore recommend using the wood samples/exhibition furniture to get a more accurate impression.



ASH C3 / OAK C3
Lacquered

We treated this wood with lacque.

C3 are only made for products without patination.



ASH C4 / OAK C4
Natural oiled

We treated this wood with our 'Natural oil'.



ASH C6 / OAK C6
White oiled

We treated this wood with our 'White oil'.



ASH C8 / OAK C8
Soaped

We treated this wood with soap.



ASH C11 / OAK C11
Dark grey oiled

We treated this wood with our 'Black oil'.



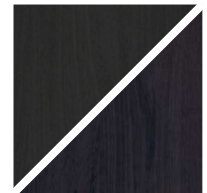
ASH C12 / OAK C12
Antique brown oiled

We treated this wood with our 'Antique brown oil'.



ASH C13 / OAK C13
Light grey oiled

We treated this wood with our 'Light grey oil'.



ASH C14 / OAK C14
Black stained & oiled

We treated this wood with black stain, and treated it with a wax oil.

C14 is for legs and storage furniture only!



ASH C15 / OAK C15
Mocca brown oiled

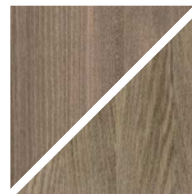
We treated this wood with our 'Mocca brown oil.'



ASH C16
Warm white oiled

We treated this wood with our 'Warm white oil'.

C16 is only for ash



ASH C20 / OAK C20
Grey brown oiled

We treated this wood with our 'Grey brown oil'.



ASH C44 / OAK C44
Black matt lacquered

We treated this wood with black stain, and treated it with matt lacque.

C44 is only for plates and can only be made for products without patination.



For more information about maintenance, please visit our website:
WWW.FASMAS.DE



We also offer our own repairkits for our products
- contact us if you need a pricelist.

WOOD FINISH —



UP

Without patination
The wood is planned and sanded to achieve a smooth surface.

With few and smaller knots.

Storage furniture can only be made with this finish!

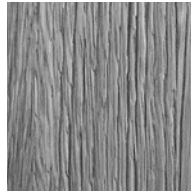


SC

Soft Cracks

Naturally occurring cracks are made more visible which gives a rustic look with cracks in the wood that has been rough-surfaced by natural wear.

May contain more and larger knots.



RL

Raw Look

We brush off the layer of softer wood which gives a look of a rustic look with cracks in the wood that has been rough-surfaced by natural wear.

May contain more and larger knots.



FK

Filled Knots

The knots are filled and the wood is planned and sanded to achieve a smooth surface.

Only for OAK!

AP

Antique patination
Scratches and other fake signs of wear is added to give the wood a patinated look as if the wood has been worn.

May contain more and larger knots.

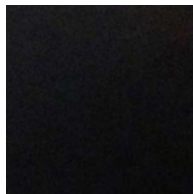
STEEL FINISH — COLOUR &



A

Industrial steel

Industrial steel has a raw and matte appearance with shades of colors emerged during casting.



B

Black painted steel

Black painted steel has a graphical and simple look, that fits nicely in most homes.



C

Brushed stainless steel

Brushed, stainless steel has an elegant appearance with a uniform finish created by hand.

Extra cost!
Not available on tables with leg X, HX and 6.

SPACERS —



The spacers between the planks will be same material/finish as you choose the legs to be.