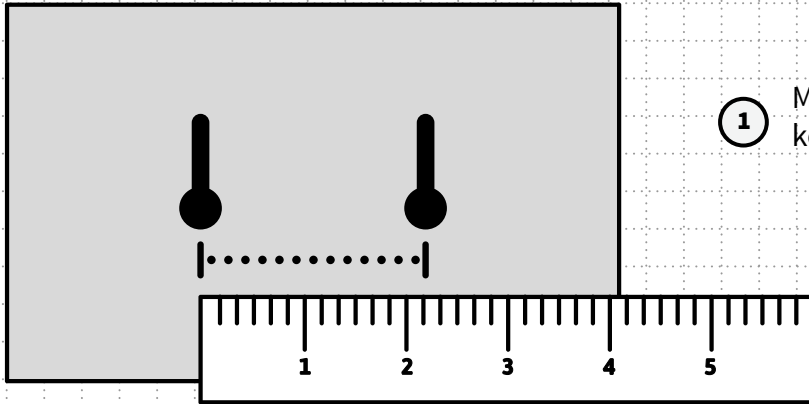
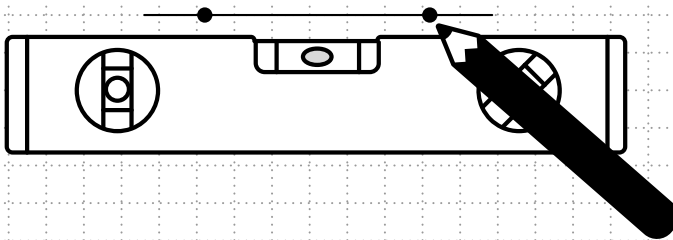


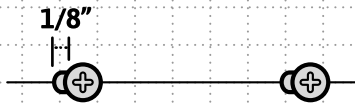
## HOW TO INSTALL YOUR BOTTLE OPENER



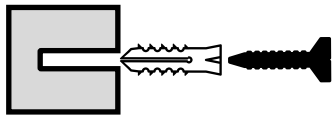
- ① Measure the distance between keyholes on back of the bottle opener.



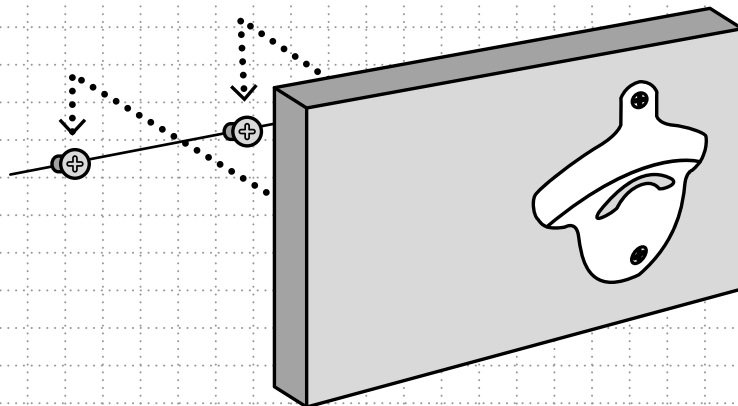
- ② Using a level and a pencil draw a line on the wall. Make two small dots on the line; space them apart using the measurement taken in Step 1.



- ③ Drill screws into the marked dots. Leave the screws about 1/8" protruding from the wall. Drill at least one screw into a stud.



**\*\*OPTIONAL\*\*** If you are unable to locate a stud, use the provided wall anchors. Pre-drill a hole that is slightly smaller than the anchor. Use a hammer to gently tap anchor into hole. Drill the screw into the anchor leaving about 1/8" protruding from the wall.



- ④ Fit keyholes onto screws and push down to secure the bottle opener to the wall. Enjoy!