



This product must be installed by a licensed electrician

Features

- Wi-Fi (No hub required)
- Neutral wire required
- Touch capacitive switches
- Blue backlight to indicate switch status
- Retrofit to standard mounting brackets
- White, UV resistant material
- Combination head screws
- On/off control via the app (both individual & master)
- Customizable timers & schedules via the app
- Works with both Amazon Alexa and Google Assistant
- 3 year in-home warranty



Network/Device Requirements

Connectivity	Wi-Fi
Requirements	Existing 2.4GHz Wi-Fi network
Protocol	IEEE 802.11 b/g/n
Wireless Frequency	2.4GHz
App Requirements	Mobile device running iOS or Android. (Refer to ikuu.com.au for minimum specs)

Included Accessories

Faceplate, Cut-out template, Mounting screws

Technical Specifications

	SSW05G-WIFI	SSW06G-WIFI
Switches	5	6
Neutral Required	Yes	
Supply Voltage	230 - 250V a.c. 50Hz	
Standby Wattage	<1W	
Operating Load (all channels combined)	Resistive: 300W (each gang) Incandescent: 300W (each gang) LED: 300W (each gang)	
Switched Poles	Active	
IP Rating	IP20 (indoor use only)	
Terminal Size	6mm ² (can fit up to 3 x 2.5mm ² wires per terminal)	
Colour	White	
Rear Colour	Yellow	
Housing Material	Polycarbonate	
Contact Material	Brass	
Weight	180g	180g
Dimensions	115mm x 74mm x 44mm	
Cut-out Dimensions	80mm x 50mm	
Mounting Centres	84mm	
Compliance / Standards	AS/NZS 4268, AS/NZS 60669.1, AS/NZS 60669.2.1, CISPR 15, CISPR 32, AS/NZS 2772.2	



*Download the app using the QR code or visit the iOS or Google Play store.

www.ikuu.com.au



Switches (Wi-Fi)

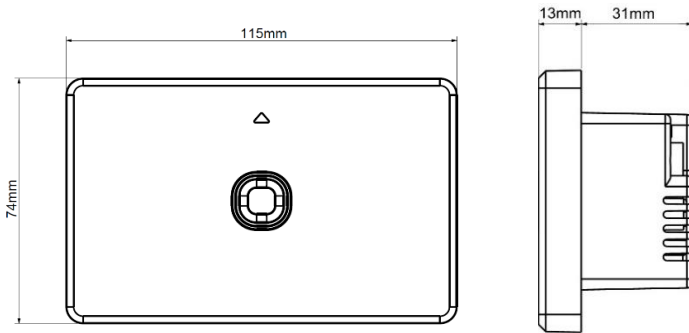
SSW05G-WIFI / SSW06G-WIFI

Isaac series

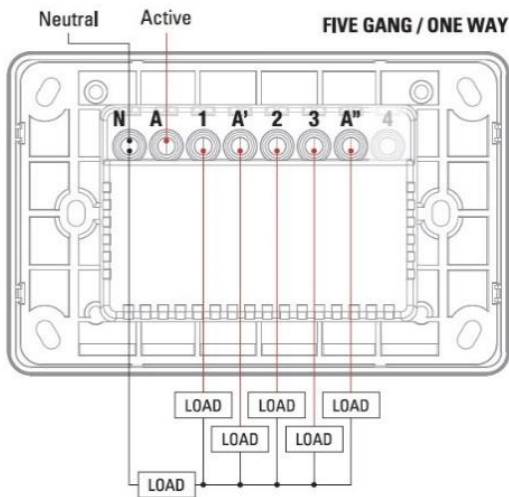


This product must be installed by a licensed electrician

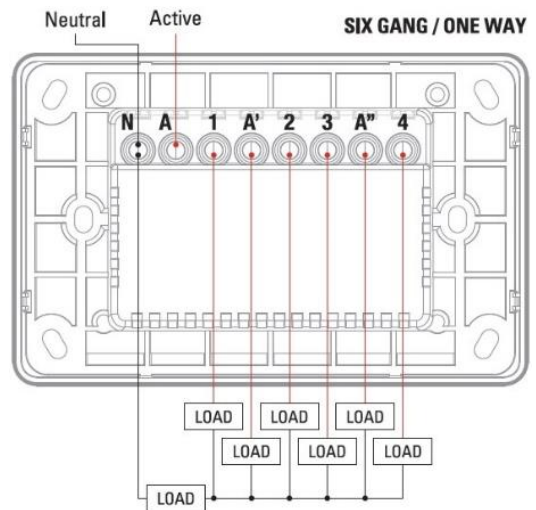
Dimensions



SSW05G-WIFI



SSW06G-WIFI



This product is valid for 3 years in-home warranty from the date of purchase. Please retain proof of purchase and certificate of compliance from the installation to make a claim. Please visit <https://www.mercator.com.au/product-support/warranty> for more information. For Mercator Ikuü contractor or end consumer support please visit www.ikuü.com.au or contact our customer service team on 1300 552 255 or via email at customer@mercator.com.au



*Download the app using the QR code or visit the iOS or Google Play store.

www.ikuü.com.au

