



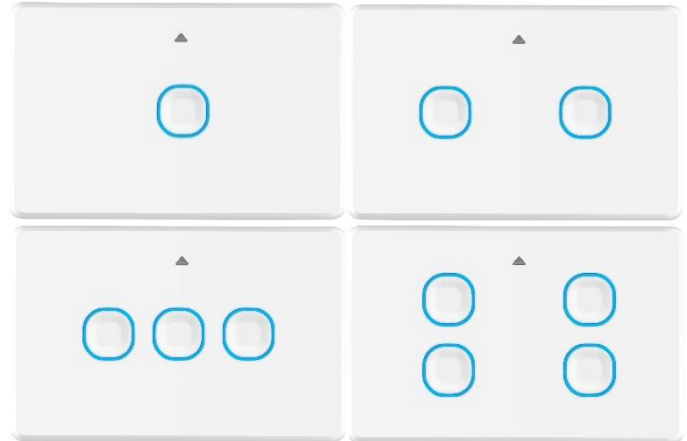
# Switches (Zigbee)

SSW01G / SSW02G / SSW03G / SSW04G  
SSW01GMBK / SSW02GMBK / SSW03GMBK / SSW04GMBK

This product must be installed by a licensed electrician

## Features

- Zigbee 3.0 compliant
- No neutral Required
- Touch capacitive switches
- Blue backlight to indicate switch status
- Retrofit to standard mounting brackets
- White, UV resistant material
- Matt black finish available
- Combination head screws
- On/off control via the app (both individual & master)
- Customizable timers & schedules via the app
- Works with both Amazon Alexa and Google Assistant
- 3 year in-home warranty



## Network/Device Requirements

Connectivity	Zigbee
Requirements	Mercator Ikuü zigbee hub
Protocol	IEEE 802.15.4
Wireless Frequency	2.4GHz
App Requirements	Mobile device running iOS or Android. (Refer to <a href="http://ikuu.com.au">ikuu.com.au</a> for minimum specs)

## Included Accessories

Faceplate, Cut-out template, Mounting screws

## Technical Specifications

	SSW01G SSW01GMBK	SSW02G SSW02GMBK	SSW03G SSW03GMBK	SSW04G SSW04GMBK
Switches	1	2	3	4
Colour	White or Matt black	White or Matt black	White or Matt black	White or Matt black
Neutral Required	No			
Supply Voltage	230 - 250V a.c. 50Hz			
Standby Wattage	<0.05W			
Operating Load (all channels combined)	Resistive: 500W (max) Incandescent: 300W (max) LED: 300W (max)			
Switched Poles	Active			
IP Rating	IP20 (indoor use only)			
Terminal Size	6mm <sup>2</sup> (can fit up to 3 x 2.5mm <sup>2</sup> wires per terminal)			
Rear Colour	Yellow			
Housing Material	Polycarbonate			
Contact Material	Brass			
Weight	135g	140g	145g	150g
Dimensions	115mm x 74mm x 44mm			
Cut-out Dimensions	80mm x 50mm			
Mounting Centres	84mm			
Compliance / Standards	AS/NZS 4268, AS/NZS 60669.1, AS/NZS 60669.2.1, CISPR 15, CISPR 32			

**NOTE: Minimum load required. Contact customer care for more information.**



\*Download the app using the QR code or visit the iOS or Google Play store.

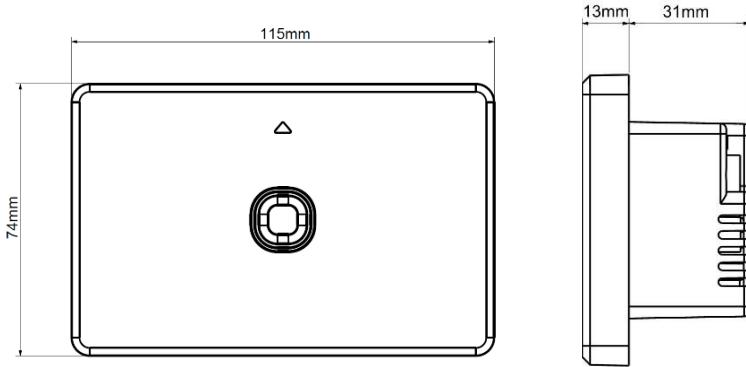


# Switches (Zigbee)

SSW01G / SSW02G / SSW03G / SSW04G  
SSW01GMBK / SSW02GMBK / SSW03GMBK / SSW04GMBK

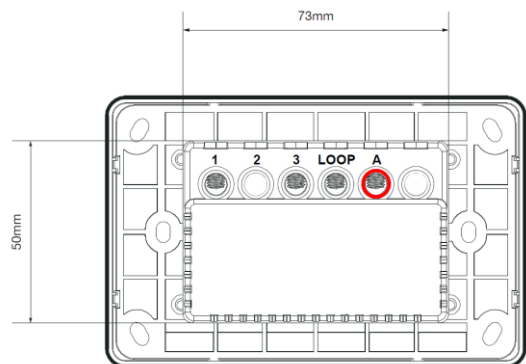
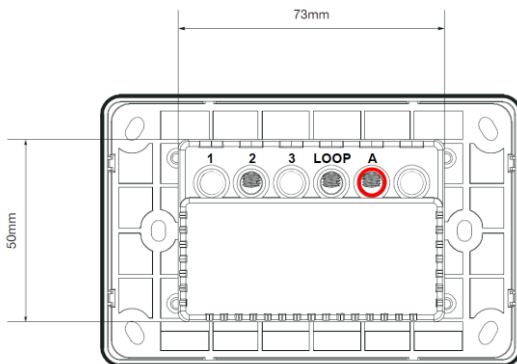
This product must be installed by a licensed electrician

## Dimensions



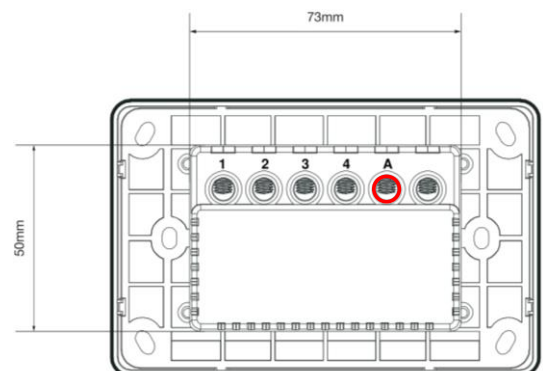
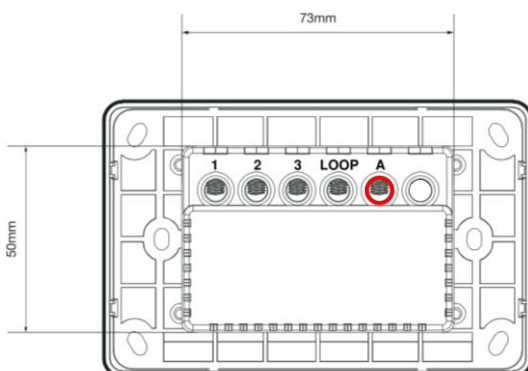
SSW01G

SSW02G



SSW03G

SSW04G



This product is valid for 3 years in-home warranty from the date of purchase. Please retain proof of purchase and certificate of compliance from the installation to make a claim. Please visit <https://www.mercator.com.au/product-support/warranty> for more information. For Mercator Ikuü contractor or end consumer support please visit [www.ikuu.com.au](http://www.ikuu.com.au) or contact our customer service team on 1300 552 255 or via email at [customercare@mercator.com.au](mailto:customercare@mercator.com.au)



\*Download the app using the QR code or visit the iOS or Google Play store.

