

HEADSAIL MEASUREMENT FORM

We require the following information and measurements to enable us to ensure a perfect fit for your new sail. Please note that if asked for max dimensions or max hoist, we will deduct a suitable amount for stretch. Do not measure sails using a rope. It is advisable to use a long fiberglass tape.

CUSTOMER NAME:

BOAT TYPE:

RIG TYPE: FRACTIONAL OR MASTHEAD (circle)

HOW TO COMPLETE THIS FORM:

Either measure existing sail or enter rig dimensions

EXISTING SAIL

Pull sail tight for measurement. Ensure each length is a straight line measurement from head to tack and clew.

MAX LUFF	MAX LEECH	MAX FOOT	LP*
<input type="text"/> ft	<input type="text"/> ft	<input type="text"/> ft	<input type="text"/> ft

* The shortest diagonal distance between the clew and the luff
Attach at clew, sweep measure in arc at luff.

MEASURE YOUR RIG

Attach tape measure to genoa halyard and maximum hoist to top block.

1. Take measurement to deck for **I**
Take measurement direct down to side deck. ft

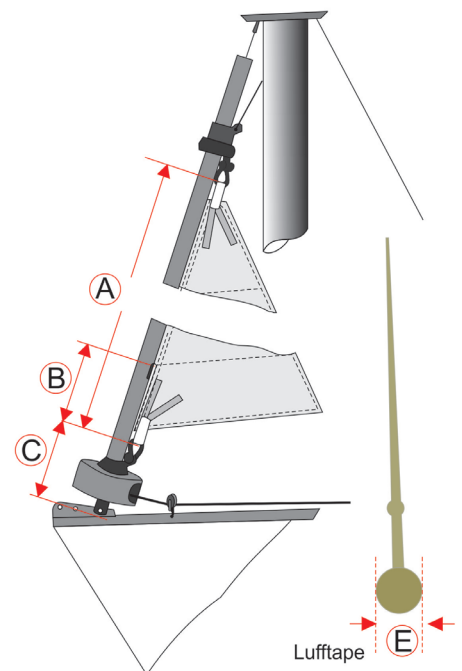
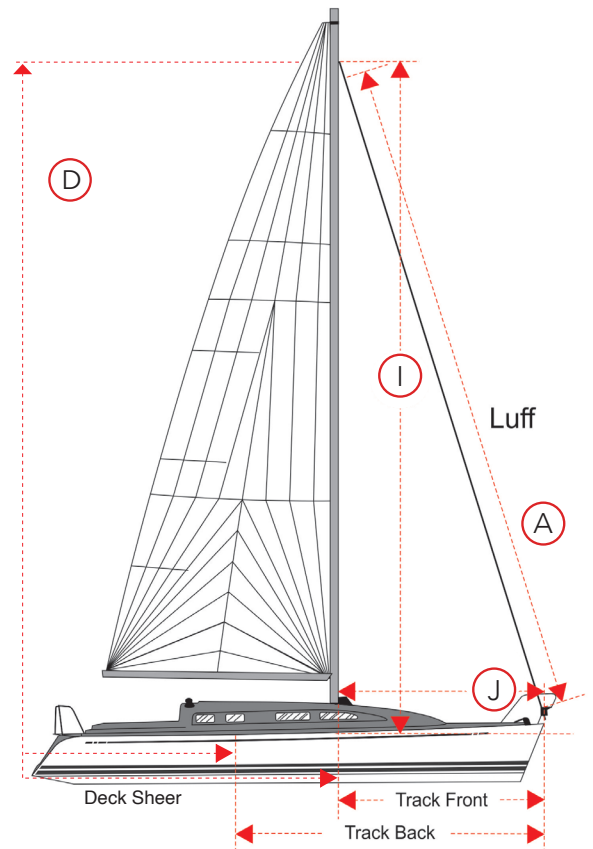
2. Now measure max Luff length **A**
Take measurement to tack pin on furler. ft

3. Track position from tack
Whilst tape measure is attached to tack pin at bow, measure your sheeting track positions to front and back IN STRAIGHT LINE.
TRACK FRONT ft
TRACK BACK ft

4. Now measure "J" length.
Drop halyard, remove tape measure and attach to forestay intersection at bow. Measure length from this position to front of mast. ft

SAIL OPTIONS (circle)

- Sunbrella UV - please confirm colour with sailmaker.
- Foam Luff Yes/No
- UV to Port or Starboard
- Hanks Yes/No If Yes: Forestay Diameter



TACK DETAILS

B Sail insertion height	<input type="text"/> in
C Deck to top of shackle	<input type="text"/> in
E Diameter of luff tape*	<input type="text"/> in

*If measuring groove on foil deduct 1mm.