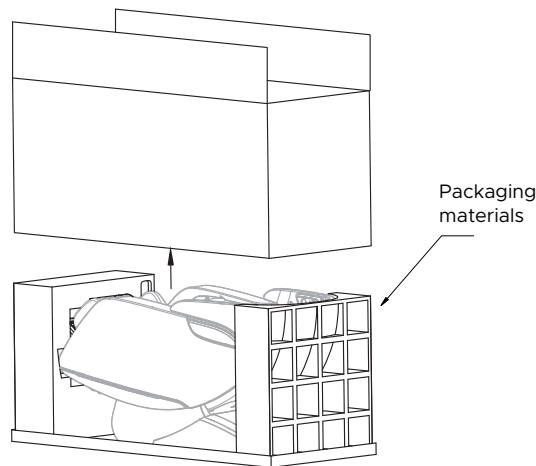


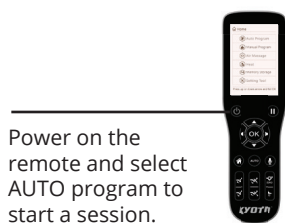
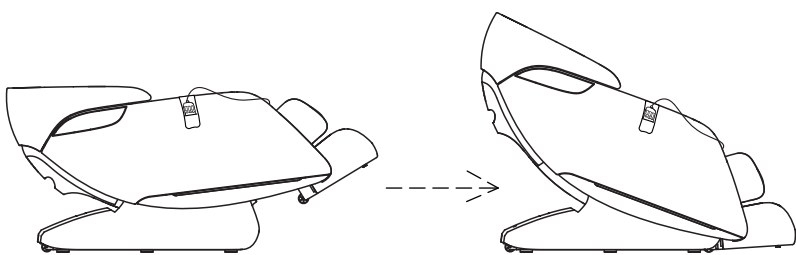
Assembly Guide

Genki M380 Massage Chair

2 Step 2: Open the box and remove packaging materials. Remove protective covering from the chair.



4 Step 4: Press the power button on the remote control once to turn on, then once more to bring the chair into upright position.



Power on the remote and select AUTO program to start a session.

Review chair for smooth operation. If things are not operating correctly, review all assembly steps. Call Kyota support at 800 242-0761 if you need live US-based support.

You are done; time for a Massage!

The Genki massage chair is 29.5" wide and will pass thru doorways 30" (may need to remove door) or greater. Though not recommended, you can further reduce the chair width to 28.82" by removing the arm panels.

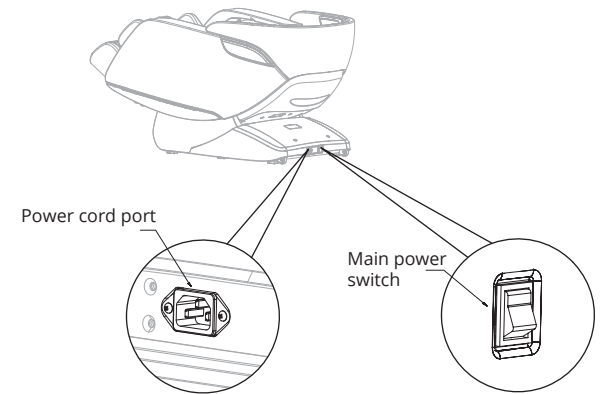
Go to <https://kyotamassagechairs.com/assembly-tutorials> for Arm panel removal instructions. Alternatively, scan the QR code to go directly to the URL above.



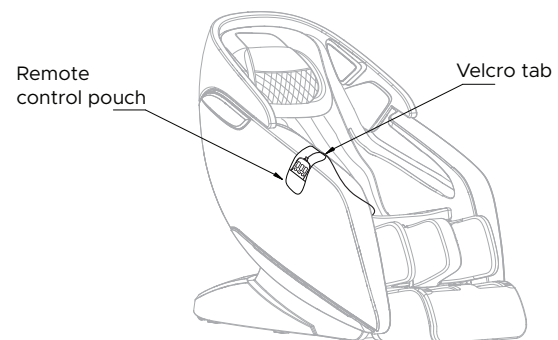
1 Step 1: Carefully check box contents to the detail below, making sure all contents are accounted for. **If anything is missing, please contact Kyota Massage Chairs at 800 242-0761. Do not return to the place of purchase.**

Box 1: Chair Body & Accessory Bag	Accessory Bag
	Power Cord
	Philips Screw Driver
	Spare Fuse
	KYOTA Warranty Card
	KYOTA User Manual
	KYOTA Quick Start Guide
	KYOTA Assembly Guide

3 Step 3: Connect the chair's power cord to a grounded 110V electrical outlet and plug it into the respective port on the back side of the base of the chair. Flip the main power switch on.



5 Step 5: To attach the remote control pouch, locate the velcro tab located under the top of the right arm panel and attach the pouch so that it hangs off the outer edge of the armrest. Your chair is now complete. Sit in and enjoy the comfort of your new Kyota massage chair.



Register your product at www.kyotamassagechairs.com/warranty/registration to ensure it is in our system. This will simplify the warranty process should you ever need it.

Alternatively, scan the QR code to go directly to the URL above.