

SHARPER IMAGE®

AXIS™ 4D MASSAGE CHAIR

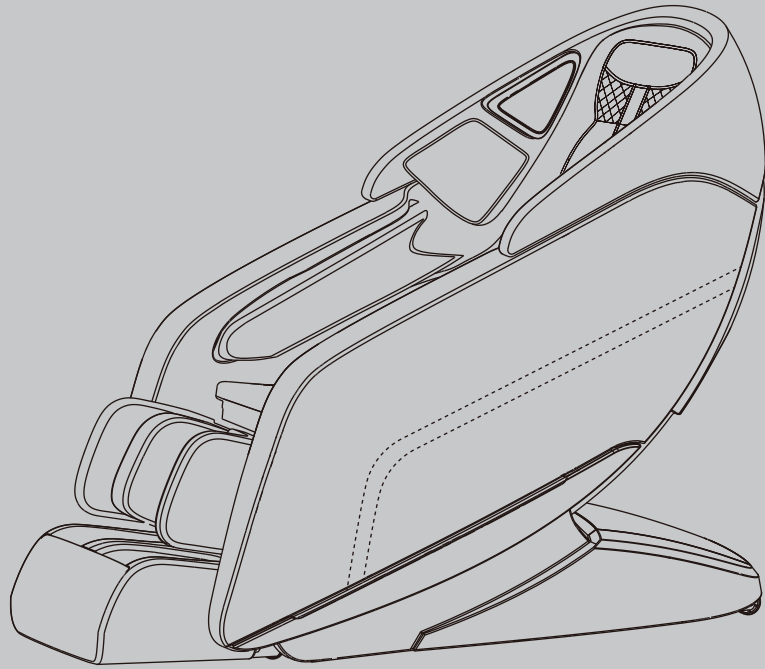


Before assembling your chair, watch an assembly video at:
www.sharperimagemassagechairs.com/assembly-tutorials

Alternatively, scan the QR code to go directly to the URL above.



SCAN CODE

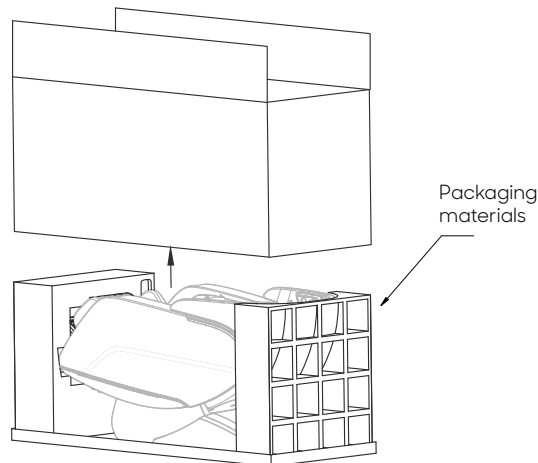


- 1 STEP 1:** Carefully check box contents to the detail below, making sure all contents are accounted for.
If anything is missing, please contact **Sharper Image Massage Chairs at 888-894-9150. Do not return to the place of purchase.**

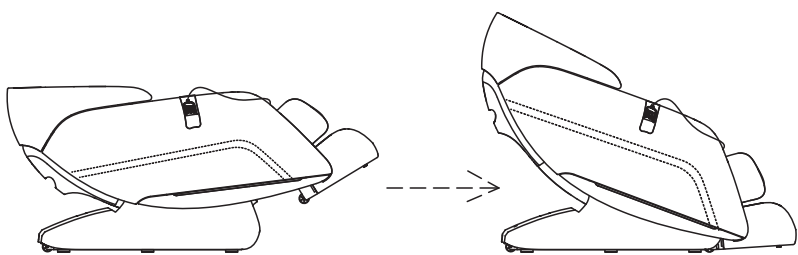
BOX 1: Chair Body & Accessory Bag	ACCESSORY BAG		

ASSEMBLY GUIDE

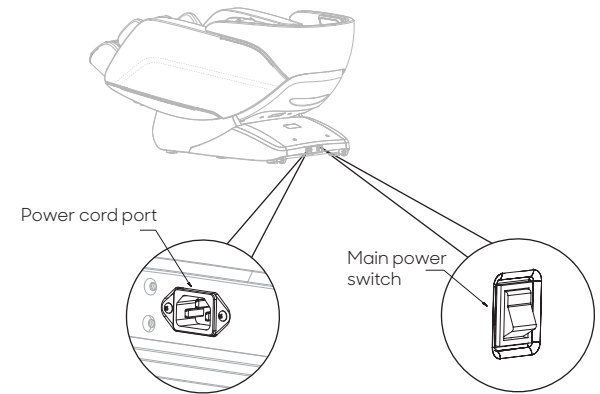
- 2 STEP 2:** Open the box and remove packaging materials. Remove protective covering from the chair.



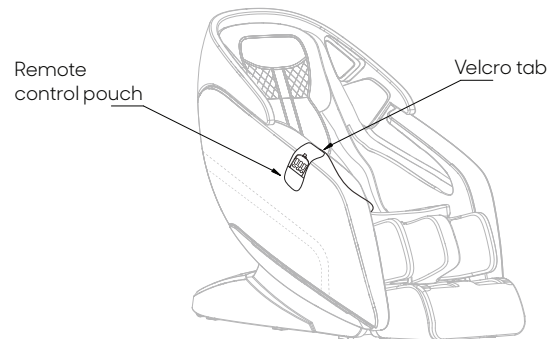
- 4 STEP 4:** Press the power button on the remote control once to turn on, then once more to bring the chair into upright position.



- 3 STEP 3:** Connect the chair's power cord to a grounded 110V electrical outlet and plug it into the respective port on the back side of the base of the chair. Flip the main power switch on.



- 5 STEP 5:** To attach the remote control pouch, locate the velcro tab located under the top of the right arm panel and attach the pouch so that it hangs off the outer edge of the armrest. Your chair is now complete. Sit in and enjoy the comfort of your new Sharper Image massage chair.



Power on the remote and select AUTO program to start a session.



Review chair for smooth operation. If things are not operating correctly, review all assembly steps. Call Sharper Image support at 888-894-9150 if you need live US-based support.

You are done; time for a Massage!

SHARPER IMAGE®
MESSAGE CHAIRS

72 Stard Road, Seabrook, NH 03874
Toll Free #: 888-894-9150
www.sharperimagemassagechairs.com

Version 1.0



SCAN CODE

Register your product at www.sharperimagemassagechairs.com/warranty/registration to ensure it is in our system. This will simplify the warranty process should you ever need it.

Alternatively, scan the QR code to go directly to the URL above.