

GPCA GRIP

Keep calm, get a grip!

Patented

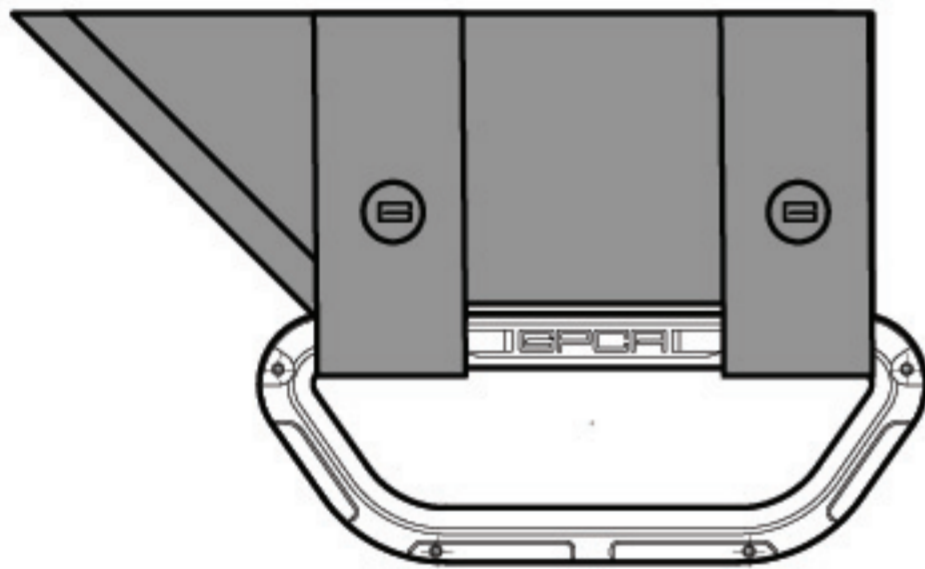
Thank you for choosing the GP-Grip specifically designed for Jeep Wrangler that has padded 3" roll bar. Our unique bandana-shaped handle base and solid-built aluminum handle are sophisticated detailed corresponding to the Jeep design elements. They will become one of your highlight pieces on your loved Jeep. With a quick installation, you will soon experience a solid and sturdy grip for all your rides on/ off road, or simply getting in/ out of the Jeep.

Solid metal construction, no more swinging back-and-forth. With the flip-away handle you can enjoy a full window view and never bump your head when getting in and out or checking your tire placement. *Padded handle wrap offers another layer of comfy grip. *Quick-accessible utility pouch for your life saving emergency tools or more. Use the inner secret pockets for your emergency money, cards or keys or a forgotten surprise for yourself later on.

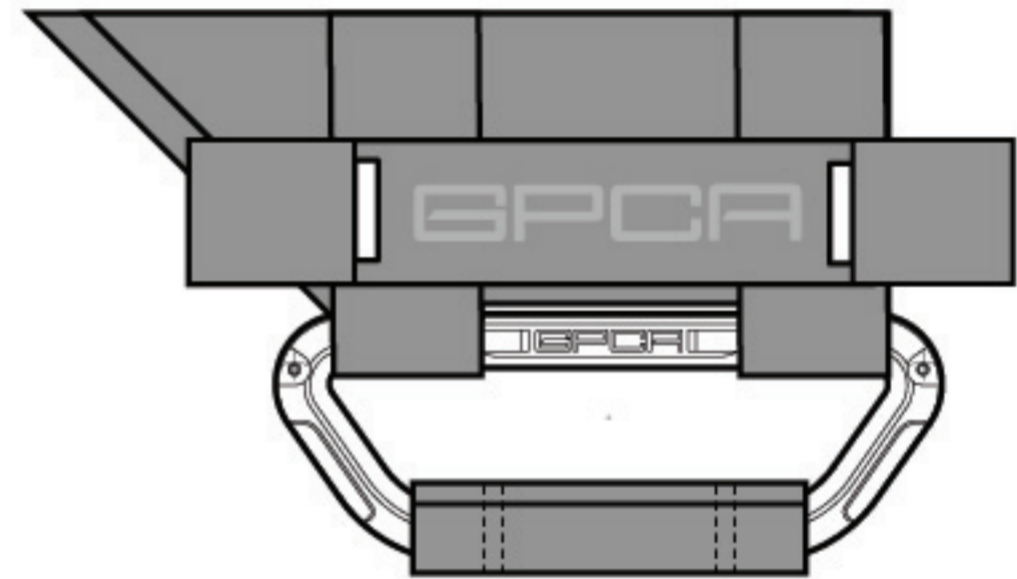
What is included in the package *check your model

*Illustrations may be slightly different than actual product

GP-GRIP LITE



GP-GRIP PRO



GP-BACK-GRIP PAIR



GP-GRIP PRO SURVIVOR



(Survivor Pack has the GI Pen)

Please contact us if you have any installation questions or missing parts. HELLO@GPCA.COM



WWW.GPCA.COM

Visit us for more Jeep gear for your next adventure

Follow @GPCAofficial

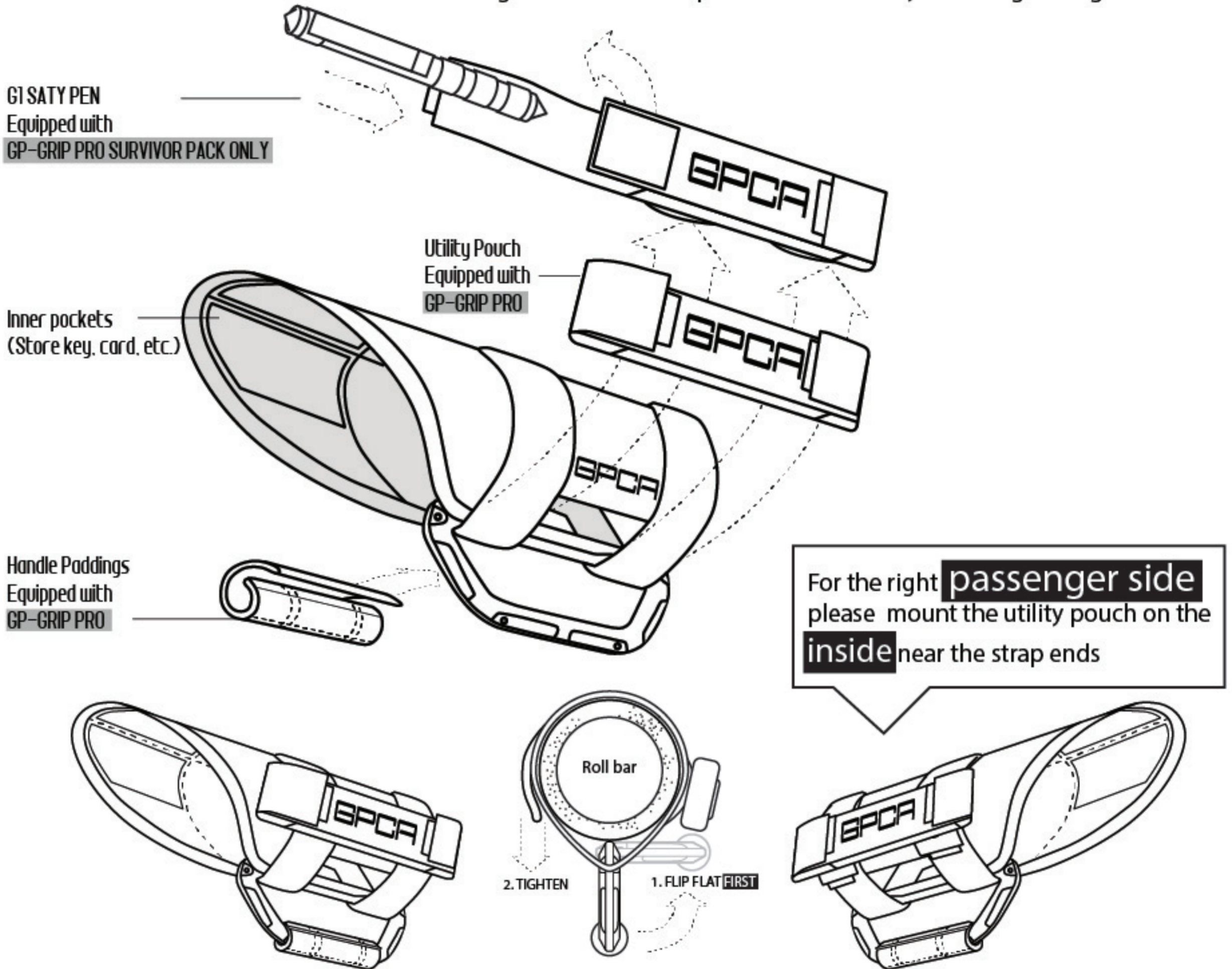


* Jeep, Wrangler, Rubicon, unlimited, JKU are registered trademarks of FCA (Fiat Chrysler Automobiles). GPCA Products (Touching design LLC), has no affiliation with FCA. Throughout this website and catalog the terms Jeep, Wrangler, MOPAR®, & Rubicon are used for identification purposes only. It is not implied that any part listed is a product of, or approved by Fiat Chrysler Automobiles. We just love Jeeps.

GP-Grip Instructions

INSTALLATION VIDEO: GPCA.COM/PAGES/FAQ

- Step 1** Place the GP-Grip arrow-end towards the back, center it on top of the roll bar.
- Step 2** Wrap the straps through the handle, and guide the straps through the back loops of the outer pouch (PRO only), and press the Velcro area on the top.
- Step 3** Now **flip the handle flat** and then pull to tighten the straps. After the adjustment, firmly press the VELCRO area
- NOTE** **Flip the handle flat and tighten the strap periodically** to tight-fit the folded grab handle. These handles are built with outdoor-grade materials. Wipe clean occasionally for a long-lasting use.



GP-Back-Grip Instructions

INSTALLATION VIDEO: GPCA.COM/PAGES/FAQ

- Step 1** Make sure the extended end under the top ring is between the headrest bar and the metal handle to avoid metal scratching
- Step 2** Plug the headrest bar through the holes

