



# KNB-48-2SG

## STAINLESS STEEL BACK BARS

All-stainless steel construction, Heavy-duty refrigeration system that delivers reliable and efficient cold storage with superior quality.



### KEY FEATURES

• **Strong & Durable Cabinet Finish**

Heavy duty stainless steel finished top.  
Exterior: SS430 , Interior: SS445NF,  
Door: Solid (urethane) + Pair glass

• **Insulated PE coated sturdy wire shelves**

• **High Density Polyurethane Insulation**

Foamed in place high density polyurethane insulation used throughout the cabinet

• **User Friendly Features**

Side mount compressor provides space-efficient front breathing system  
Automatic evaporation & defrost system  
Transparent glass door for clear product display  
Cabinet design to accommodate for all types of cans and bottles  
Sturdy and easy grip handles and Doors that open effortlessly  
Magnetic door gasket provides ease of removal for cleaning or replacement

• **Efficient and Economical Work Space for Tight Work place**

• **Enhanced Airflow Hold Product Temperature 32°F~41°F (0°C~5°C)**

• **Modern Shaped Glass Door**

Energy saving LED lights  
Transparent glass door for excellent product display

• **Available with 3",4" or 5" diameter casters (Optional)**



### INDUSTRY'S FIRST 40/80 WARRANTY

40 months parts and labor / 80 months on compressor (part only)



3560 NW 56th Street  
Fort Lauderdale, FL, United States  
Telephone: 786.600.4687 / Toll Free: 844.218.8477  
Fax: 786.661.4100

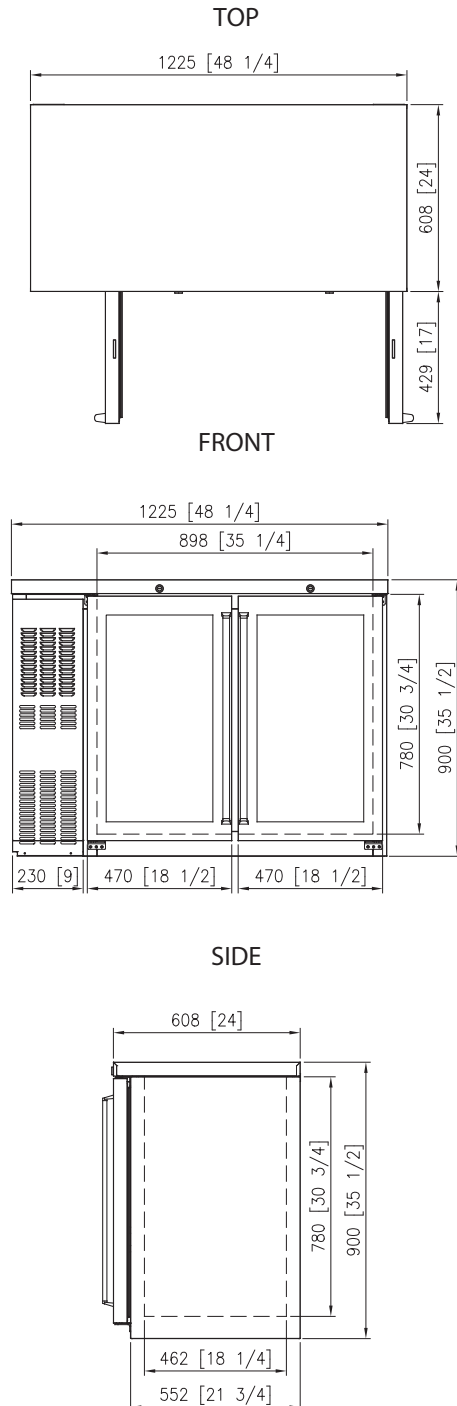
5659 Royalmount Ave.  
Montreal, QC, Canada H4P 2P9  
Telephone: 514.737.9701 / Toll Free: 888.275.4538  
Fax: 514.342.3854 / Toll Free: 877.453.8832  
sales@mvpgroupcorp.com / mvpgroupcorp.com



# KNB-48-2SG

## STAINLESS STEEL BACK BARS

### PRODUCT VIEWS



\* External dimensions do not include caster height - casters are optional

### TECHNICAL SPECIFICATIONS

Exterior Dimensions		Interior Dimensions	
<b>W:</b>	48 1/4" (1225 mm)	<b>W:</b>	35 1/4" (895 mm)
<b>D:</b>	23 7/8" (608 mm)	<b>D:</b>	18 1/4" (464 mm)
<b>H:</b>	35 3/8" (900 mm)	<b>H:</b>	30 3/4" (781 mm)
Interior Capacity		Can	Bottle
11.6 Cu Ft 328 L		714	336
Doors	Material	Shelves	
2 Swing Doors	Glass	4	
Exterior Material		Stainless Steel	
Interior Material		Stainless Steel	
Illumination		LED	

### REFRIGERATION PERFORMANCE

<b>Refrigerant</b>	R290
<b>Compressor Power</b>	3/8 HP
<b>Thermostat default setting</b>	32°F~41°F (0°C~5°C)

### ELECTRICAL

Power Supply	Amps
115V/60Hz	3.5 A
<b>Plug Type</b>	NEMA 5-15P

### LOGISTICS

Unit Weight	Shipping Dimensions	
198 lb (90 kg)	<b>W:</b>	52 1/4" (1327 mm)
<b>Shipping Weight</b>	<b>D:</b>	28 3/4" (730 mm)
212 lb (96 kg)	<b>H:</b>	41.0" (1041 mm)