

MODELS

KFM-SO-(40, 50, 60, 80, 100, 120)-S

KFM-SO-(40, 50, 60, 80, 100, 120)-R

**OPEN FRONT SEAFOOD CASE
DESIGNED FOR FRESH FISH**

CASE HOLDS 33°F TO 40°F • LOW VELOCITY FORCED AIR REFRIGERATION MAINTAIN HIGH HUMIDITY
TEMPERED FRONT AND SIDE GLASS • CASES CAN BE MULTIPLIED
INTEGRATED, NON-REMOVABLE HEAVY-DUTY ICE PAN • CASES REQUIRE FLOOR DRAINS*



Intertek



Intertek



AUTODESK[®]
REVIT[®]

SELF CONTAINED	Model	O.A. Length (inches)	Volume FT ³	Electrical 115 Volts				NEMA 115 V Plug	Weight lbs		Crate Size (inches)		
				Compressor		LIGHTS Fans	Total Amps		No Crate	With Crate	L"	W"	H"
				H.P	F.L.A								
	KFM-SO-40-S	40-3/8	6.07	3/8	8.4	0.65	9.05	5-15P	284	445	48	44	42
	KFM-SO-50-S	52-1/8	8.00	1/2	9.6	0.65	10.25	5-15P	322	505	59	44	42
	KFM-SO-60-S	60	9.29	1/2	9.6	0.75	10.35	5-15P	366	564	67	44	42
	KFM-SO-80-S	77-1/2	12.15	5/8	8.9	1.20	10.10	5-15P	452	714	85	44	42
	KFM-SO-100-S*	101-1/8	16.00	2x1/2	2x9.6	2x0.96	2x10.6	2x5-15P	567	844	109	44	42
	KFM-SO-120-S*	117	18.58	2x1/2	2x9.6	2x0.96	2x10.7	2x5-15P	681	1053	124	44	42

***Please note:**

KFM-SO-100-S, KFM-SO-120-S

KFM-SO-100-R, KFM-SO-120-R

Units require two power outlets and two drains. Units are multiplexed and joined together in the center – 100" and 120"

STANDARD FEATURES

- Coated evaporator coil
- Integrated, non-removable heavy-duty ice pan Stainless steel frame
- Stainless steel interior
- Stainless steel rear work bench
- Silver colored PVC coated steel front panel
- CFC free injected foam insulation
- Black steel kick plate
- Foamed polystyrene black end panels
- Temperature and defrost regulated by a digital controller
- Slide out condensing unit on self-contained units
- Digital thermometer
- Levelling feet

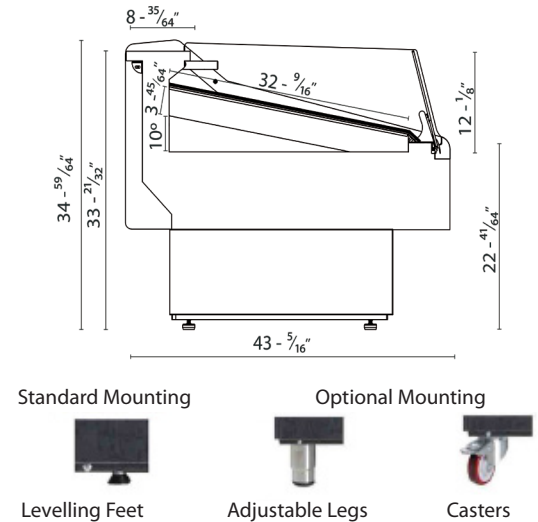
OPTIONAL FEATURES

- Stainless steel exterior
- Other colors available
- Joining Kit
- Partition
- Scale stand with receptacle
- Cutting board
- Knife Support
- Casters add 4-3/8" to height
- Stainless steel legs are adjustable from 5-1/8" to 7-5/8"

WARRANTY

One year parts and labor with an additional four years on the compressor (part only)

REMOTE	Model	O.A. Length (inches)	115 Volts Total Amps	B.T.U	Weight lbs	
					No Crate	With Crate
	KFM-SO-40-R	40-3/8	0.2	2548	229	390
	KFM-SO-50-R	52-1/8	0.2	3015	267	450
	KFM-SO-60-R	60	0.3	3159	311	509
	KFM-SO-80-R	77-1/2	0.3	4345	419	681
	KFM-SO-100-R*	101-1/8	0.4	5112	511	789
	KFM-SO-120-R*	117	0.5	5472	615	988



NOTE

These cases are engineered to operate in locations not exceeding 75°F and 55% R.H. These cases are designed to operate using R404a refrigerant. Alternate refrigerants available by special order. O.A. length includes (2) ends at 1-1/2" each. Ventilation grills at front and back cannot be blocked. B.T.U.'s are calculated at 14°F (evaporator) and 90°F (ambient). Remote cases are provided with an expansion valve and a liquid solenoid for pump down cycle. Remote cases must be hard wired – no plugs.



3560 NW 56th St
Fort Lauderdale, FL USA 33309
Tel: 786.600.4687 / Toll Free: 844.218.8477 / Fax: 786.661.4100



5659 Royalmount Ave.
Montreal, QC, Canada H4P 2P9
Tel: 514.737.9701 / Toll Free: 888.275.4538 / Fax: 514.342.3854
Toll free: 877.453.8832
sales@mvpgroupcorp.com / mvpgroupcorp.com



Hydra - Kool is a registered trademark of MVP Group Corp.
SPECIFICATIONS SUBJECT TO CHANGE WITHOUT NOTICE