

AC WIRELESS DOORBELL

Model No.: WCMP

Features:

1. Battery-Operated bell push button, powered by (1) 3V CR2032 Battery.
2. 32 sounds with 24 polyphonic.
3. LED indicator in the receiver.
4. Receiver with volume control (69-85dB).
5. Self-learning technology avoids interference.
6. Transmitter is with LED and is waterproof.
7. Receiver is powered by 120V/60Hz, with US plug.

Features of technology:

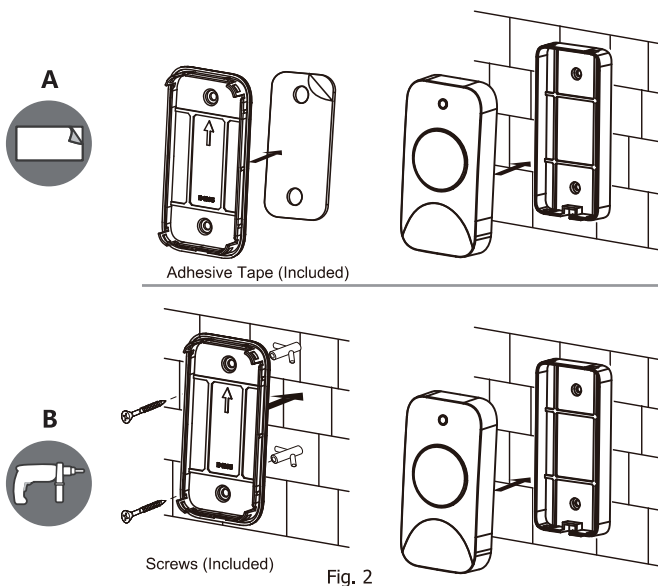
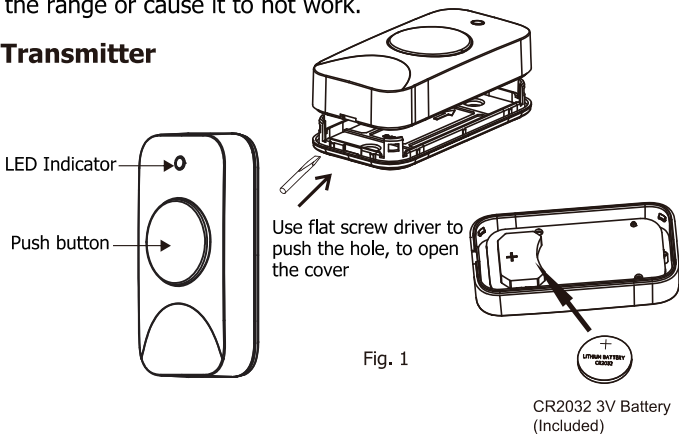
- 1) One transmitter can control up to eight AC receivers.
- 2) At most 4 transmitters can control one AC receiver.

Installation:

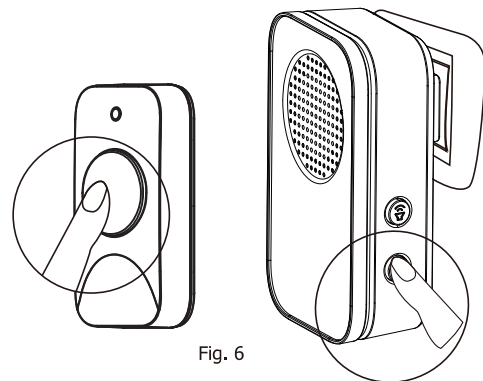
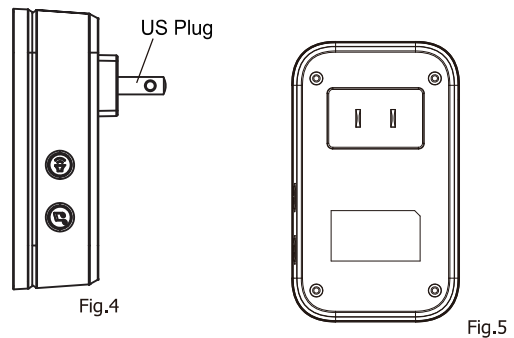
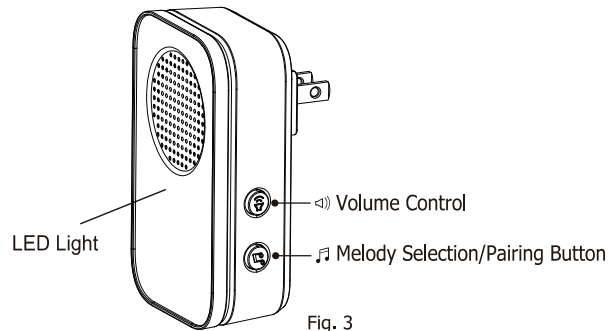
The transmitter can be mounted on a door frame (see figures 1 and 2).

The receiver needs be plugged into an electrical outlet for it to operate. Mounting the transmitter on metal will reduce the range or cause it to not work.

Transmitter



Receiver:



How to pair the transmitter and receiver:

The transmitter and receiver have been paired during the packaging. If your doorbell is not working correctly, You can follow the below 3 steps to reset the product (see figure 6). **Troubleshooting tips are on the next page.**

1. Clear the pairing codes inside the receiver. First, press/hold the "melody selection button". Plug in the receiver into the outlet, then continue to press and hold the button for about 8 seconds. You will see the receiver's LED flashing, then release the button. The codes are all removed from the internal memory.
2. Pair the transmitter and receiver again. Press/hold the "melody selection button" on the receiver for about 4 seconds, and release the button when you hear "Ding-Ding" sound. Then press the transmitter button. Now you will hear the receiver play "Ding" sound and you can wait for another "Ding-Ding" sound or press the "melody selection button" directly to exit the pairing mode.
3. Press the transmitter button and test if pairing is completed. If it is, then enjoy the use of our product.

Troubleshooting

A. Chime does not sound:

Check orientation of transmitter battery (see figure 1).

Check charge of transmitter battery. Replace if necessary.

Ensure that the transmitter and receiver are paired correctly.

B. Batteries seem OK, but the chime does not work when installed:

Do not mount transmitter on metal or near metal studs. This reduces the transmitter range. Use 1/4" to 1/2" (6 to 13mm) wood shims to move push button off metal surface.

Concrete floors may reduce range. Move receiver away from floor.

Try locating the receiver closer to the transmitter.

Questions? Please contact us at
cs@adamaxinc.com