

Features:

1. Battery-Operated bell push button, powered by (1) 3V CR2032 Battery.
2. 32 sounds with 24 polyphonic.
3. LED indicator in the receiver.
4. Receiver with volume control.
5. Self-learning technology avoids interference.
6. Transmitter is with LED and is waterproof.
7. Receiver is powered by (3) AA 1.5V Batteries (Not included).

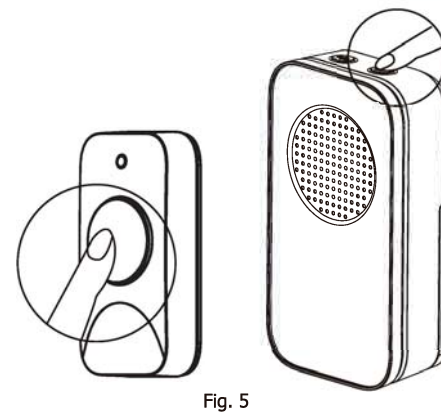
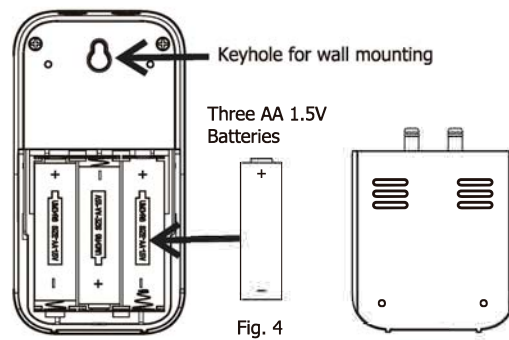
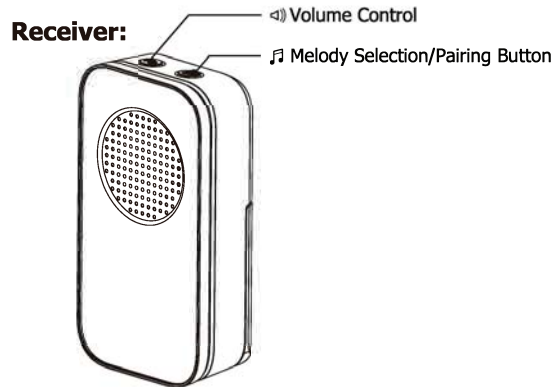
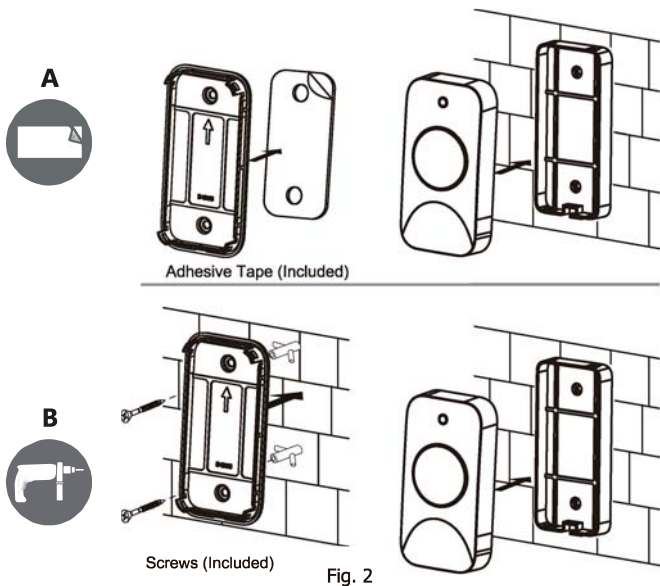
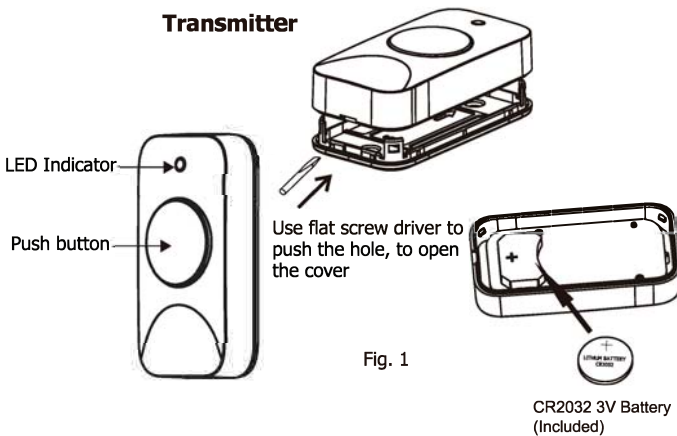
Features of technology:

- 1) One transmitter can control up to eight DC receivers.
- 2) At most, 4 transmitters can control one DC receiver.

Installation:

The transmitter can be mounted on a door frame (see figures 1 and 2). The receiver can be put on a table or mounted on a wall (see figure 4). Mounting the transmitter on metal will reduce the range or cause it to not work.

Note: Screws and anchors are included for the transmitter, but not the receiver.



How to pair the transmitter and receiver:

The transmitter and receiver have been paired during the packaging. If your doorbell is not working correctly, you can follow the 3 steps below to reset the product (see figure 5).

Troubleshooting tips are on the next page.

1. Clear the pairing codes inside the receiver. First, press and hold the "melody selection button" (see figure 3) and install the final battery into the battery compartment. Then release the button when you hear "Ding-Dong" sound. Now the codes are all removed from the internal memory.
2. Pair the transmitter and receiver again. Press and hold the "melody selection button" on the receiver for about 4 seconds, and release the button when you hear "Ding-Ding" sound. Then press the transmitter button (see figure 5). Now you will hear the receiver play "Ding" sound and you can wait for another "Ding-Ding" sound or press the "melody selection button" directly to exit the pairing mode.
3. Press the transmitter button and test if pairing is completed.

Troubleshooting

A. Chime does not sound:

Check orientation of the transmitter battery and batteries for the receiver (see figures 1 and 4).

Check charge of transmitter battery and batteries for the receiver. Replace if necessary.

Ensure that the transmitter and receiver are paired correctly.

B. Batteries seem OK, but the chime does not work when installed:

Do not mount transmitter on metal or near metal studs. This reduces the transmitter range. Use 1/4" to 1/2" (6 to 13mm) wood shims to move push button off metal surface.

Concrete floors may reduce range. Move receiver away from floor.

Try locating the receiver closer to the transmitter.

Questions? Please contact us at
cs@adamaxinc.com