

INSTRUCTION MANUAL

CALIFORNIA PROPOSITION 65 WARNING: This product can expose you to chemicals including Lead which is known to the State of California to cause cancer and birth defects or other reproductive harm. For more information go to www.P65warnings.ca.gov.

IMPORTANT: READ ALL INSTRUCTIONS BEFORE REMOVING/INSTALLING THE DOORBELL BUTTON. FOLLOW ALL NATIONAL AND LOCAL ELECTRICAL CODES. CONTACT A QUALIFIED ELECTRICIAN IF THERE ARE ANY QUESTIONS AS TO THE SUITABILITY OF THE SYSTEM.

Recess mount for wood

***If this is a new install, go the section “INSTALLING THE NEW DOORBELL BUTTON”**

REMOVING AN EXISTING DOORBELL BUTTON

Step 1: WARNING: Turn the power off at the fuse or circuit breaker before removing the doorbell button.

Step 2: Remove the screws from the existing doorbell. If the doorbell is caulked, use a utility knife to cut through the caulk before removing the button.

If the button doesn't have screws (or screws that are not visible), then it may be like one that uses a set screw and mounting bracket or a button that has a retaining bracket. If that is the case, remove the set screw and mounting bracket or for a button with a retaining bracket, place a flat head screwdriver underneath the button housing and gently pry it loose and remove the button.

Step 3: Loosen the two screws holding the doorbell wires to the button on the back and disconnect the wires.

It doesn't matter which wire goes to which screw terminal.

***Installing the new doorbell button instructions are on the next page.**

INSTALLING THE NEW DOORBELL BUTTON

Step 1: WARNING: Turn the power off at the fuse or circuit breaker before installing the doorbell button.

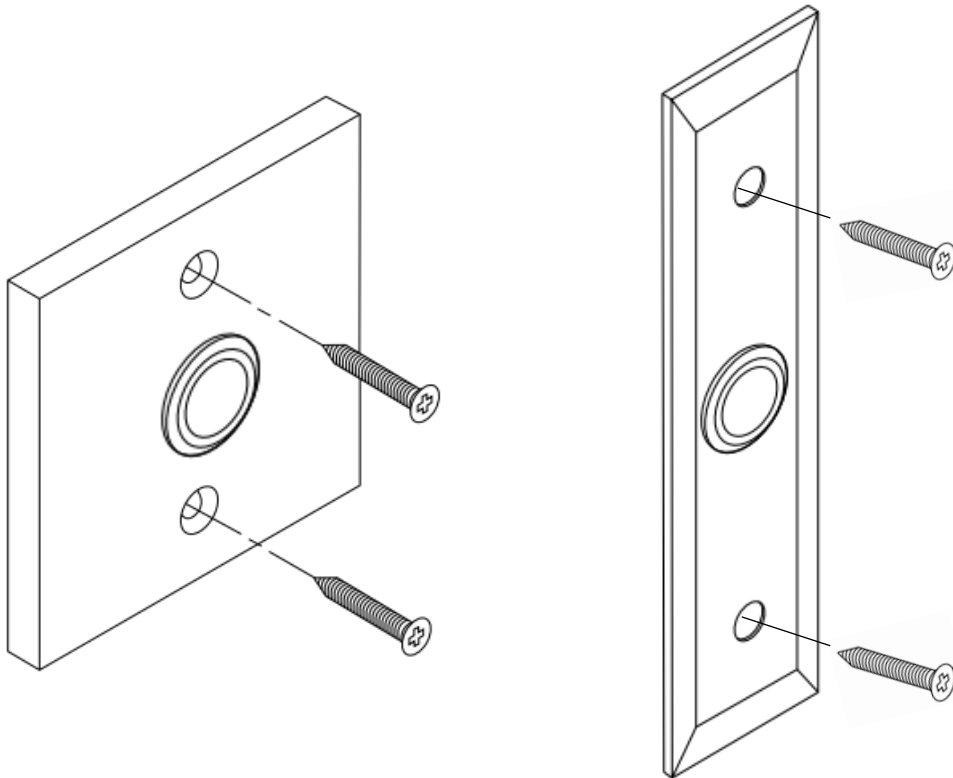
Step 2: If necessary, drill a 3/4" diameter hole approximately 1/2 inches deep where the button piece (where the wires will be connected to) will be installed.

Step 3: Place the button assembly where the mounting screw holes will be made. This will be used as a template. Mark where the screw holes will go with a pencil.

Step 4: Drill pilot holes using a 3/32 or 7/64 drill bit.

Step 5: If necessary, use needle-nose pliers to bend a J-loop in the ends of the bare wires. Slip one wire loop around a loosened screw on the back of the new doorbell button piece and tighten the screw to hold the wire in place. Do the same for the second wire and check that both are solidly attached. It doesn't matter which wire goes to which screw terminal.

Step 6: Secure the button to the wall or door frame using the two included screws with a Phillips screwdriver. If using a drill to secure the button, do not use too much force as this may cause the screw to break.



Contact us at cs@adamaxinc.com
or via our website at newhousehardware.com with any questions.