

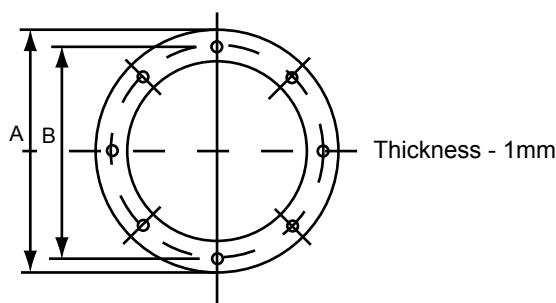


# Bell Housing Gaskets

## To Fit Metric Frame Electric Motors

### Bell Housing Gaskets

Stock No.	Description	Motor Frame	A	D	List Price
GL140	Bell Housing Gasket	D63	140	115	
GL160	Bell Housing Gasket	D71	160	130	
GL200	Bell Housing Gasket	D80/90	200	165	
GL250	Bell Housing Gasket	D100/112	250	215	
GL300	Bell Housing Gasket	D132	300	265	
GL350	Bell Housing Gasket	D160/180	350	300	
GL400	Bell Housing Gasket	D200	400	350	



### Pump Mounting Gaskets

Stock No.	Description	Suits Pump	A	B	List Price
GP05	Pump Mounting Gasket	Standard DIN Group 05	82	50	
GP1P	Pump Mounting Gasket	Standard DIN Group 1	90	69	
GP2	Pump Mounting Gasket	Standard DIN Group 2	118	86	
GPZF	Pump Mounting Gasket	Bosch ZF Series	121	91	
GP3	Pump Mounting Gasket	Standard DIN Group 3	170	120	
GP3.5	Pump Mounting Gasket	Standard DIN Group 3.5	180	158	
GP4	Pump Mounting Gasket	Standard DIN Group 4	230	175	

