

Specifications

Decibel Level: 79dB

Power: 1900W

Filter: HEPA, Double filtered air cleaning

Drying Time: 10-12 Seconds

Air Speed: 555 km/h

Weight: 3.5kg

Water Protection Rating: IPX4

Voltage: AC220-240V

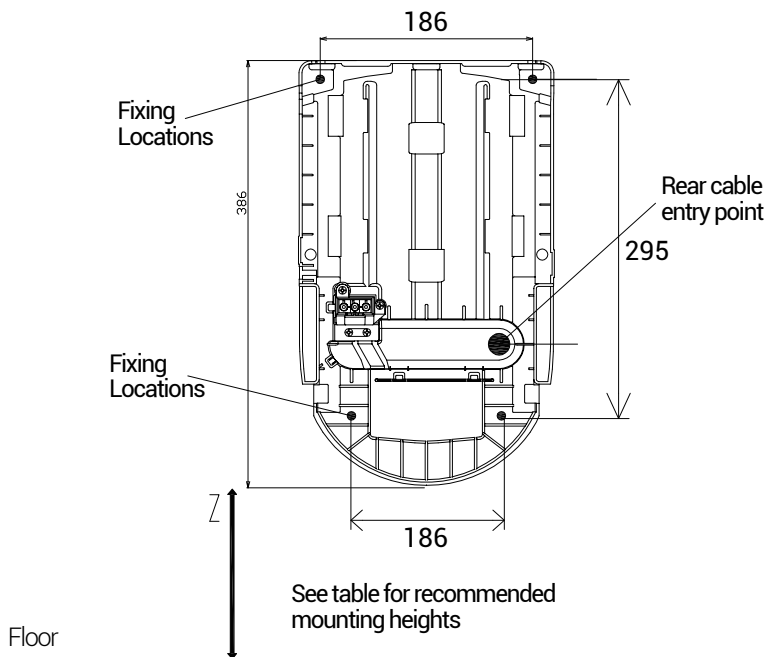
Materials: 304 Stainless Steel, PVD Case

Recommended Mounting Heights (Bottom of Unit Z)

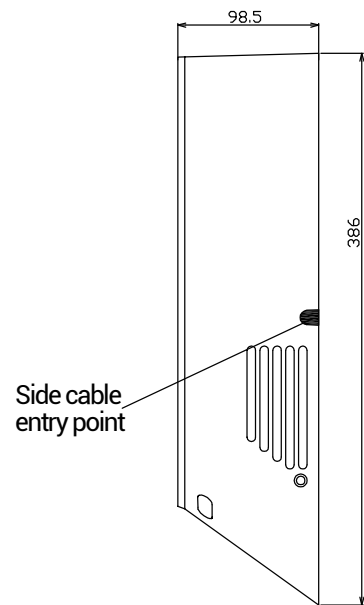
Men's washrooms	1170 mm
Women's washrooms	1120 mm
Children's washrooms ages 4-7	810 mm
Children's washrooms ages 7-10	910 mm
Children's washrooms, ages 10-13	1020 mm
Children's washrooms, ages 13-17	1120 mm
Disabled Mounting Height	940mm

- ⊕ Slimline, quiet and easy to install
- ⊕ Rapid speed motor 65,000 RPM
- ⊕ 7 Year Warranty

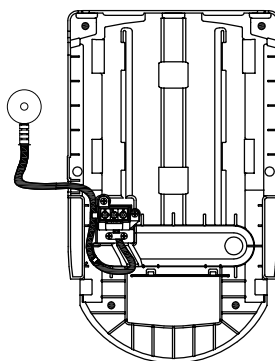
REAR ELEVATION



SIDE ELEVATION



Open Power Connection



Hard Wired Connection

