

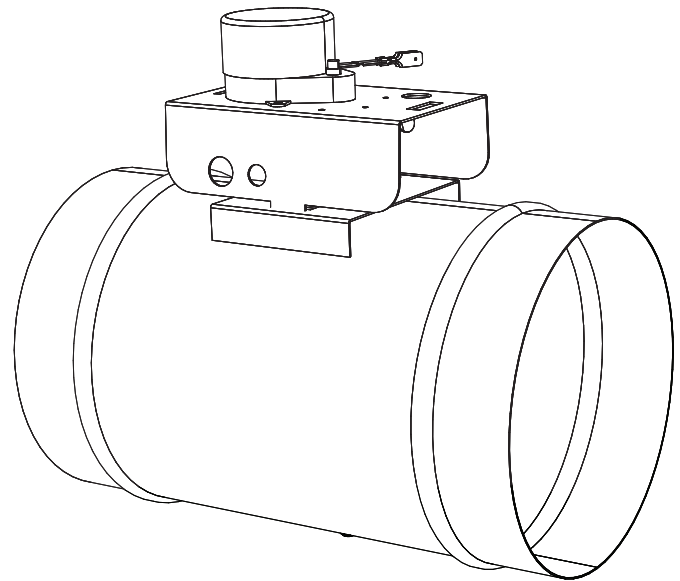
## Motorized Damper Accessory Kit for Daikin *One* Powered Ventilator

### Description

The Daikin Motorized Damper accessory kit is designed to be used with the Daikin *One* Powered Ventilator, model DQ-P-16-100. When installed correctly, the Motorized Damper will open when the ventilator is operating and will close when the ventilator is turned off. This ensures that air is only brought into the house when the outdoor conditions are within the temperature and humidity limits programmed into the ventilator's controller.

#### ■ Standard Features

- Mounts inline with Daikin *One* Powered Ventilator
- Rated voltage: 24 VAC, 60 Hz
- Rated power: 6 W
- 24 VAC power supply / transformer (included with kit) plugs into the internal receptacle on the Daikin *One* Powered Ventilator; lead wires: 22 AWG, 12 inches (30.5 cm).
- Damper housing: Galvanized steel construction
- Single blade damper. Internal gasket to tightly close off ducting, to help minimize air leakage.
- Transformer and damper motor are UL recognized components.



\*Refer to installation and operation manual (IO-DPVMD) for more information.

\* Complete warranty details available from your local dealer/contractor or at [www.daikincomfort.com](http://www.daikincomfort.com).

## Motorized Damper Kit contents:

- 1 - Motorized damper
- 1 - 24V transformer
- 1 - Electrical enclosure with receptacle
- 1 - Wire harness
- 1 - Plastic bushing
- 2 - Screws
- 1 - Installation and Operation Manual

## Single Pack Shipping Info

- Shipping carton dimensions: 9½" H x 6½" W x 11" D (24.1 cm H x 16.5 cm W x 27.9 cm D)
- Shipping weight: 5.5 lbs. (2.49 kg)

## Dimensions:

