

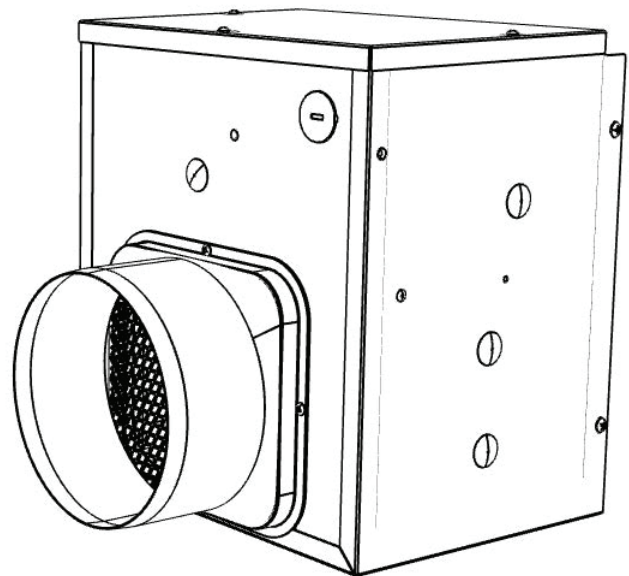
Heater Accessory for Daikin *One* Powered Ventilator

Description

The Daikin Heater accessory is an optional device designed for climates where the outdoor air entering the Daikin *One* Powered Ventilator can fall below 54°F (12°C). When installed correctly, the unit heats the air leaving the ventilator before it enters the living space of the home.

■ Standard Features

- One-piece polymeric blower wheel; Dimensions: 2 $\frac{3}{8}$ " x 4 $\frac{1}{2}$ " (6.7 cm x 11.4 cm) with 48 fins.
- 2 pole motor, permanently lubricated and thermally protected.
- 26-gauge housing with durable, white epoxy finish; Internally lined with closed cell thermal insulation.
- Ceramic heating element bonded to large heat transfer surface allows heating of intake air at temperatures below 54°F (12°C). 2-stage, self-regulating design; 900 W power.
- 6" (15.2 cm) round, zinc-plated metal duct collar with integrated wire mesh insect screen (the mesh screen is taken/used from the Daikin *One* Powered Ventilator).
- Connects to existing wiring of Daikin *One* Powered Ventilator via a quick connect Molex connection.
- 120 VAC, 60 Hz, 9.0 A (includes Daikin *One* Powered Ventilator).



*Refer to installation and operation manual (IO-DPVH) for more information.

* Complete warranty details available from your local dealer/contractor or at www.daikincomfort.com.

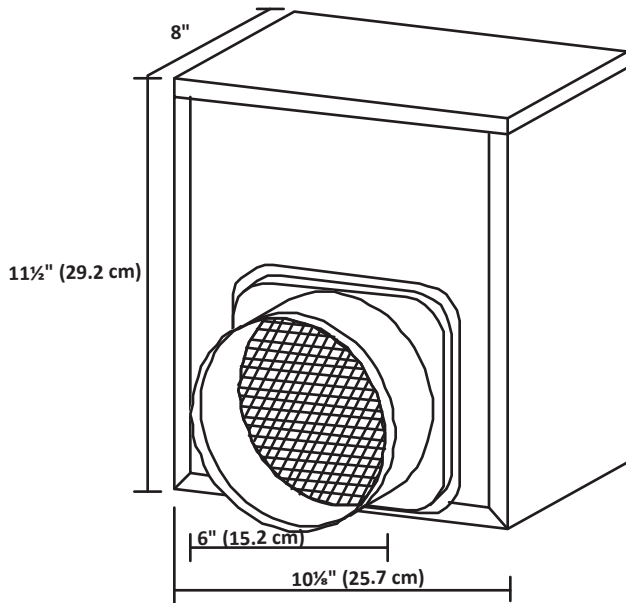


Table 1 - Airflow of Daikin *One* Power Ventilator with Heater Accessory installed

Ventilator Dial Setting	CFM with Heater Accessory
40	30
50	40
60	48
70	56
80	65
90	75
100	84

Heater Accessory Dimensions

- Dimensions: 11½" H x 8" D x 10⅝" W (29.2 cm H x 20.3 cm D x 25.7 cm W) total of 22⅞" (58.1 cm) W

Single Pack Shipping Info

- Shipping carton dimensions: 14" W x 14½" H x 10¼" D (35.6 cm W x 36.8 cm H x 26.0 cm D)
- Shipping weight: 8.5 lbs (3.85 kg)