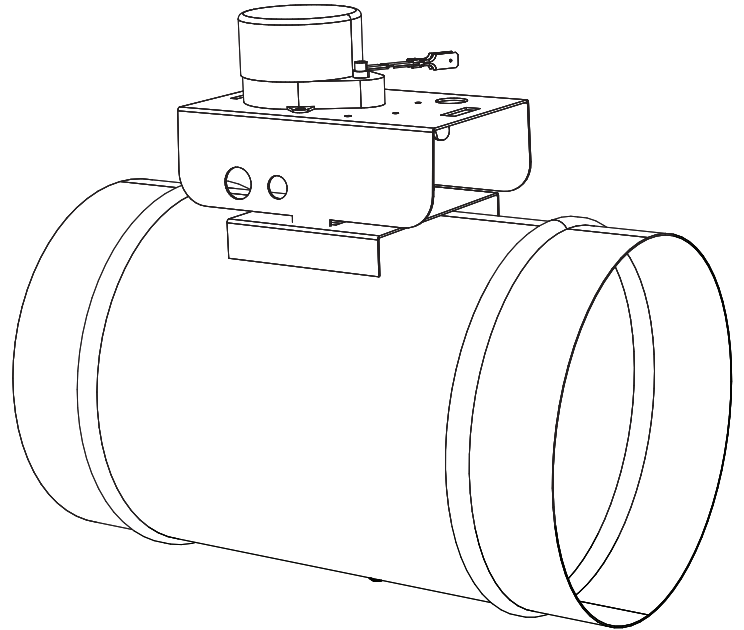


MOTORIZED DAMPER ACCESSORY FOR  
Daikin *One* Powered Ventilator  
**INSTALLATION &  
OPERATION MANUAL**



**WARNING**

Only personnel that have been trained to install, adjust, service or repair (hereinafter, “service”) the equipment specified in this manual should service the equipment. Daikin will not be responsible for any injury or property damage arising from improper service or service procedures. If you service this unit, you assume responsibility for any injury or property damage which may result. In addition, in jurisdictions that require one or more licenses to service the equipment specified in this manual, only licensed personnel should service the equipment. Improper installation, adjustment, servicing or repair of the equipment specified in this manual, or attempting to install, adjust, service or repair the equipment specified in this manual without proper training may result in product damage, property damage, personal injury or death.



\* Complete warranty details available from your local dealer/contractor or at [www.daikincomfort.com](http://www.daikincomfort.com).

**MODEL**

DQ-P-MDV

## Description

The Motorized Damper kit is designed to be used with the Daikin *One* Powered Ventilator, model DQ-P-16-100. When installed correctly, the Motorized Damper will open when the ventilator is operating and will close when the ventilator is turned off. This ensures that air is only brought into the house when the outdoor conditions are within the temperature and humidity limits programmed into the ventilator's controller.

## Proprietary Notice

This document and the information disclosed herein are proprietary data of Daikin North America LLC. Neither this document nor the information contained herein shall be reproduced, used, or disclosed to others without the written authorization of Daikin North America LLC, except to the extent required for installation or maintenance of recipient's equipment.

## Copyright Notice

Copyright 2020, Daikin North America LLC All rights reserved.

## Liability Notice

Daikin North America LLC does not accept any liability for installations of ventilation equipment installed by unqualified personnel or the use of parts/components/filters/equipment that are not authorized or approved by Daikin.

## Preparing the Motorized Damper

1. Unpack the damper from its carton and confirm that all of the following pieces are present:
  - 1 - Motorized damper
  - 1 - 24V transformer
  - 1 - Electrical enclosure with receptacle
  - 1 - Wire harness
  - 1 - Plastic bushing
  - 2 - Screws
  - 1 - Installation and Operation Manual

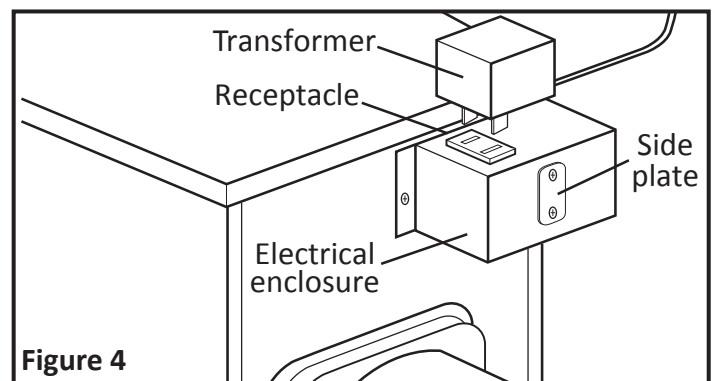
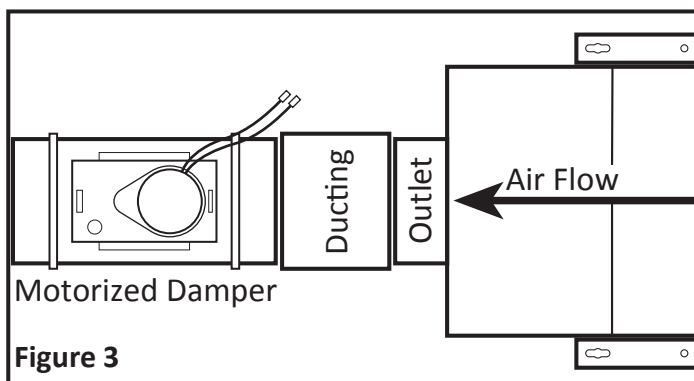
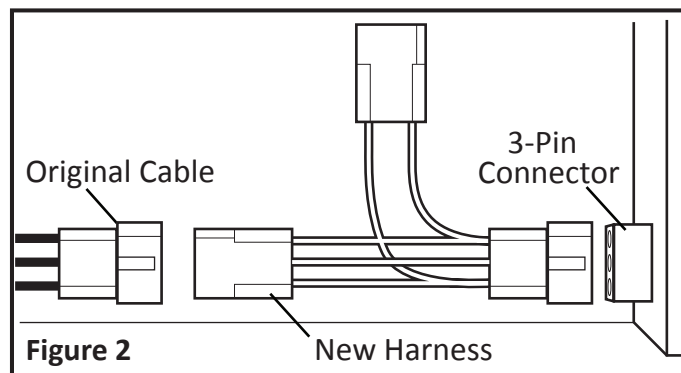
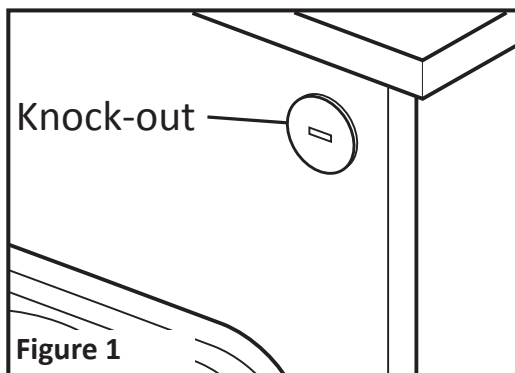
## Installation

**Note:** Follow all instructions included with the DQ-P-MDV motorized damper before starting to install it.

**CAUTION!** Make sure power is switched off at service panel before starting installation.

**CAUTION!** All electrical connections must be made in accordance with local codes, ordinances, or national electrical code. If you are unfamiliar with methods of installing electrical wiring, secure the services of a qualified electrician.

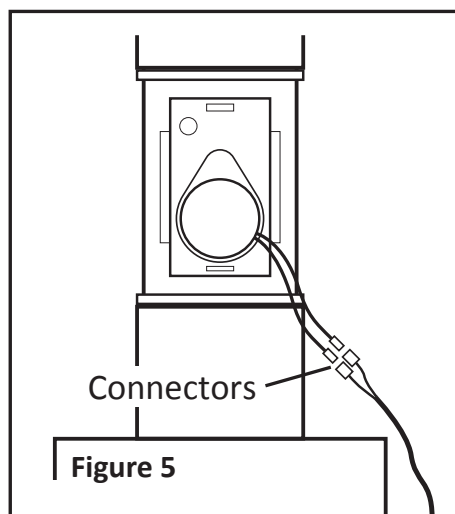
1. Locate the knock-out on the front side of the DQ-P-16-100 Powered Ventilator and remove it using a straight blade screw driver (Figure 1).
2. Install the bushing supplied with the Motorized Damper into the knock-out hole to protect the wires passing through the hole.
3. Open the Control Compartment Cover of the ventilator. There is a 3-pin Molex cable attached to the 3-pin connector located near the bottom of the control compartment. Separate this cable and connector and insert the new wire harness supplied with the



**Important:** Read and save these instructions. This guide to be left with equipment owner.

Motorized Damper between the 3-pin connector and the original 3-pin cable. (Figure 2).

4. Attach the DQ-P-MDV Motorized Damper to the outlet (discharge) side of the ventilator using a section of 6" rigid duct and seal with appropriately rated tape. Use screws or suitable clamps to secure in place. If any additional ducting will be attached to the outlet side of the motorized damper (as with an inline installation) repeat the same procedure as above (Figure 3).
5. If the ventilator is installed in a configuration where the electrical receptacle will be facing downward, you will need to change where the electrical enclosure attaches to the body of the ventilator. Otherwise, the transformer may not stay in place when plugged into the receptacle. To do so, remove the screws holding the side plate in place (Figure 4). From inside the electrical enclosure, remove the receptacle by pinching in its securing tabs and pushing it through the opening in the enclosure. Install the receptacle into the opening where the side plate was removed by pushing the receptacle down into the opening until it firmly snaps into place. Install the side plate removed in Step 5 into the new opening (Figure 4).
6. Plug the 24VAC transformer into the receptacle on the electrical enclosure (Figure 4).
7. Run the lead wires from the transformer to the Motorized Damper. Make the electrical connections to the Motorized Damper by connecting the wires from the damper to the pre-installed ends on the transformer (Figure 5).



8. Feed the 2-pin connector from the wire harness through the bushing that was installed in Step 2 and connect to the 2-pin receptacle inside the electrical enclosure (Figure 6).
9. Re-install the Control Compartment Cover on the ventilator. Carefully tuck all the wires into the electrical receptacle enclosure and install onto the ventilator cabinet using the two supplied screws (Figure 7).
10. Restore power and test the operation of the unit.



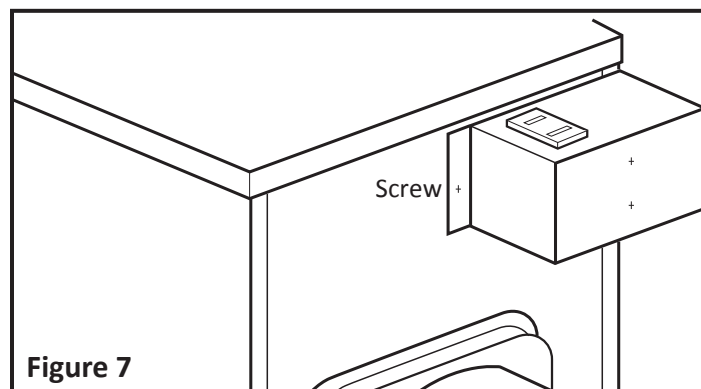
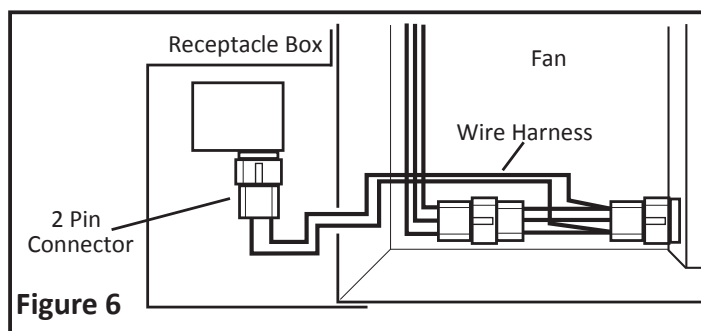
### CAUTION!

Make sure the transformer is plugged into the receptacle so that it is not hanging directly downward. If it is, you will need to change the configuration of the electrical enclosure (see step 5, above).

### Operation

1. The receptacle will be energized anytime the ventilator is running and the Motorized Damper will automatically open. When the unit stops running, the damper will close.

**Note:** Failure to plug-in the transformer will prevent the ventilator from bringing outdoor air into the dwelling.



Daikin North America LLC reserves the right to discontinue or change at any time, specifications or designs without notice or without incurring obligations. Performance of the Ventilator and/or Accessories will depend on house plan design, duct design and heating/cooling equipment.

