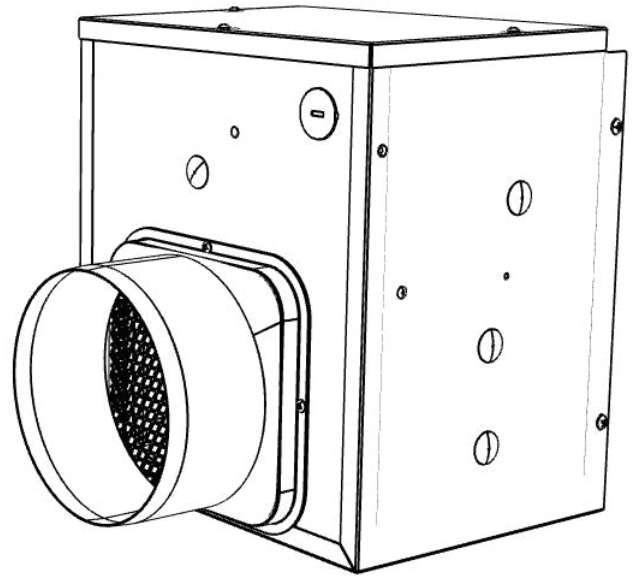




# HEATER ACCESSORY FOR Daikin *One* Powered Ventilator **INSTALLATION & OPERATION MANUAL**



## WARNING

Only personnel that have been trained to install, adjust, service or repair (hereinafter, “service”) the equipment specified in this manual should service the equipment. Daikin will not be responsible for any injury or property damage arising from improper service or service procedures. If you service this unit, you assume responsibility for any injury or property damage which may result. In addition, in jurisdictions that require one or more licenses to service the equipment specified in this manual, only licensed personnel should service the equipment. Improper installation, adjustment, servicing or repair of the equipment specified in this manual, or attempting to install, adjust, service or repair the equipment specified in this manual without proper training may result in product damage, property damage, personal injury or death.

## MODEL

DQ-P-70-AH-H



\* Complete warranty details available from your local dealer/contractor or at [www.daikincomfort.com](http://www.daikincomfort.com).

## Description

The Daikin *One* Powered Ventilator heater accessory unit is an optional device designed for climates where the outdoor air entering the ventilator can fall below 54°F (12°C). When installed correctly, the unit heats the air leaving the ventilator before it enters the living space of the home.

## Proprietary Notice

This document and the information disclosed herein are proprietary data of Daikin North America LLC. Neither this document nor the information contained herein shall be reproduced, used, or disclosed to others without the written authorization of Daikin North America LLC, except to the extent required for installation or maintenance of recipient's equipment.

## Copyright Notice

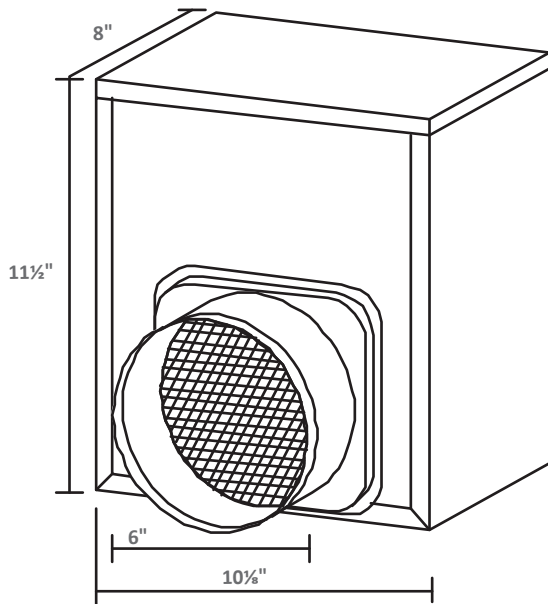
Copyright 2020, Daikin North America LLC All rights reserved.

## Liability Notice

Daikin North America LLC does not accept any liability for installations of ventilation equipment installed by unqualified personnel or the use of parts/components/filters/equipment that are not authorized or approved by Daikin.

## Electrical Rating DQ-P-70-AH-H

120V, 60Hz, 9.0 A (includes ventilator)



## Read and save these instructions



### WARNING!

This symbol indicates important instructions. Failure to heed them can result in serious injury or death.



### CAUTION!

This symbol indicates important instructions. Failure to heed them can result in injury or material property damage.

**Table 1 - Airflow of Daikin *One* Power Ventilator with Heater Accessory installed**

Ventilator Dial Setting	CFM with Heater Accessory
40	30
50	40
60	48
70	56
80	65
90	75
100	84

## Installation



### WARNING!

Before beginning any installation or modification, be certain that the main line electrical disconnect switch is in the OFF position. Unexpected start-up of system blower may cause serious injury. Tag disconnect switch with suitable warning labels.



### CAUTION!

Only a heating/air conditioning installer or qualified service person should install your ventilator, unless you are completely familiar with the necessary tools, equipment and potential hazards involved. If you plan to install this ventilator yourself, please be aware that the improper use of any tool can be dangerous. Daikin will not assume any responsibility for failures due to incorrect installation procedures.

- When working on the ventilator and heater, observe precautions in the Installation and Operation Manual, labels attached to the furnace or air handler, and other safety precautions that may apply.
- Follow all safety codes. Wear safety glasses and work gloves.



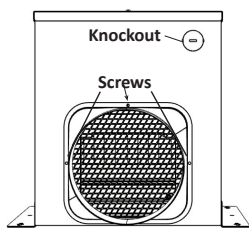
**Important: Read and save these instructions. This guide to be left with equipment owner.**



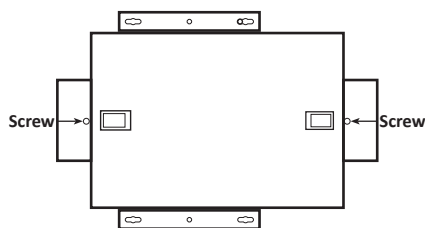
**WARNING!**

To reduce the risk of fire, electric shock and injury to people observe the following:

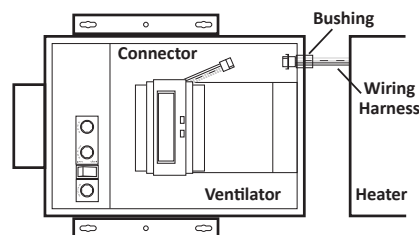
1. Use this unit only in the manner intended by the manufacturer. If you have questions, contact Daikin.
2. Before servicing or cleaning the unit, switch power off at the service panel and lock the service disconnecting means to prevent power from being switched on accidentally. When the service disconnecting means cannot be locked, securely fasten a prominent warning device, such as a tag, to the service panel.
3. Installation work and electrical wiring must be done by qualified person(s) in accordance with all applicable codes and standards, including fire-related construction.
4. When cutting or drilling into a wall or ceiling, do not damage electrical wiring or other hidden utilities.
5. Read all instructions before installing or using auxiliary heater unit.
6. For residential installations only.



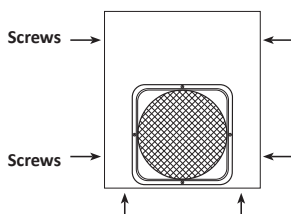
**Figure 1 - Ventilator front view**



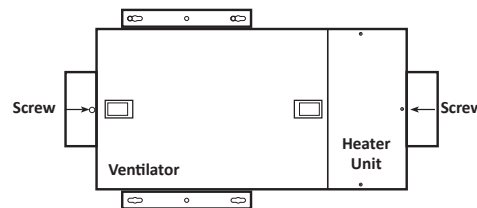
**Figure 2 - Ventilator top view**



**Figure 3 - Connecting Ventilator to Heater - top view**



**Figure 4 - Location of screws connecting Ventilator and Heater - end view**



**Figure 5 - Ventilator and Heater top view**

**General Installation Steps**

**Preparing the Heater**

1. Unpack heater from the carton and confirm that all pieces are present. In addition to the heater, you should have:
  - 1 - Plastic Bushing
  - 6 - Screws
  - 1 - Installation and Operation Manual
2. Remove the four screws holding the outlet duct collar and gasket in place on the ventilator (Figure 1). Set aside these screws, the duct collar and gasket.
3. Install the duct collar and gasket that were removed in Step 1 onto the heater's end panel using the screws that were set aside.
4. Remove the two screws holding the Control Compartment cover of the ventilator in place (Figure 2). Set aside these screws.
5. Remove the electrical knockout on the front of the ventilator (Figure 1) using a straight-blade screwdriver.
6. Reach inside the ventilator cabinet and remove the foam insert covering the knockout area and discard.
7. Feed the heater's wiring harness through the plastic bushing provided and then through the knockout hole and finally connect it to the 3-pin connector from the LCD controller inside the ventilator cabinet (Figure 3)
8. Install the plastic bushing into the knockout hole to protect the wires passing through the hole.
9. Connect the heater to the ventilator using the 6 screws provided. Two screws are needed on each of the two sides and the bottom of the ventilator cabinet (Figure 4).
10. Reinstall the ventilator's Control Compartment cover using the two screws removed in Step 4 (Figure 5).

Daikin North America LLC reserves the right to discontinue or change at any time, specifications or designs without notice or without incurring obligations. Performance of the Ventilator and/or Accessories will depend on house plan design, duct design and heating/cooling equipment.

### Ducting

**Note:** If additional ducting will be connected to the unit, 6" diameter or larger rigid duct is recommended for best performance.

### Operation

This heater is designed to be used only with the Daikin *One* Powered Ventilator model DQ-P-16-100 and for climates where outdoor air entering the ventilator falls below 54°F (12°C). Once this heater is installed and power is supplied to it, the ventilator controller's LCD screen will display a thermometer icon.

- When the temperature of the intake air is between 39°F and 54°F (4 and 12°C), the heater will operate on Stage 1 heating and the number **1** will be displayed on the ventilator controller's LCD screen;
- When the temperature is between 33°F and 39°F (1 and 4°C), the heater will operate on Stage 2 heating and the numbers **1 2** will be displayed on the screen.

**Note:** This heater is equipped with an energy-saving fan off time delay. When the heater operation is turned off by the ventilator controller, the blower will continue to run for an additional 30 seconds after the heating element turns off, delivering any residual heat to the occupied space.

### Maintenance



#### **WARNING!**

Before beginning any installation or modification, be certain that the main line electrical disconnect switch is in the OFF position. Unexpected start-up of system blower may cause serious injury. Tag disconnect switch with suitable warning labels.

Clean the heater and ventilator periodically by wiping all parts with a dry cloth or gently vacuum the fan. **NEVER IMMERSE ELECTRICAL PARTS IN WATER.**