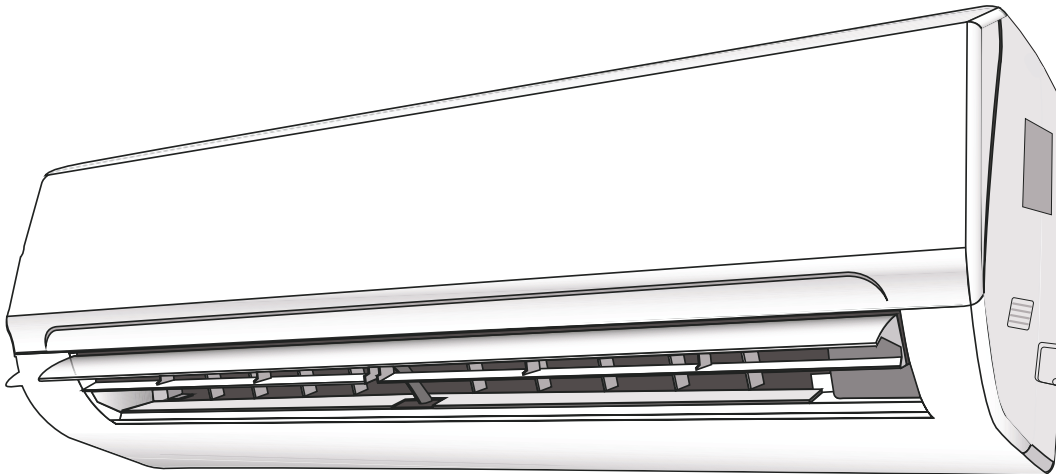


DUCTLESS MINI SPLIT SYSTEM AIR CONDITIONER / HEAT PUMP

PIONEER®

WYT-22 Inverter Series For 9,000-24,000 BTU/hr Systems



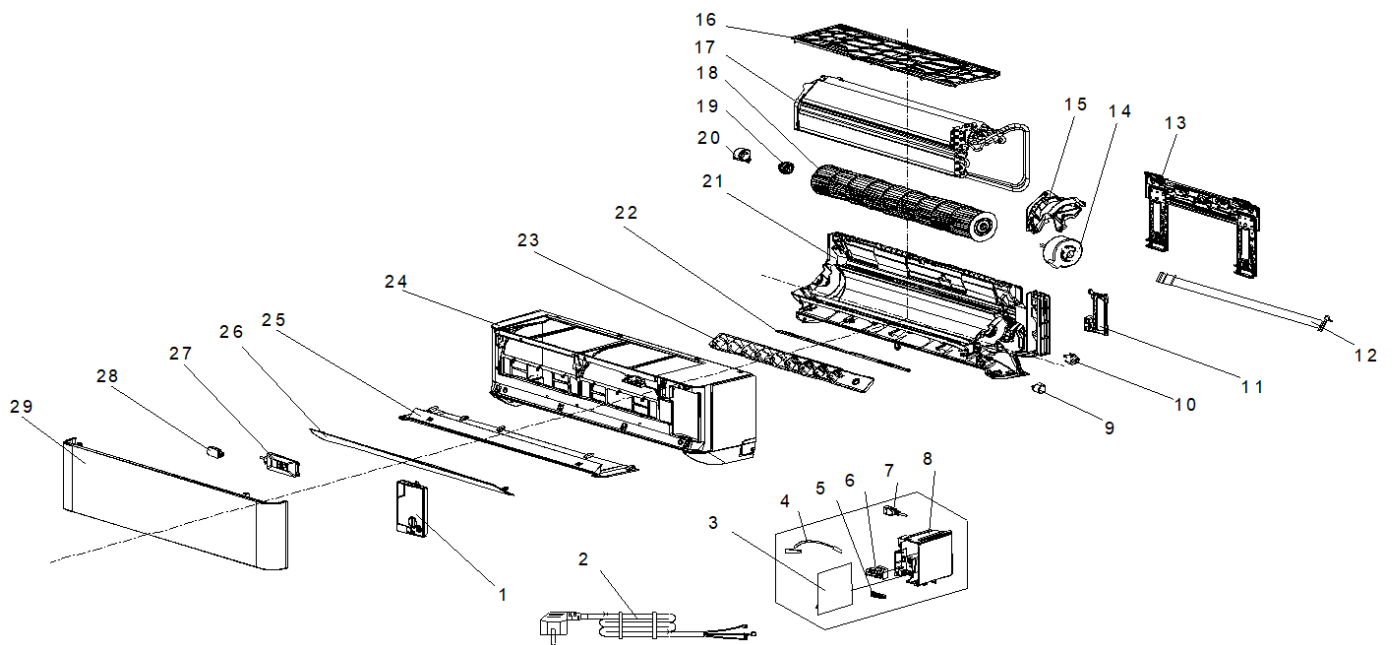
Parts Diagrams

IMPORTANT NOTICE:

Please read this manual carefully before installing or operating your new air conditioning system. Be sure to save this manual for future reference.

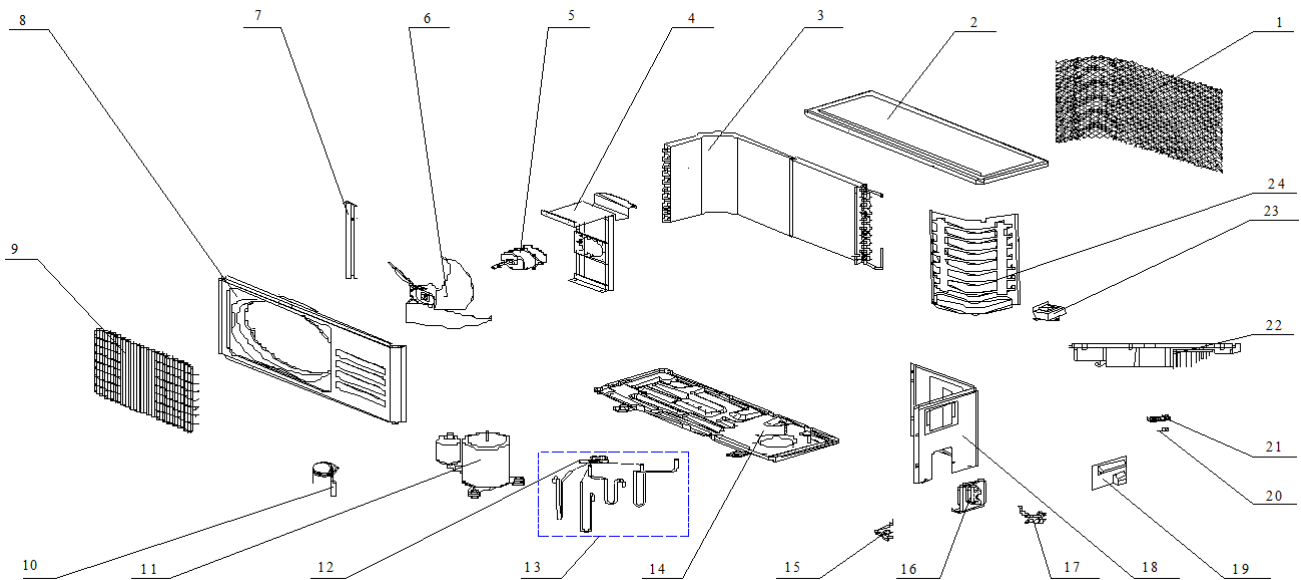


WT009ALFI22HLD (Indoor Unit)



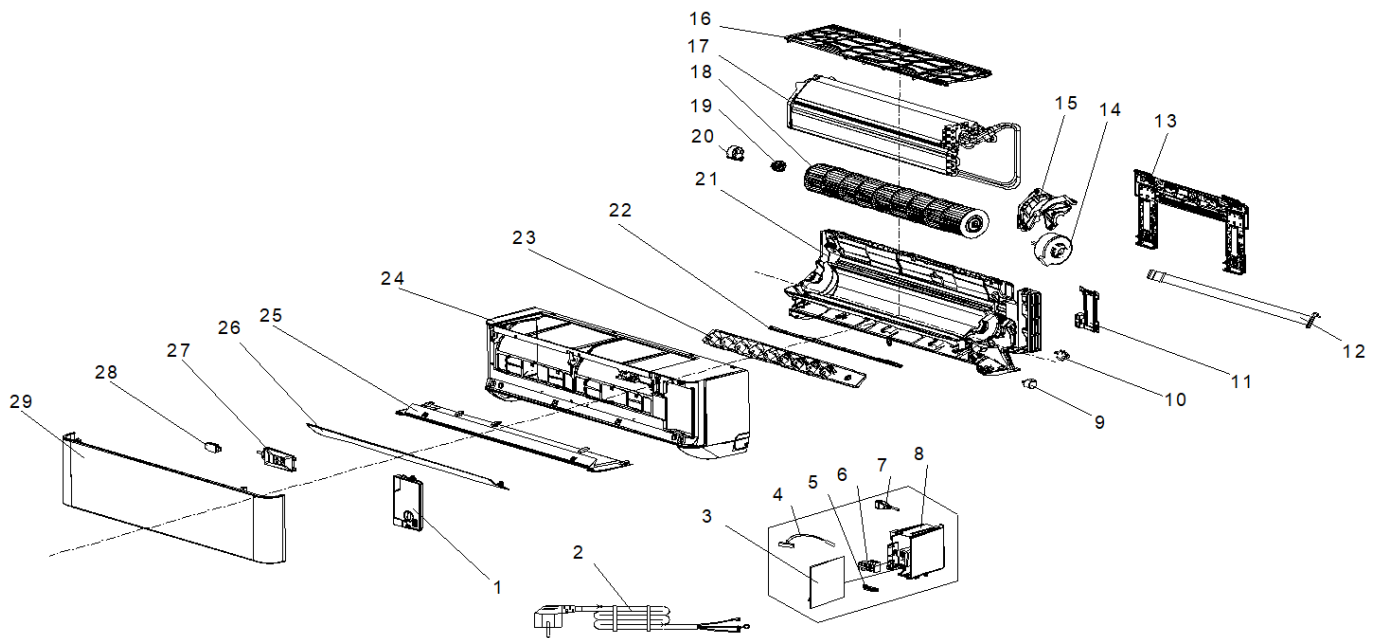
No.	Part No.	Part Name	Quantity	Remark
1	41211-000079	Electrical Box Cover	1	
3	31101-001816	Main PCB	1	
4	10104-100014	Indoor Sensor Assembly	1	
5	42001-000103	Cable Clamp	1	
6	11304-100063	Terminal	1	
8	41105-000427	Electrical Box	1	
9	22001-000313	Vane Motor	1	
10	29901-000078	Step Motor	1	
11	41101-000354	In And Out Pipe Cover	1	
12	42009-000011	Drainage Hose	1	
13	41109-000082	Installation Plate	1	
14	22001-000409	Indoor Motor	1	
15	41108-000153	Indoor Motor Cover	1	
16	41108-000152	Air Filter	1	
17	92011-008759	Evaporator	1	
18	42004-000190	Cross Fan	1	
19	42007-000009	Bearing Mount	1	
20	41101-000251	Bearing Mount Holder	1	
21	41199-004851	Base	1	
22	41101-000396	Step Motor Connect Rod	1	
23	41101-000347	Vertical Vane	1	
24	41106-004133	Face Frame	1	
25	41106-004046	Front Cover Panel	1	
26	41103-000499	Vane	1	
27	31102-000282	Display PCB	1	
29	41106-004043	Panel	1	
30	22013-003893	Remote Controller	1	Not shown in Explosion view
31	42001-000014	Remote Controller supporter	1	
33	A1102-000005	Left Foaming	1	
34	A1102-000006	Right Foaming	1	

YN009ALFI22RPD (Outdoor Unit)



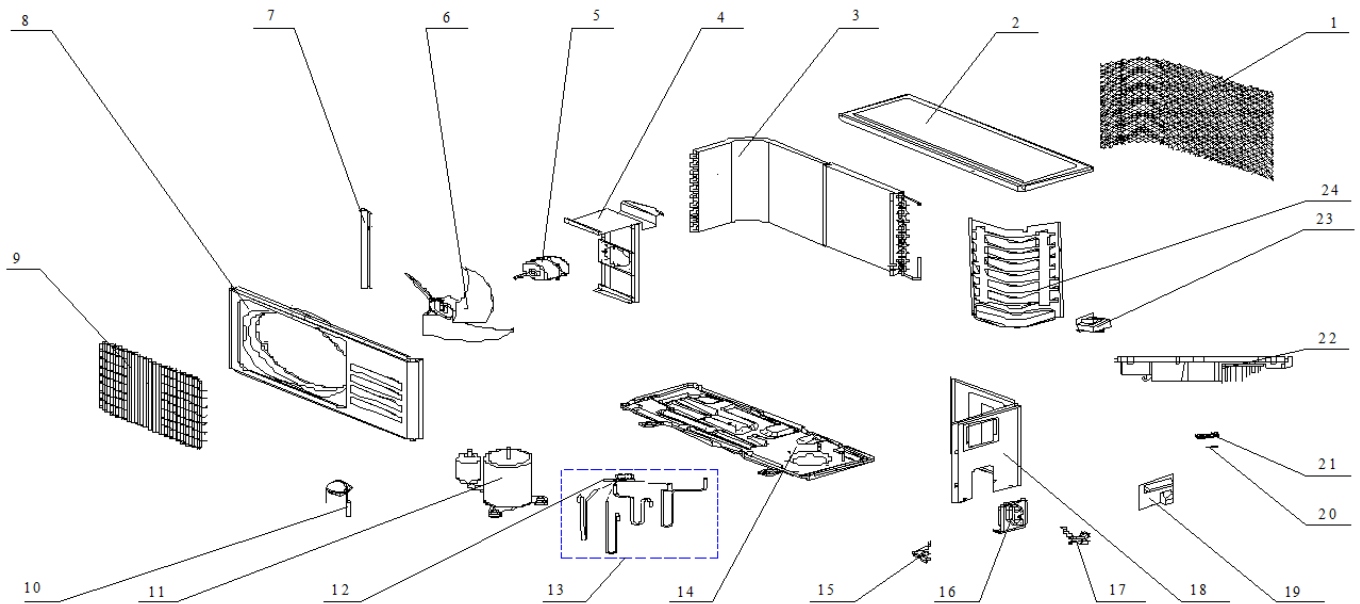
No.	Part No.	Part Name	Quantity	Remark
1	42011-000185	Grille	1	Optional
2	41207-000040	Top Cover	1	
3	92011-008762	Condenser	1	
4	41203-000045	Outdoor Motor Supporter	1	
5	22001-000493	Outdoor Motor	1	
6	42004-000106	Propeller Fan	1	
7	41205-000131	Left grille supporter	1	
8	41206-000059	Front Plate	1	
9	42011-000041	Fan Guard	1	
10	92007-009100	Capillary Assembly	1	
11	92014-000825	Compressor	1	
12	92008-000318	4-way Valve	1	
13	92007-016259	4-way Valve Assembly	1	
14	41202-000228	Base	1	
15	92008-000051	Two-way Valve	1	
16	41204-000018	Valve Supporter	1	
17	92008-000146	Three-way Valve	1	
18	41205-000656	Right Plate	1	
19	41299-001511	Electrical Box Cover	1	
20	42001-000036	Cable clamp	1	
21	11304-100046	Terminal	1	
22	31201-002341	Outdoor PCB Assembly	1	
24	41208-000143	Partition plate	1	
25	10104-100136	Pipe Temp. sensor, Outdoor Temp. sensor, Discharge Temp. sensor	1	Not shown in explosion view
28	A2005-000536	Base carton		
29	#N/A	Cabinet Carton	1	
30	A1202-000041	Base Foaming	1	
31	41213-000032	Cover Forming	1	

WT009GLFI22HLD (Indoor Unit)



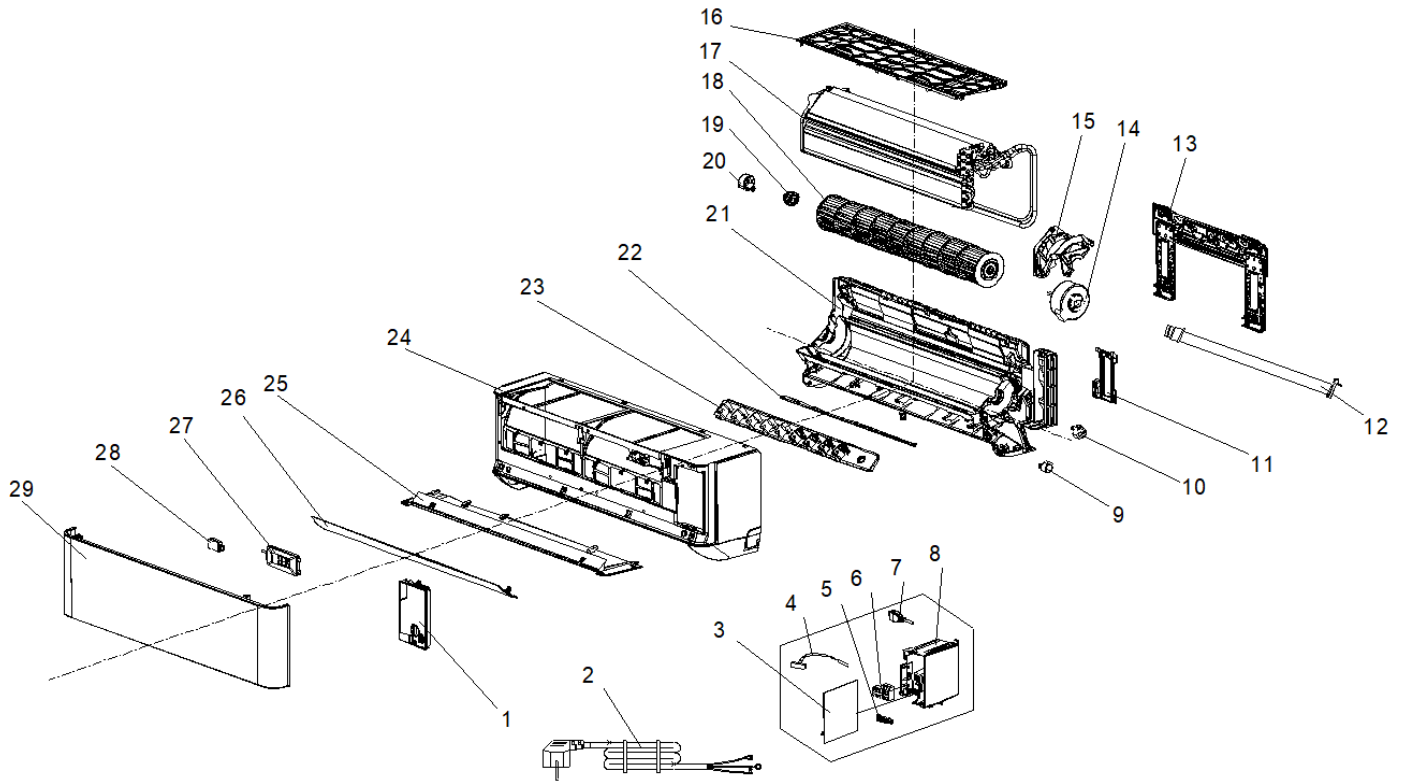
No.	Part No.	Part Name	Quantity	Remark
1	41211-000079	Electrical Box Cover	1	
3	31101-001768	Main PCB	1	
4	10104-100014	Indoor Sensor Assembly	1	
5	42001-000103	Cable Clamp	1	
6	11304-100063	Terminal	1	
8	41105-000427	Electrical Box	1	
9	22001-000313	Vane Motor	1	
10	29901-000078	Step Motor	1	
11	41101-000354	In And Out Pipe Cover	1	
12	42009-000011	Drainage Hose	1	
13	41109-000082	Installation Plate	1	
14	22001-000409	Indoor Motor	1	
15	41108-000153	Indoor Motor Cover	1	
16	41108-000152	Air Filter	1	
17	92011-008759	Evaporator	1	
18	42004-000190	Cross Fan	1	
19	42007-000009	Bearing Mount	1	
20	41101-000251	Bearing Mount Holder	1	
21	41199-004851	Base	1	
22	41101-000396	Step Motor Connect Rod	1	
23	41101-000347	Vertical Vane	1	
24	41106-004133	Face Frame	1	
25	41106-004046	Front Cover Panel	1	
26	41103-000499	Vane	1	
27	31102-000282	Display PCB	1	
29	41106-004043	Panel	1	
30	22013-003893	Remote Controller	1	Not shown in Explosion view
31	42001-000014	Remote Controller supporter	1	
33	A1102-000005	Left Foaming	1	
34	A1102-000006	Right Foaming	1	

YN009GLFI22RPD (Outdoor Unit)



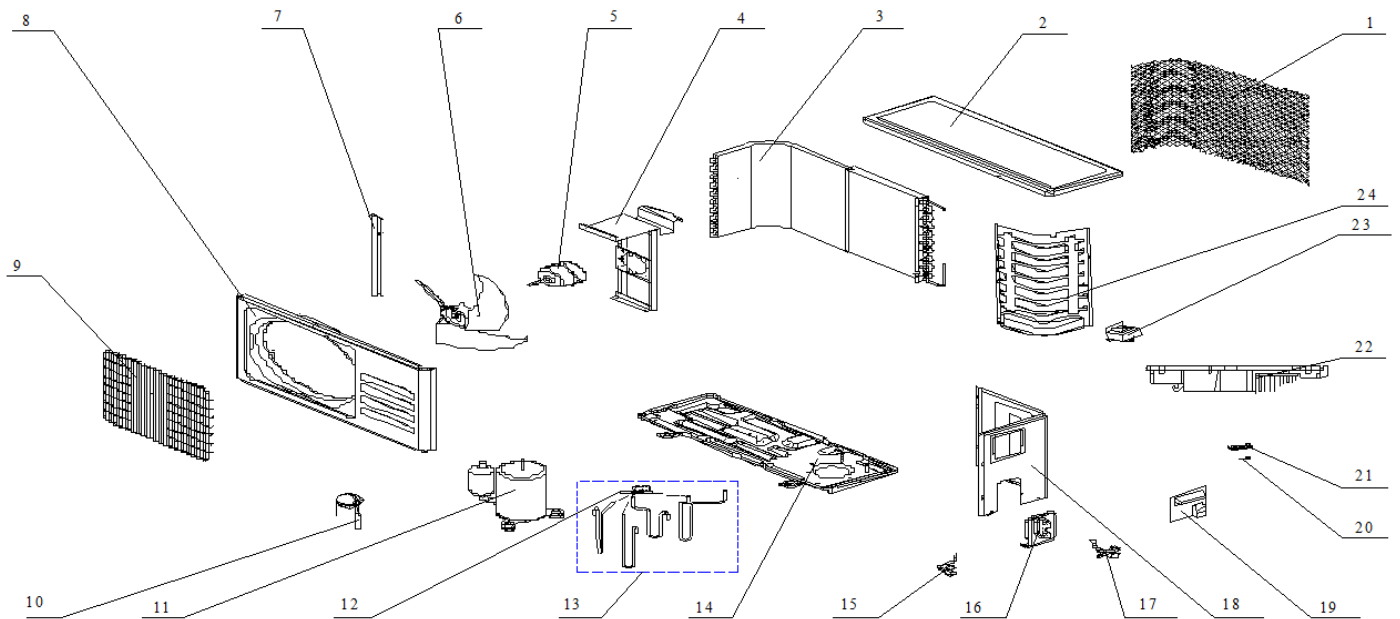
No.	Part No.	Part Name	Quantity	Remark
1	42011-000185	Grille	1	Optional
2	41207-000040	Top Cover	1	
3	92011-008762	Condenser	1	
4	41203-000045	Outdoor Motor Supporter	1	
5	22001-000493	Outdoor Motor	1	
6	42004-000106	Propeller Fan	1	
7	41205-000131	Left grille supporter	1	
8	41206-000059	Front Plate	1	
9	42011-000041	Fan Guard	1	
10	92007-009100	Capillary Assembly	1	
11	92014-000825	Compressor	1	
13	92007-017228	4-way Valve Assembly	1	
14	41202-000228	Base	1	
15	92008-000051	Two-way Valve	1	
16	41204-000018	Valve Supporter	1	
17	92008-000146	Three-way Valve	1	
18	41205-000091	Right Plate	1	
19	41299-001511	Electrical Box Cover	1	
20	42001-000036	Cable clamp	1	
21	11304-100045	Terminal	1	
22	31201-002375	Outdoor PCB Assembly	1	
24	41208-000143	Partition plate	1	
25	10104-100136	Pipe Temp. sensor, Outdoor Temp. sensor, Discharge Temp. sensor	1	Not shown in explosion view
28	A2005-000536	Base carton		
30	A1202-000041	Base Foaming	1	
31	41213-000032	Cover Forming	1	

WT012ALFI22HLD (Indoor Unit)



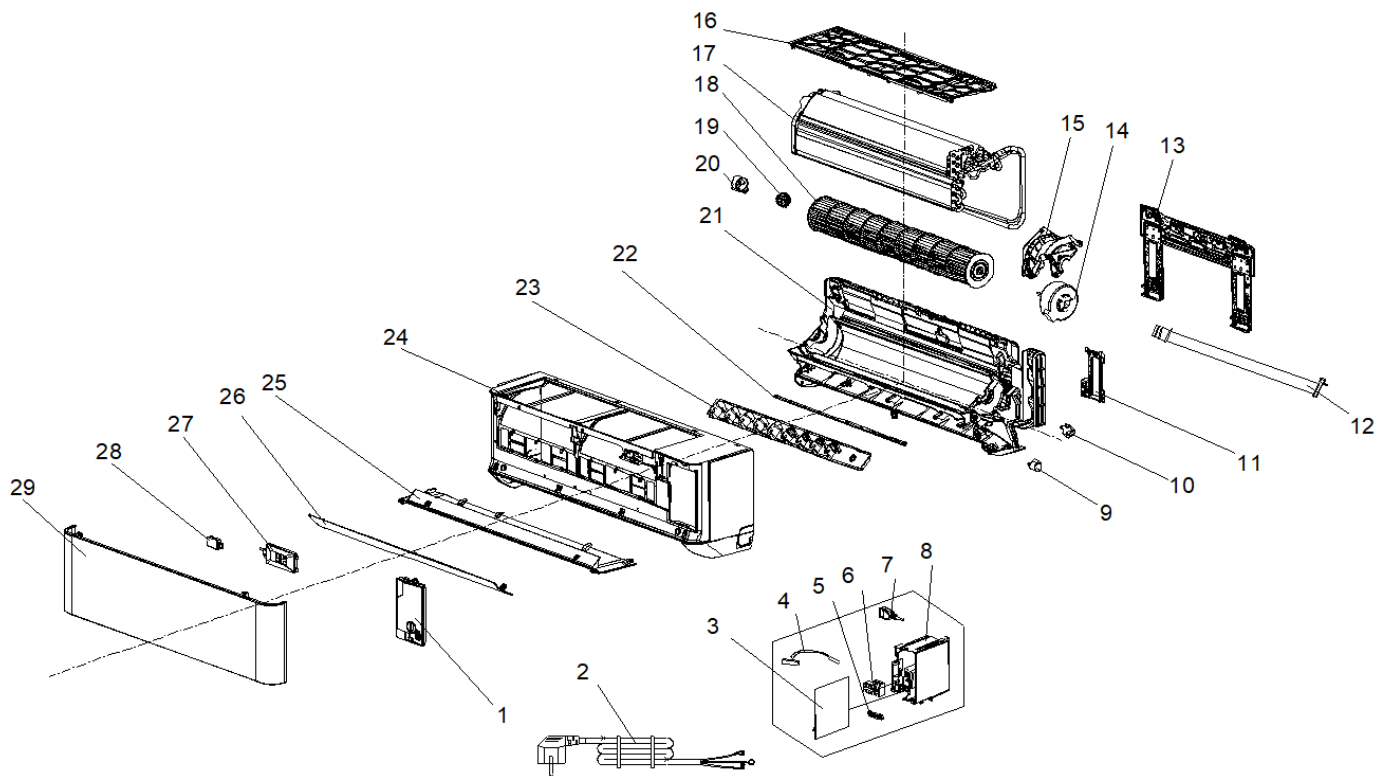
No.	Part No.	Part Name	Quantity	Remark
1	41211-000079	Electrical Box Cover	1	
4	10104-100014	Indoor Sensor Assembly	1	
5	42001-000103	Cable Clamp	1	
6	11304-100063	Terminal	1	
8	41105-000427	Electrical Box	1	
9	22001-000313	Vane Motor	1	
10	22001-000485	Step Motor	1	
11	41101-000354	In And Out Pipe Cover	1	
12	42009-000011	Drainage Hose	1	
13	41109-000082	Installation Plate	1	
14	22001-000409	Indoor Motor	1	
15	41108-000153	Indoor Motor Cover	1	
16	41108-000154	Air Filter	2	
17	92011-008764	Evaporator	1	
18	42004-000175	Cross Fan	1	
19	42007-000009	Bearing Mount	1	
20	41101-000251	Bearing Mount Holder	1	
21	41199-004856	Base	1	
22	41101-000400	Step Motor Connect Rod	1	
23	41101-000347	Vertical Vane Assembly	2	
24	41106-004167	Face Frame	1	
25	41106-004049	Front Cover Panel	1	
26	41103-000507	Vane	1	
27	31102-000282	Display PCB	1	
29	41106-004047	Panel	1	
30	22013-003893	Remote Controller	1	
34	A1102-000005	Left Foaming	1	Not shown in Explosion view
35	A1102-000009	Right Foaming	1	

YN012ALFI22RPD (Outdoor Unit)



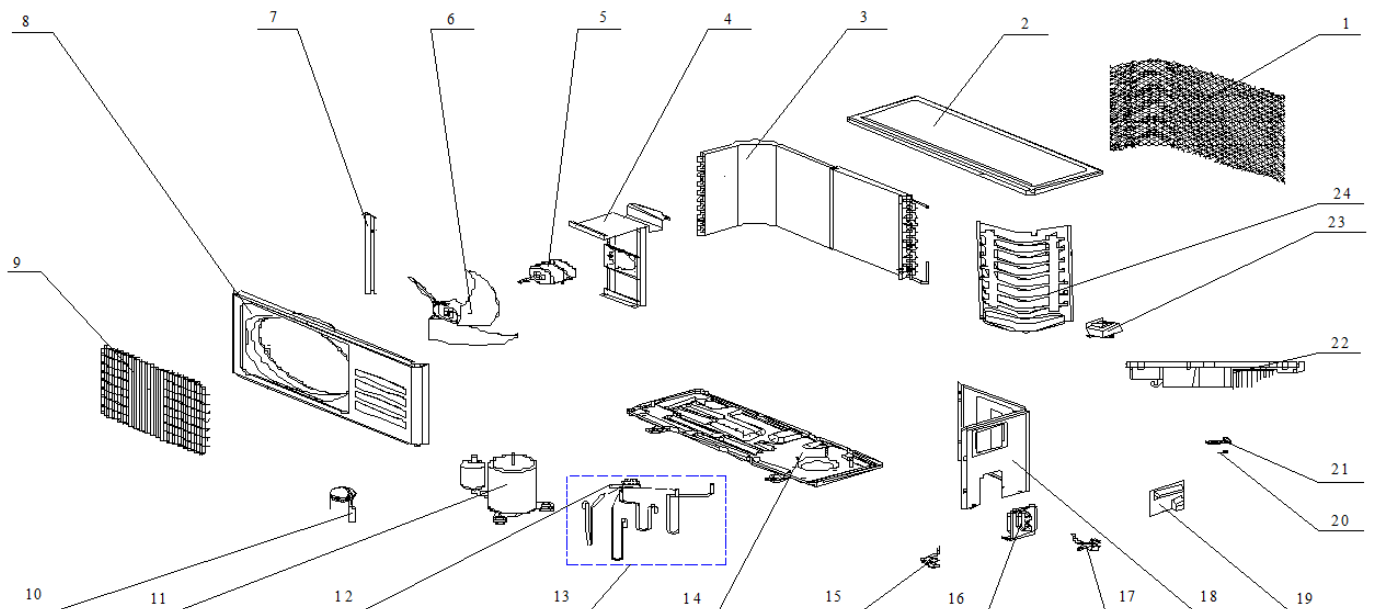
No.	Part No.	Part Name	Quantity	Remark
1	42011-000185	Grille	1	Optional
2	41207-000040	Top Cover	1	
3	92011-004821	Condenser	1	
4	41203-000047	Outdoor Motor Supporter	1	
5	22001-000493	Outdoor Motor	1	
6	42004-000106	Propeller Fan	1	
7	41205-000131	Left grille supporter	1	
8	41206-000059	Front Plate	1	
9	42011-000041	Fan Guard	1	
10	92007-011169	Capillary Assembly	1	
11	92014-000760	Compressor	1	
12	92008-000318	4-way Valve	1	
13	92007-013319	4-way Valve Assembly	1	
14	41202-000228	Base	1	
15	92008-000051	Two-way Valve	1	
16	41204-000018	Valve Supporter	1	
17	92008-000146	Three-way Valve	1	
18	41205-000656	Right Plate	1	
19	41299-001511	Electrical Box Cover	1	
20	42001-000036	Cable clamp	1	
21	11304-100046	Terminal	1	
22	31201-002343	Outdoor PCB Assembly	1	
24	41208-000143	Partition plate	1	
25	10104-100136	Pipe Temp. sensor, Outdoor Temp. sensor, Discharge	1	Not shown in explosion view
28	A2005-000536	Base carton		
30	A1202-000041	Base Foaming	1	
31	41213-000032	Cover Forming	1	

WT012GLFI22HLD (Indoor Unit)



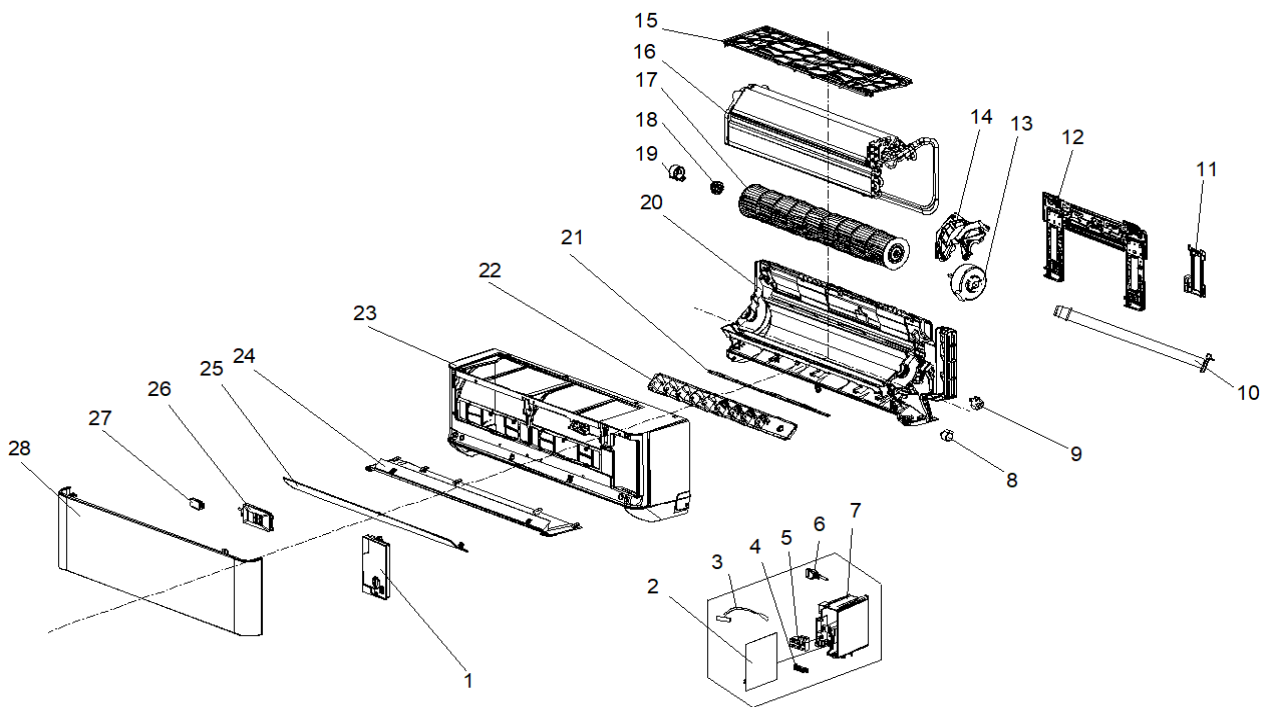
No.	Part No.	Part Name	Quantity	Remark
1	41211-000079	Electrical Box Cover	1	
3	31101-001797	Main PCB	1	
4	10104-100014	Indoor Sensor Assembly	1	
5	42001-000103	Cable Clamp	1	
6	11304-100063	Terminal	1	
8	41105-000427	Electrical Box	1	
9	22001-000313	Vane Motor	1	
10	22001-000485	Step Motor	1	
11	41101-000354	In And Out Pipe Cover	1	
12	42009-000011	Drainage Hose	1	
13	41109-000082	Installation Plate	1	
14	22001-000409	Indoor Motor	1	
15	41108-000153	Indoor Motor Cover	1	
16	41108-000154	Air Filter	2	
17	92011-008764	Evaporator	1	
18	42004-000175	Cross Fan	1	
19	42007-000009	Bearing Mount	1	
20	41101-000251	Bearing Mount Holder	1	
21	41199-004856	Base	1	
22	41101-000400	Step Motor Connect Rod	1	
23	41101-000347	Vertical Vane Assembly	2	
24	41106-004167	Face Frame	1	
25	41106-004049	Front Cover Panel	1	
26	41103-000507	Vane	1	
27	31102-000282	Display PCB	1	
29	41106-004047	Panel	1	
30	22013-003893	Remote Controller	1	
34	A1102-000005	Left Foaming	1	Not shown in Explosion view
35	A1102-000009	Right Foaming	1	

YN012GLFI22RPD (Outdoor Unit)



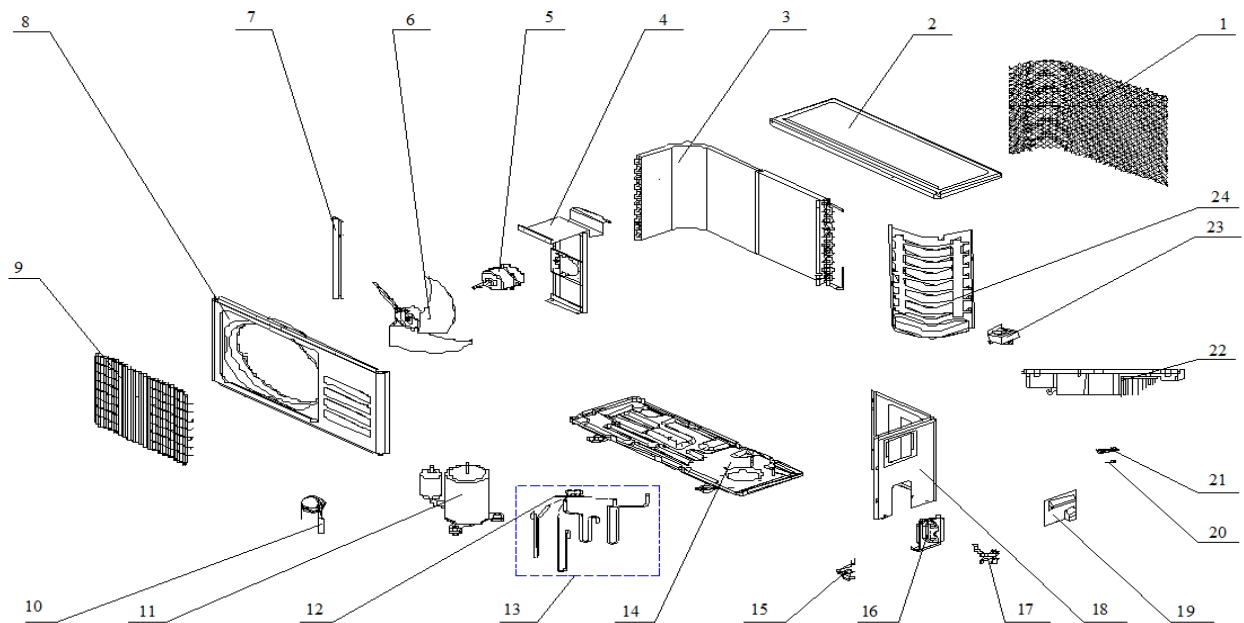
No.	Part No.	Part Name	Quantity	Remark
1	42011-000185	Grille	1	Optional
2	41207-000040	Top Cover	1	
3	92011-004821	Condenser	1	
4	41203-000047	Outdoor Motor Supporter	1	
5	22001-000493	Outdoor Motor	1	
6	42004-000106	Propeller Fan	1	
7	41205-000131	Left grille supporter	1	
8	41206-000059	Front Plate	1	
9	42011-000041	Fan Guard	1	
10	92007-011169	Capillary Assembly	1	
11	92014-000760	Compressor	1	
12	92008-000289	4-way Valve	1	
13	92007-014601	4-way Valve Assembly	1	
14	41202-000228	Base	1	
15	92008-000051	Two-way Valve	1	
16	41204-000018	Valve Supporter	1	
17	92008-000146	Three-way Valve	1	
18	41205-000091	Right Plate	1	
19	41299-001511	Electrical Box Cover	1	
20	42001-000036	Cable clamp	1	
21	11304-100045	Terminal	1	
22	31201-002373	Outdoor PCB Assembly	1	
24	41208-000143	Partition plate	1	
25	10104-100136	Pipe Temp. sensor, Outdoor Temp. sensor, Discharge	1	Not shown in explosion view
28	A2005-000536	Base carton		
30	A1202-000041	Base Foaming	1	
31	41213-000032	Cover Forming	1	

WT018GLFI22HLD (Indoor Unit)



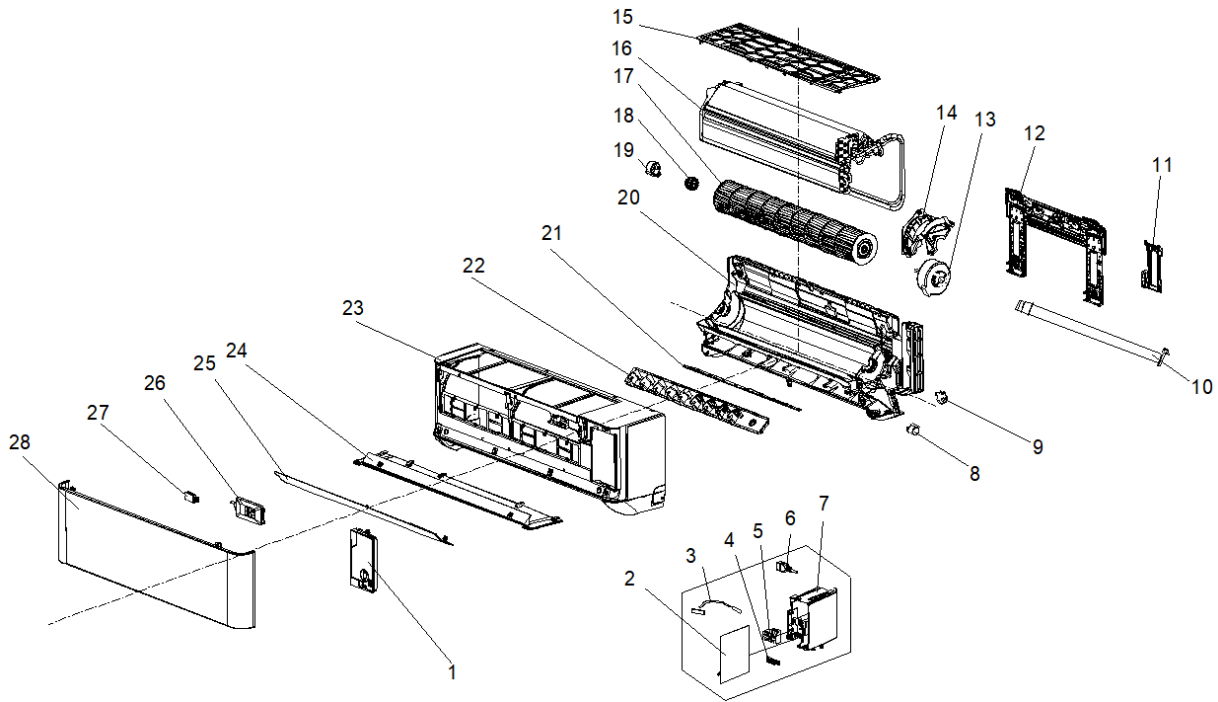
No.	Part No.	Part Name	Quantity	Remark
1	41211-000079	Electrical Box Cover	1	
2	31101-001775	Main PCB	1	
3	10104-100014	Indoor Sensor Assembly	1	
4	42001-000103	Cable Clamp	1	
5	11304-100063	Terminal	1	
7	41105-000427	Electrical Box	1	
8	22001-000360	Vane Motor	1	
9	29901-000078	Step Motor	1	
10	41101-000240	In And Out Pipe Cover	1	
11	42009-000011	Drainage Hose	1	
12	41109-000037	Installation Plate	1	
13	22001-000240	Indoor Motor	1	
14	41108-000009	Indoor Motor Cover	1	
15	42008-000175	Air Filter	2	
16	92011-008753	Evaporator	1	
17	42004-000213	Cross Fan	1	
18	42007-000009	Bearing Mount	1	
19	41101-000251	Bearing Mount Holder	1	
20	41102-000557	Base	1	
21	41101-000373	Step Motor Connect Rod	1	
23	41106-003991	Face Frame Assembly	1	
24	41101-000388	Front shroud	1	
25	41103-000496	Vane	1	
26	32099-006472	Display PCB	1	
28	41106-003990	Panel	1	
29	22013-003893	Remote Controller	1	
32	A1102-000003	Left Foaming	1	Not shown in Explosion view
33	A1102-000004	Right Foaming	1	

YN018GLFI22RPD (Outdoor Unit)



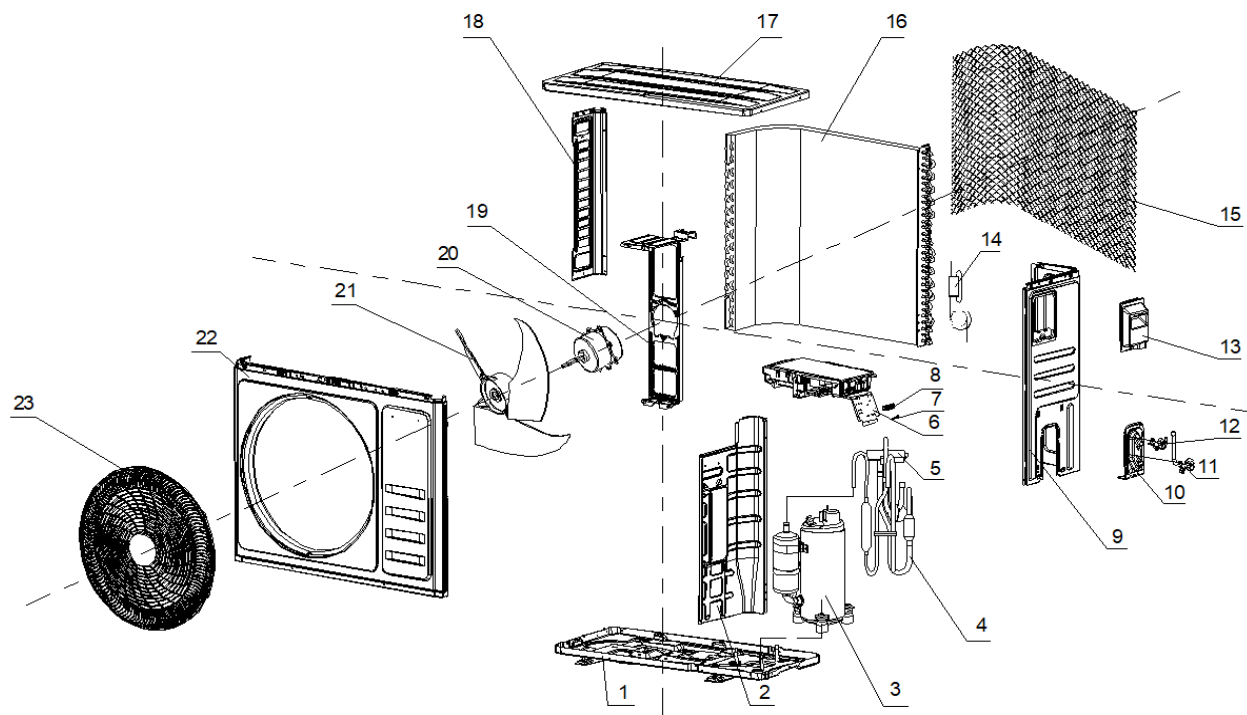
No.	Part No.	Part Name	Quantity	Remark
1	42011-000187	Grille	1	Optional
2	41207-000028	Top Cover	1	
3	92011-008829	Condenser	1	
4	41203-000032	Outdoor Motor Supporter	1	
5	22001-000147	Outdoor Motor	1	
6	42004-000105	Propeller Fan	1	
7	41205-000135	Left grille supporter	1	
8	41206-000058	Front Plate	1	
9	42011-000039	Fan Guard	1	
10	92007-010561	Capillary Assembly	1	
11	92014-000804	Compressor	1	
12	92008-000244	4-way Valve	1	
13	92007-010836	4-way Valve Assembly	1	
14	41202-000408	Base	1	
15	92008-000051	Two-way Valve	1	
16	41204-000018	Valve Supporter	1	
17	92008-000141	Three-way Valve	1	
18	41205-000088	Right Plate	1	
19	41201-000044	Electrical Box Cover	1	
20	42001-000036	Cable clamp	1	
21	11304-100045	Terminal	1	
22	31201-002347	Outdoor PCB Assembly	1	
24	41208-000153	Partition plate	1	
25	10104-100145	Pipe Temp. sensor, Outdoor Temp. sensor, Discharge Temp. sensor	1	Not shown in explosion view
27	22004-000010	Heater	1	
28	A1201-010791	Base carton	1	
30	A1202-000030	Base Foaming	1	
31	41110-000204	Cover Forming	1	

WT024GLFI22HLD (Indoor Unit)



No.	Part No.	Part Name	Quantity	Remark
1	41211-000079	Electrical Box Cover	1	
2	31101-001759	Main PCB	1	
3	10104-100014	Indoor Sensor Assembly	1	
4	42001-000103	Cable Clamp	1	
5	11304-100063	Terminal	1	
7	41105-000427	Electrical Box	1	
8	22001-000360	Vane Motor	1	
9	29901-000078	Step Motor	1	
10	41101-000240	In And Out Pipe Cover	1	
11	42009-000011	Drainage Hose	1	
12	41109-000037	Installation Plate	1	
13	22001-000240	Indoor Motor	1	
14	41108-000009	Indoor Motor Cover	1	
15	42008-000175	Air Filter	2	
16	92011-008756	Evaporator	1	
17	42004-000213	Cross Fan	1	
18	42007-000009	Bearing Mount	1	
19	41101-000251	Bearing Mount Holder	1	
20	41102-000557	Base	1	
21	41101-000373	Step Motor Connect Rod	1	
23	41106-003991	Face Frame Assembly	1	
24	41101-000388	Front shroud	1	
25	41103-000496	Vane	1	
26	32099-006472	Display PCB	1	
28	41106-003990	Panel	1	
29	22013-003893	Remote Controller	1	Not shown in Explosion view
32	A1102-000003	Left Foaming	1	
33	A1102-000004	Right Foaming	1	

YN024GLFI22RPD (Indoor Unit)



No.	Part No.	Part Name	Quantity	Remark
1	41202-000440	Base	1	
2	41208-000228	Partition plate	1	
3	92014-000814	Compressor and accessories	1	
4	92007-007325	4-way valve assembly	1	
5	92008-000244	4-way valve	1	
6	31201-002331	Outdoor PCB Assembly	1	
7	42001-000036	Cable clamp	1	
	42001-000038	Cable clamp	1	
8	11304-100045	Terminal	1	
9	41205-000220	Right plate	1	
10	41204-000018	Valve supporter	1	
11	92007-005289	Three-way valve	1	
12	92007-007583	Two-way valve	1	
13	41211-000109	Electronic Box Cover	1	
14	92007-007343	Capillary assembly	1	
15	42011-000419	Grille	1	
16	92011-008734	Condenser	1	
17	41207-000048	Top cover	1	
18	41205-000217	Left plate	1	
19	41203-000115	Outdoor motor supporter	1	
20	22001-000147	Outdoor motor	1	
21	42004-000091	Propeller fan	1	
22	41206-000076	Front plate	1	
23	42011-000031	Fan guard	1	
24	10104-100145	Outdoor Temp. sensor assembly	1	Not shown in explosion view
25	A1201-012669	Base carton	1	
27	A1202-000086	Base foaming	1	
28	A1202-000085	Cover foaming	1	

The design and specifications of this product are subject to change without prior notice as development continues. Consult with the sales agency or manufacturer for details. Refer to the equipment nameplate for all other applicable specifications.



is a registered trademark of Parker Davis HVAC International, Inc.

Parker Davis HVAC International, Inc.

3250 NW 107 Avenue, Doral, FL 33172 - USA

Tel : (305) 513-4488

Fax : (305) 513-4499

E-mail : support@pdhvac.com

Website: <https://www.pdhvac.com>

Pioneer product line, parts, and supplies are available online for convenient ordering at:

<https://www.highseer.com>

<https://www.pioneerminisplit.com>

Scan the below code to visit our support page where you can find more installation materials:

