

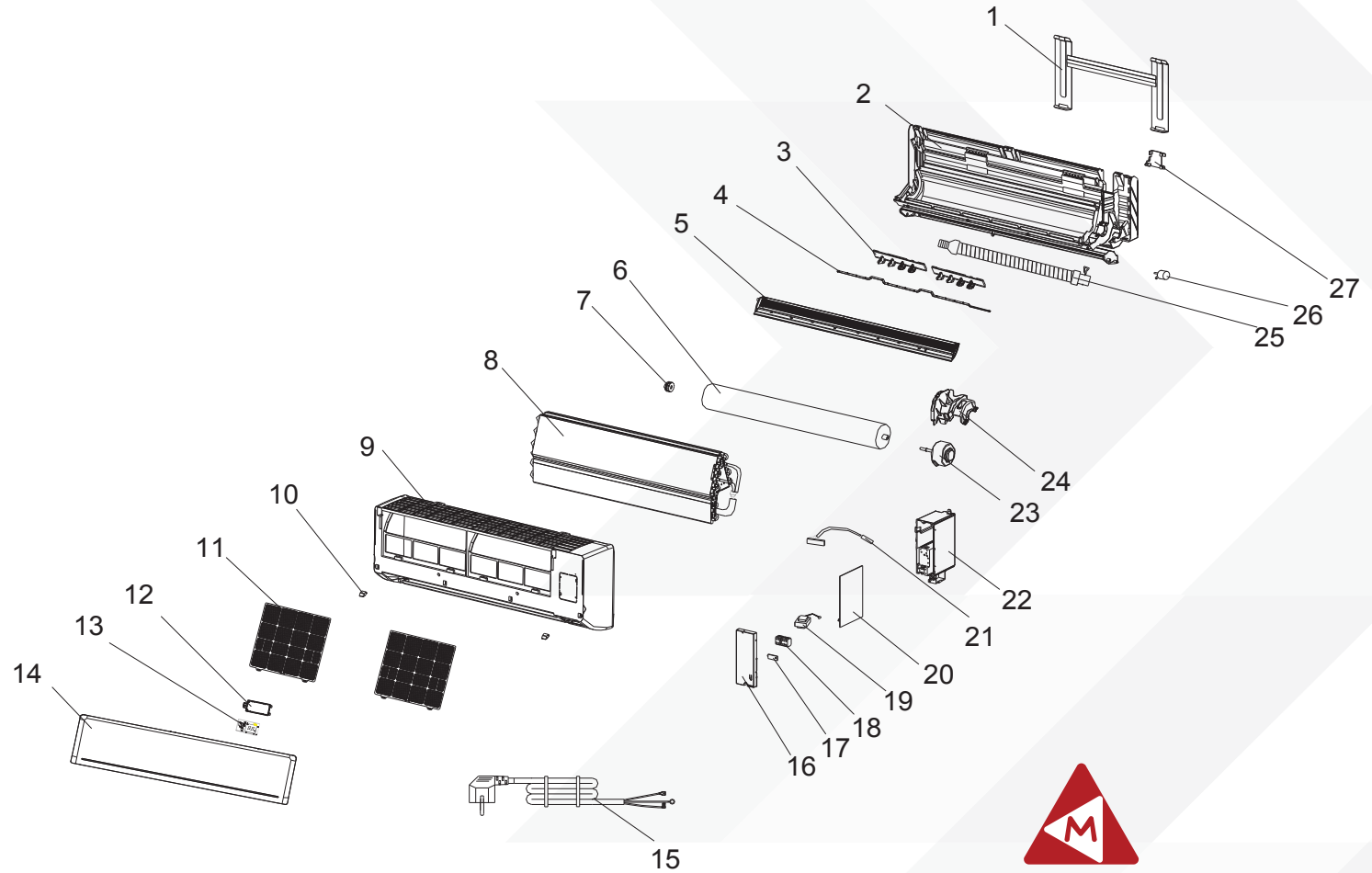
Exploded View

VENTUS X INVERTER

9,000 BTU

hvacmirage.us

- | No. | Part Name |
|-----|-------------------------|
| 1 | Installation Plate |
| 2 | Base |
| 3 | Vertical Vane Assembly |
| 4 | Vertical Vane Connector |
| 5 | Vane |
| 6 | Cross Fan |
| 7 | Bearing Mount |
| 8 | Evaporator |
| 9 | Face Frame |
| 10 | Screw Cover |
| 11 | Air Filter |
| 12 | Display PCB Box |
| 13 | Display PCB |
| 14 | Front Panel |
| 15 | Power Supply Cord |
| 16 | Electrical Box Cover |
| 17 | Cable Clamp |
| 18 | Terminal |
| 19 | Transformer |
| 20 | Main PCB |
| 21 | Indoor Sensor Assembly |
| 22 | Electrical Box |
| 23 | Indoor Motor |
| 24 | Indoor Motor Cover |
| 25 | Drainage Hose |
| 26 | Vane Motor |
| 27 | In And Out Pipe Fixer |
| 28 | Remote Controller |
| 29 | Indoor Carton |
| 30 | Left Foaming |
| 31 | Right Foaming |



HVAC MIRAGE

Think smart. Think cool. Think Mirage.

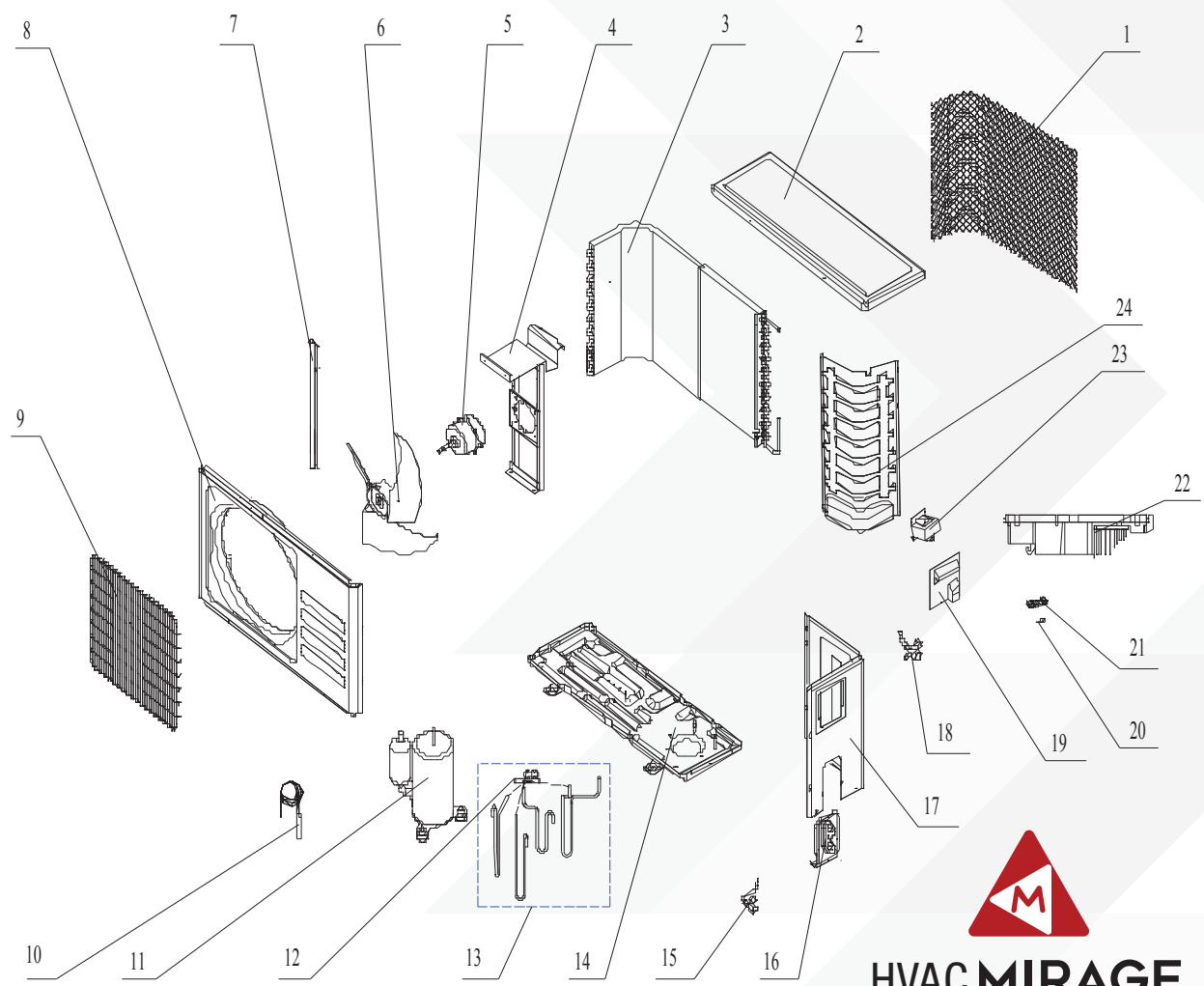
Exploded View

VENTUS X INVERTER

9,000 BTU

hvacmirage.us

- No.,Part Name,**
- 1 Grille
 - 2 Top Cover
 - 3 Condenser
 - 4 Outdoor Motor Supporter
 - 5 Outdoor Motor
 - 6 Propeller Fan
 - 7 Left grille supporter
 - 8 Front Plate
 - 9 Fan Guard
 - 10 Capillary Assembly
 - 11 Compressor
 - 12 4-way Valve
 - 13 4-way Valve Assembly
 - 14 Base
 - 15 Two-way Valve
 - 16 Valve Supporter
 - 17 Three-way Valve
 - 18 Right Plate
 - 19 Electrical Box Cover
 - 20 Cable clamp
 - 21 Terminal
 - 22 Outdoor PCB Assembly
 - 23 Inductor
 - 24 Partition plate
 - 25 Pipe Temp. sensor and outdoor Temp. sensor
 - 26 Discharge Temp. sensor
 - 27 Compressor Capacitor
 - 28 Base carton
 - 29 Cabinet Carton
 - 30 Base Foaming
 - 31 Cover Forming



HVAC MIRAGE

Think smart. Think cool. Think Mirage.