

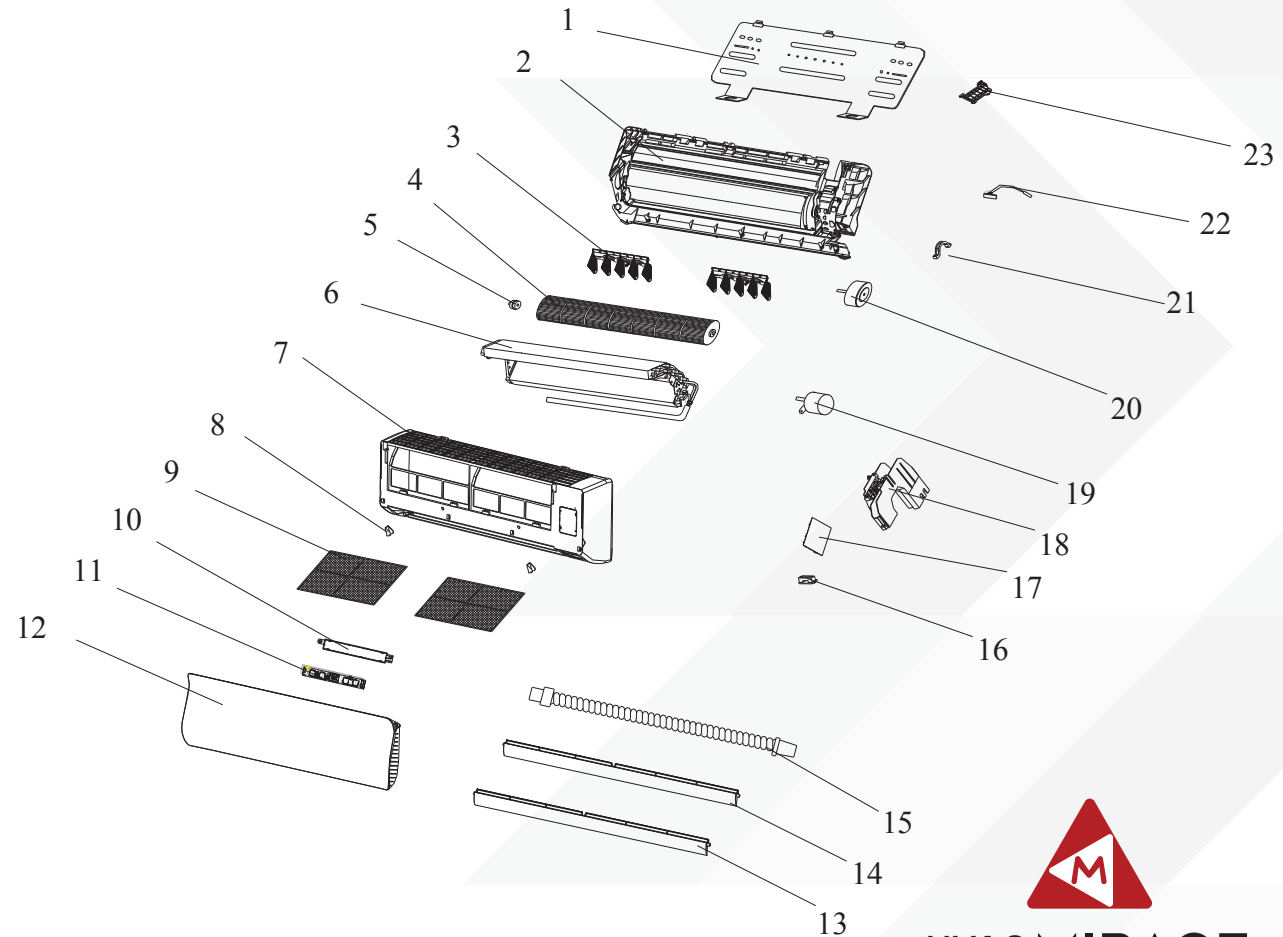
# Exploded View

## VENTUS X INVERTER

24,000 BTU

hvacmirage.us

- | No. | Part Name                    |
|-----|------------------------------|
| 1   | Installation Plate           |
| 2   | Base                         |
| 3   | Vertical Vane Assembly       |
| 4   | Cross Fan                    |
| 5   | Bearing Mount                |
| 6   | Evaporator                   |
| 7   | Face Frame                   |
| 8   | Screw Cover                  |
| 9   | Air Filter                   |
| 10  | Display PCB Box              |
| 11  | Display PCB                  |
| 12  | Front Panel                  |
| 13  | Up Vane                      |
| 14  | Down Vane                    |
| 15  | Drainage Hose                |
| 16  | Cable Clamp                  |
| 17  | Main PCB                     |
| 18  | Electrical Box               |
| 19  | Vane Motor<br>Vertical Motor |
| 20  | Indoor Motor                 |
| 21  | Indoor Motor Cover           |
| 22  | Indoor Sensor Assembly       |
| 23  | In And Out Pipe Fixer        |
| 24  | Remote Controller            |
| 25  | WIFI module                  |
| 26  | Indoor Carton                |
| 27  | Left Foaming                 |
| 28  | Right Foaming                |
| 29  | Middle Pasteboard Supporter  |



**HVAC MIRAGE**

Think smart. Think cool. Think Mirage.

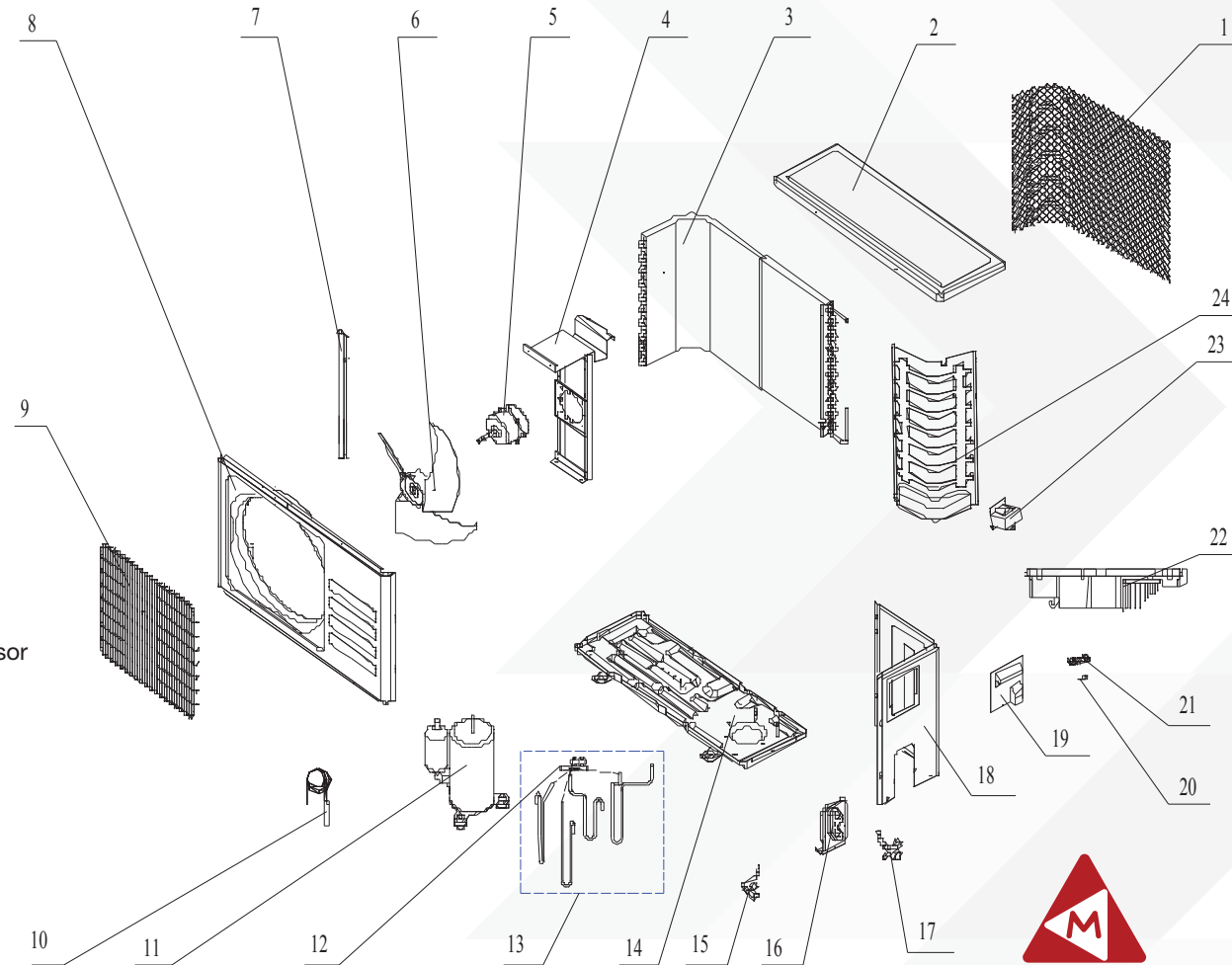
# Exploded View

# VENTUS X INVERTER

24,000 BTU

[hvacmirage.us](http://hvacmirage.us)

- No.,Part Name,**
- 1 Grille
  - 2 Top Cover
  - 3 Condenser
  - 4 Outdoor Motor Supporter
  - 5 Outdoor Motor
  - 6 Propeller Fan
  - 7 Left grille supporter
  - 8 Front Plate
  - 9 Fan Guard
  - 10 Capillary Assembly
  - 11 Compressor
  - 12 4-way Valve
  - 13 4-way Valve Assembly
  - 14 Base
  - 15 Two-way Valve
  - 16 Valve Supporter
  - 17 Three-way Valve
  - 18 Right Plate
  - 19 Electrical Box Cover
  - 20 Cable clamp
  - 21 Terminal
  - 22 Outdoor PCB Assembly
  - 23 Inductor
  - 24 Partition plate
  - 25 Pipe Temp. sensor and outdoor Temp. sensor
  - 26 Discharge Temp. sensor
  - 27 Heater
  - 28 Base carton
  - 29 Cabinet Carton
  - 30 Base Foaming
  - 31 Cover Forming



## HVAC MIRAGE

Think smart. Think cool. Think Mirage.