

Job Name:	
Submitted By:	



Submittal Sheet For: **YN024GMFI22RPE / UB024GMFILCFHD**

Date _____
 Ref. _____

Floor/Ceiling Mount Inverter Driven Heat Pump (2 Ton)

System Full Set Model: **UYB024GMFILCAD**
 AHRI Reference Number: **208141957**

Cooling Mode Performance

Rated Cooling	24000 BTU/hr
Ambient Range	5°F ~ 122°F
SEER Rating	20.0 BTU/W·h
EER Rating	12.5 BTU/W·h

* 100% Capacity @ Indoor DB 80°F/WB 66°F / Outdoor DB 95°F/WB 75°F / m.w. 16' lineset

Heating Mode Performance

Rated Heating	24000 BTU/hr
Ambient Range	-13°F ~ 86°F
HSPF IV (V)	11.2 (8.2) BTU/W·h
COP	3.66 W/W

* High Heat (47°F) = 24000 BTU / Low Heat (17°F) = 16000 BTU / COP(5°F) = 1.75



Floor/Ceiling Flex Indoor Unit



Outdoor Condensing Unit



Installation Kit (Pipe+Cable)



Handheld Remote Controller

Electrical Information

Rated Input (W)	Cooling	Heating
	1,920	1,920
Rated Current (A)	8.78	8.78
Breaker Needed	25A (double-pole)	
Power Supply	208~230V, 1Ph, 60Hz	

Piping and Refrigerant

Liquid Line (OD)	3/8"
Suction Line (OD)	5/8"
Refrigerant Precharge	R410a (10 - 25 ft.)
Max Length/Height Diff.	164 Ft. / 82 Ft.

Interior Unit (Air Handler) Specifications

Airflow Rate (CFM)	759 (Hi) / 708 (Med) / 598 (Lo)
Sound Level (dBA)	51.0 (Hi) / 47.0 (Med) / 42.0 (Lo)
Mounting Options	Upright (Floor) / Horizontal (Ceiling)
Dimensions (WDH)	42"-1/16 x 9"-1/4 x 26"-9/16
Weight (Lbs)	60.6

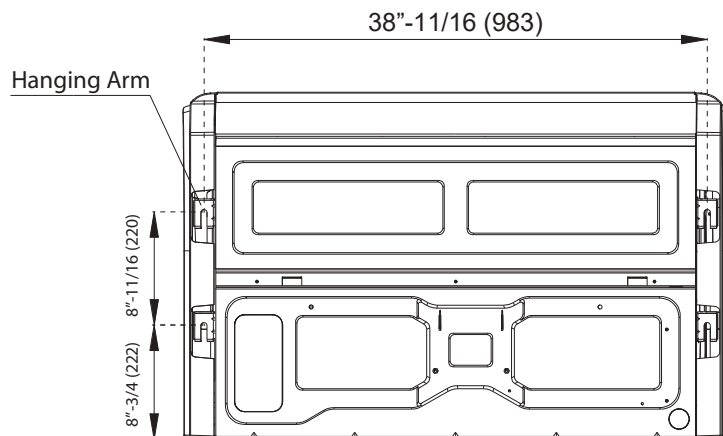
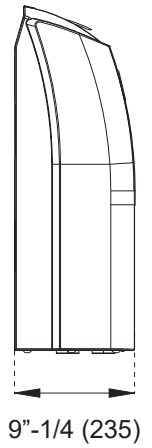
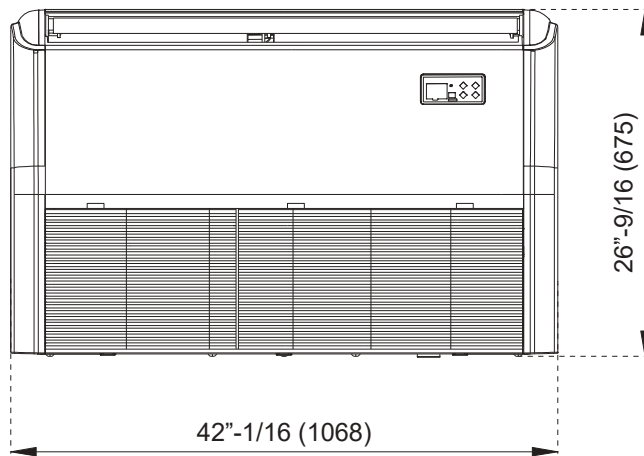
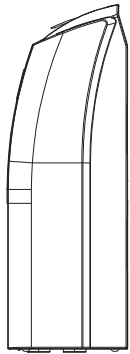
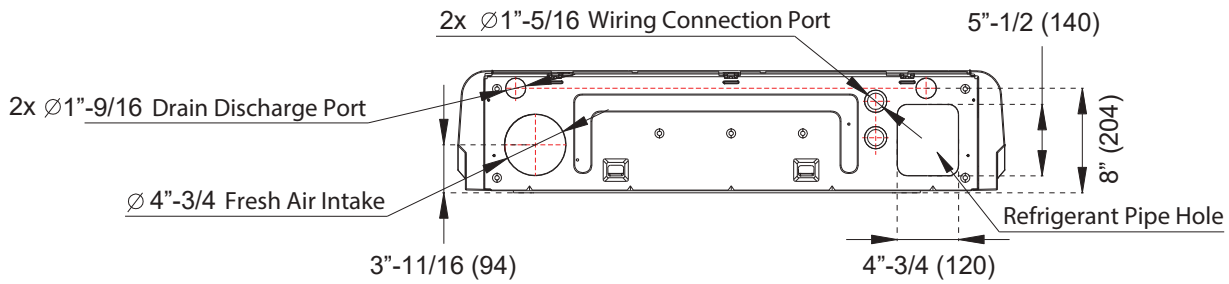
Exterior Unit (Condenser) Specifications

Airflow Rate (CFM)	2,235
Sound Level (dBA)	61.0
Metering Device	Electronic Expansion Valve (EXV)
Compressor	Rotary
Dimensions (WDH)	37"-1/4 x 16"-1/8 x 31"-7/8"
Weight (Lbs)	124.8

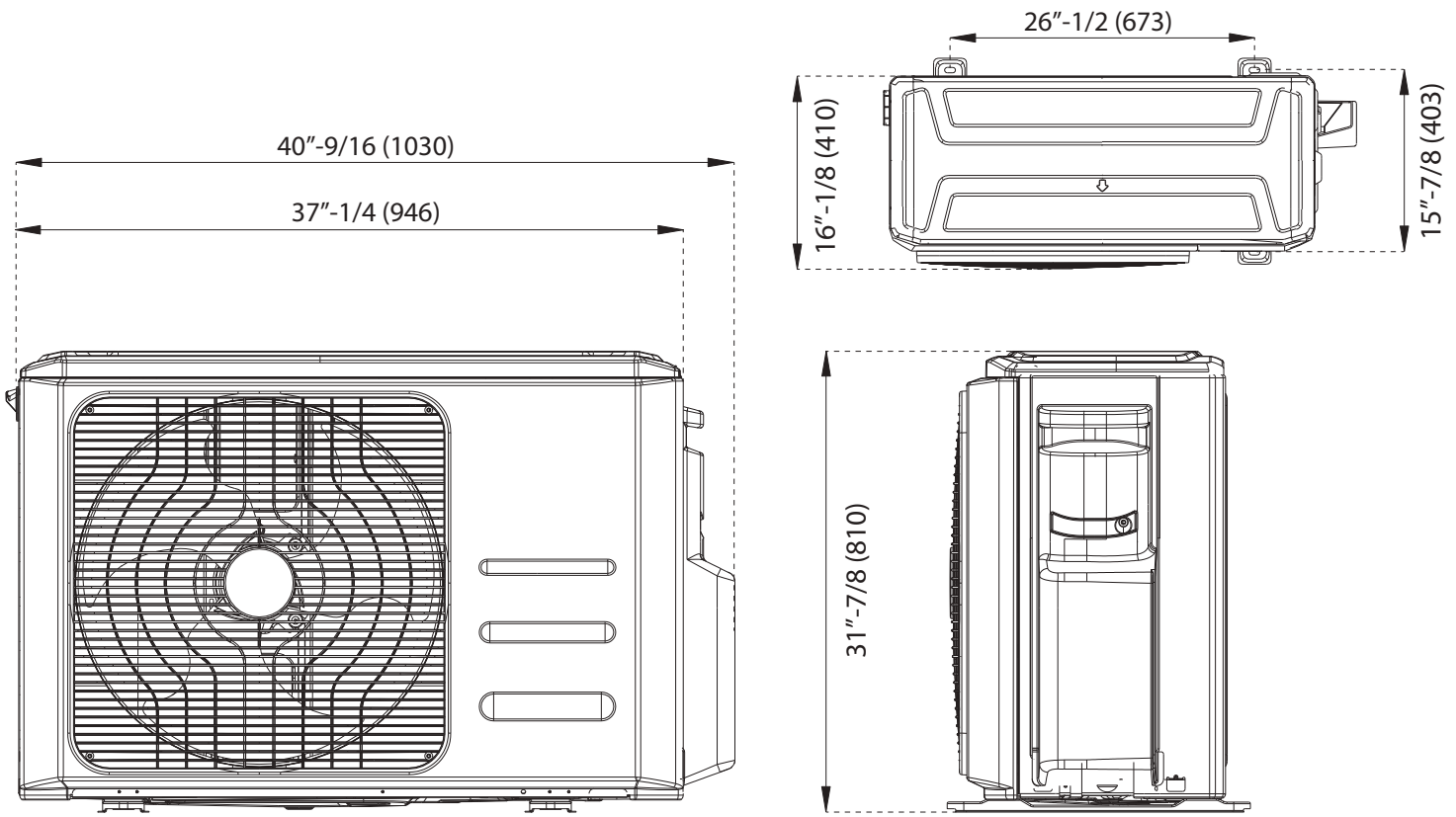
This combination is Energy-Star® certified.



UB024GMFILCFHD Air Handler Dimensional Data



All dimensions are in Inches (mm)



Warranty Information and Length



Complete warranty details are available with the vendor or online at <https://www.pdhvac.com/support/warranty/>. This high quality system is eligible for up to **5** years limited warranty on the compressor, and **5** years on other internal parts. To qualify for this warranty, the system must be installed within 90 days and registered properly. All other installations that are unregistered qualify for only **1** year parts/compressor warranty.

Outstanding Features

- Minimalist Design + Quiet Operation
- Two-Way Installation (Ceiling/Floor)
- Optional Programmable Controller
- Multiple Lineset Hookup Options
- 3D Airflow (Vertical + Horizontal)
- Washable Re-usable Filter
- Dual Drainage Locations
- Fresh Air Intake Port

Available Accessories

Part Number	Description
IKT-LCVR4P-KIT	<i>Decorative PVC Line Cover Kit</i>
TST-LCACWIFIKP	<i>Smart-WiFi Wired Wall Thermostat Kit</i>
BRK-FRM-C-2P	<i>Folding Mounting Bracket w/ Leveler</i>
IKT-UVL32UL-AG	<i>UVC Bacterial Disinfection Kit</i>
@ICM517	<i>Ultimate Surge and Power Protection</i>