

INSTALLATION INSTRUCTIONS



U Series Pump House Utility Heater



SPECIFICATIONS	
Watts	62W—1000W
Power (Volts)	120V—240V
Thermostat	Built-in 40°F-90°F

DANGER

ELECTRIC SHOCK OR FIRE HAZARD

READ ALL WIRE SIZING, VOLTAGE REQUIREMENTS AND SAFETY DATA TO
 AVOID PROPERTY DAMAGE AND PERSONAL INJURY

The *U Series Pump House Utility Heater* is designed to keep mechanical equipment such as pumps, valves and farm machinery from freezing. Having the radiant heat absorbed by the metal equipment makes this heater more effective than convection heaters.

⚠ WARNING ⚠

READ CAREFULLY - It is extremely important to verify the electrical power supply is the same voltage as the heater you are installing. 120 Volt heaters are usually not interchangeable with 240 Volt power supply. Powering a 240 Volt unit with 120 Volt power supply will reduce the heater output by approximately 75% which may be undesirable for your application. Powering a 120 Volt unit with 240 Volt power supply will destroy the heater and void all warranties, if the heater is not made to be connected to 120 and 240 Volts. The 240 Volt pump house heater can be run on 120 Volts for reduced wattage.

- ⚠ WARNING** Turn off power source supplying the heater before attempting installation, maintenance or repairs. Lock or tag circuit breaker or fuse panel door. Failure to do so could result in serious electrical shock, burns or possible death.
- ⚠ WARNING** FIRE OR EXPLOSION MAY OCCUR! During normal operation the heater has hot components and arcing or sparking parts inside. Do not use it in areas where gasoline, paint or other flammable liquids are used or stored.
- ⚠ WARNING** RISK OF FIRE. To prevent a possible fire, do not block the intakes or outlets in any manner. Do not use on soft surfaces, like a bed where openings may become blocked. Keep clear of all obstructions. Maintain a 16" minimum clearance from front & 12 inches from sides and rear. Heaters must be kept clean of lint, dirt, & debris.
- ⚠ WARNING** BURN HAZARD. This heater is hot when it is in use. To avoid burns, do not touch the case, grill or interior parts of the heater when in use. Allow the heater to cool down before touching or servicing.
- ⚠ WARNING** RISK OF ELECTRICAL SHOCK. Connect the heater to a properly grounded power supply only. Do not insert or allow foreign objects to enter the intake or exhaust opening of the heater as this may cause an electric shock or fire and damage the heater. Disconnect power supply to the heater before performing any maintenance or when not in use.
- ⚠ WARNING** Risk of fire, DO NOT use as a residential or household heater.
- ⚠ WARNING** NEVER SUSPEND OR HANG ANY OBJECTS FROM A MOUNTED HEATER.
- ⚠ WARNING** CAUTION— RISK OF ELECTRIC SHOCK. DO NOT OPEN HEATER CASE WHEN CONNECTED TO POWER SUPPLY.

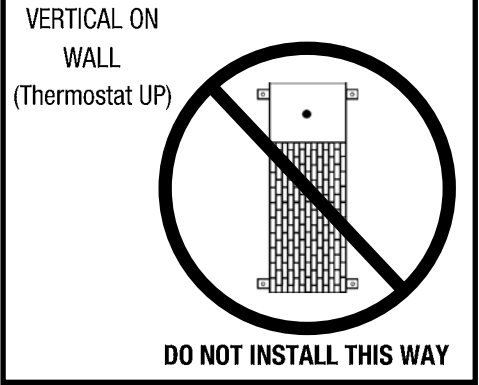
INSTALLATION INSTRUCTIONS



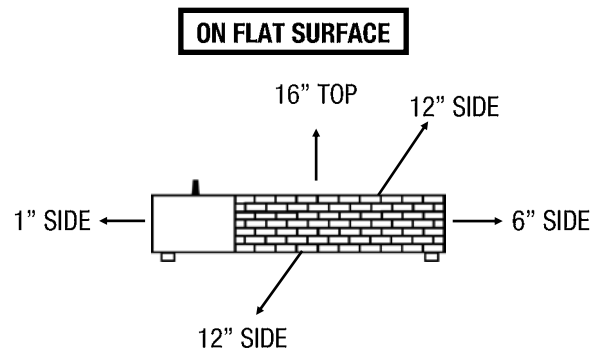
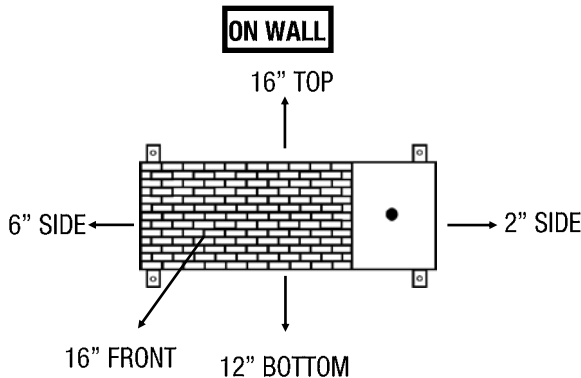
U Series Pump House Utility Heater

INSTALLATION INSTRUCTIONS

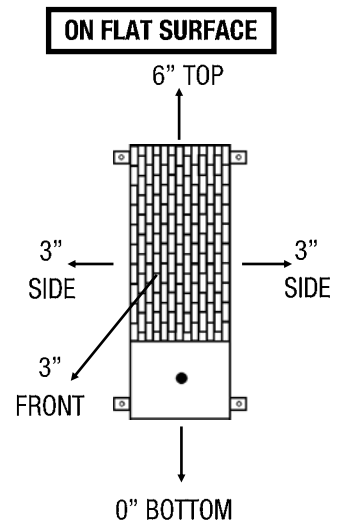
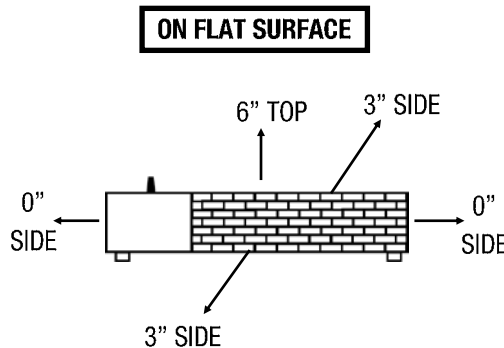
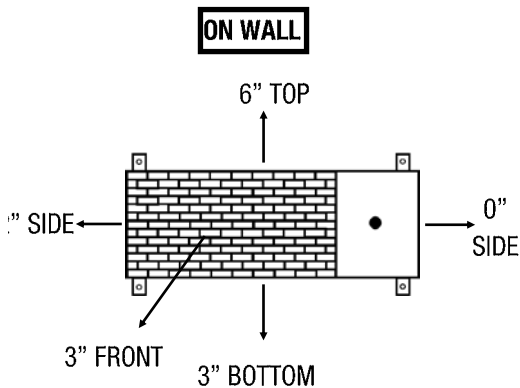
- Remove heater from box. Check contents received for damage from shipping.
- Attach unit to wall or flat surface following dimensional clearances below.
- Remove Unit can be installed in either horizontal (full wattage) or vertical (up to 500W) positions.
- Unit CANNOT be installed vertically with thermostat at the top.
- Remove junction box cover and connect power with appropriate starin relief device.
- Attach power wires to lead wires in unit.
- Replace junction box cover and turn thermostat off.
- Apply power.
- Turn thermostat On and test to insure that the unit and thermostat are working properly.
- Set thermostat to desired temperature.



Clearances from combustible surfaces



Low wattage clearances from combustible surfaces—for 62 Watts to 187 Watts



Mounting hole size: 3/16"

Mounting dimensions: 16-1/4"

INSTALLATION CONTINUED



SPECIFICATIONS	
Watts	62W—1000W
Power (Volts)	120V—240V
Thermostat	Built-in 40°F-90°F

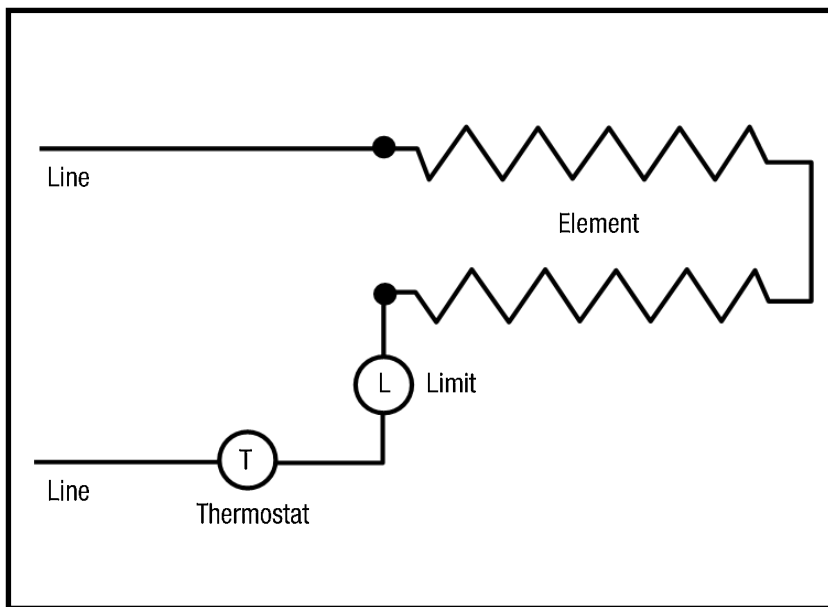
DANGER

ELECTRIC SHOCK OR FIRE HAZARD

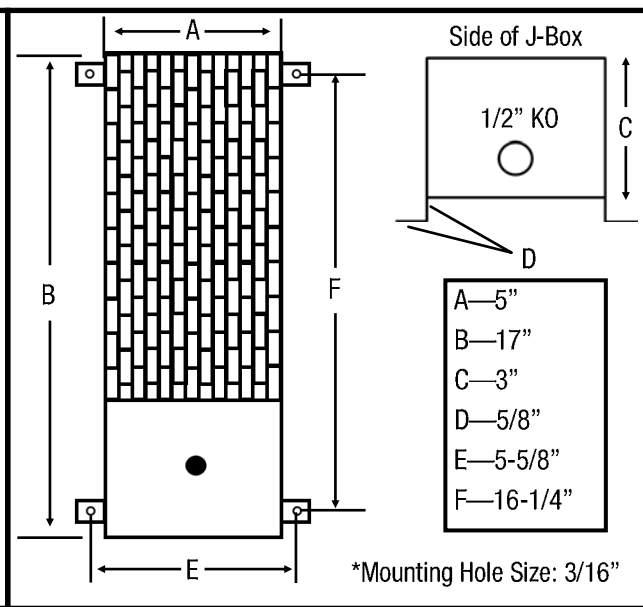
READ ALL WIRE SIZING, VOLTAGE REQUIREMENTS AND SAFETY DATA TO AVOID PROPERTY DAMAGE AND PERSONAL INJURY

WIRING DIAGRAM/DEMENSIONS

Wiring Diagram



Dimensions



SELECTION

WATTAGE	120 VOLT		240 VOLT		WT. (lbs.)
	MODEL	UPC# 093319	MODEL	UPC# 093319	
62	*U2425	12612			4
125	*U2450	12615			
187	*U2475	12618			
250	*U24100	12621	U2425	12612	
500	U1250	12605	U2450	12615	
750	U1275	12606	U2475	12618	
1000	U12100	12609	U24100	12621	

DO NOT RETURN PRODUCT

Are you experiencing difficulties?

We're Here to Help!

Call Us Toll Free at:

1-800-603-5464

(Select Option 2 from the Menu)

7:00 am -3:30 pm PST Mon-Fri

Or email us at tech@king-electric.com

Please have the following information available:

Supply Voltage Heater Model Number

Remote or Inbuilt Thermostat? Date of Installation

100289



Smart Heating Solutions