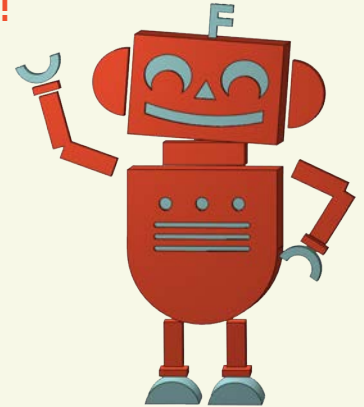


STRAIGHT CONNECTION DIRECTIONS

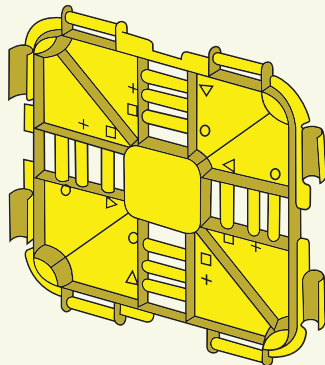
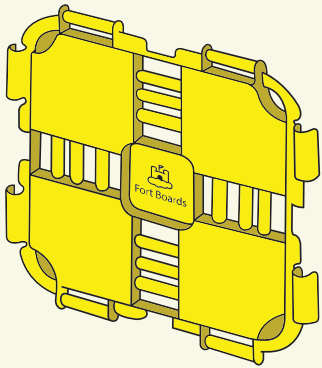
Fort Boards®

Hi, I'm Fort Bot!
I'll teach you
how to make
straight
connections!
You'll just need
one Fort
Boards Starter
Pack.



Challenge Level: Easy

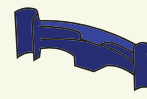
Parts Overview



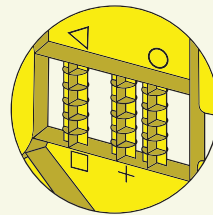
Board (back)



Connector (top)



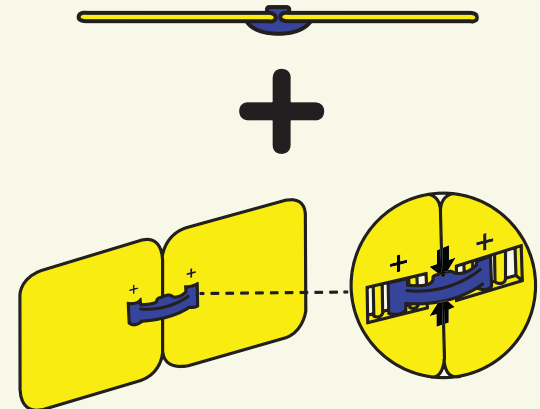
Connector (bottom)

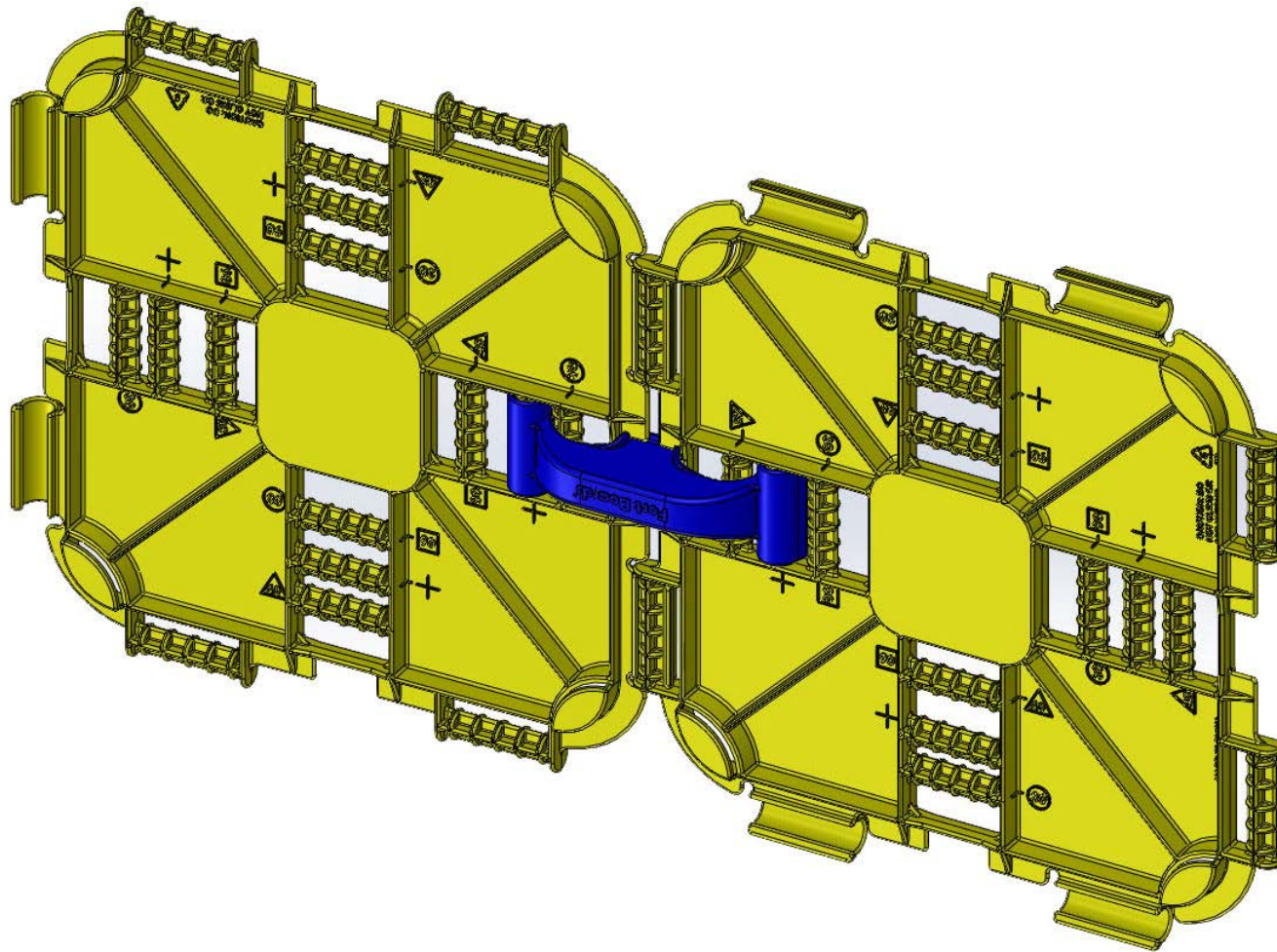


Board (detail)

Symbols on back
of Board show
where to attach
Connector.

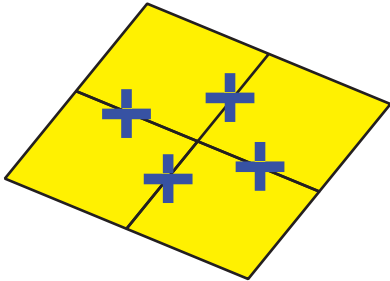
180° Connection



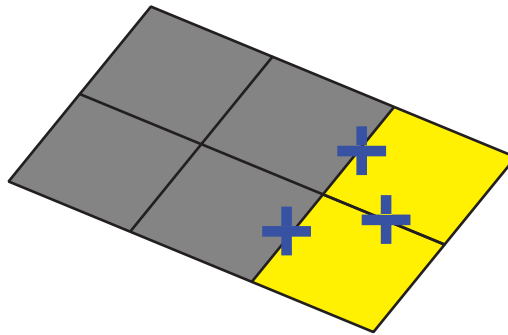


After attaching two Boards together (shown in yellow), attach a Connector (shown in blue) next to the plus symbols which can be seen on the back of the Boards. Then squeeze the center of the Connector and push it through the middle of the two Boards.

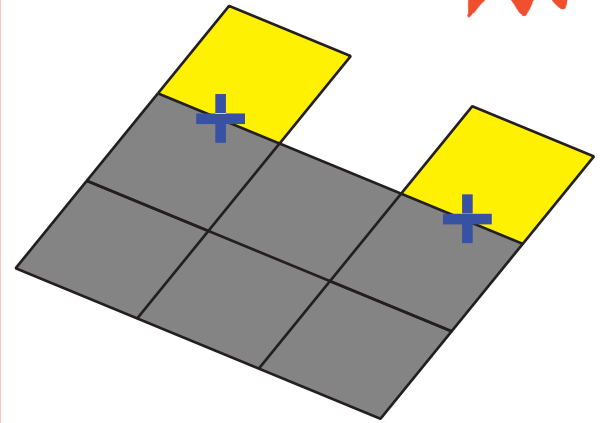
1



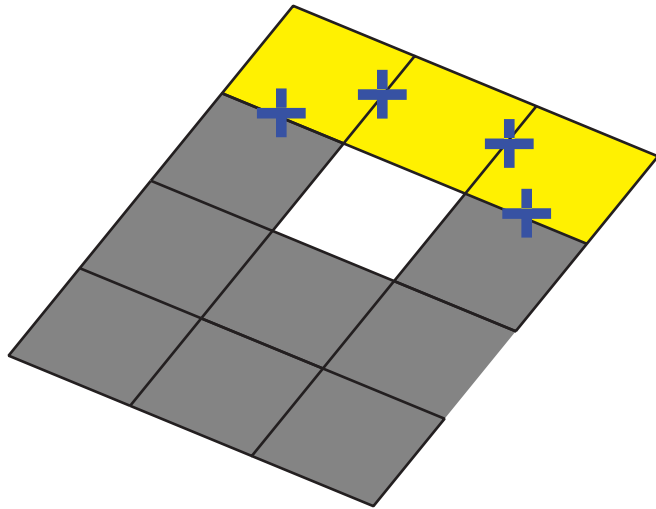
2



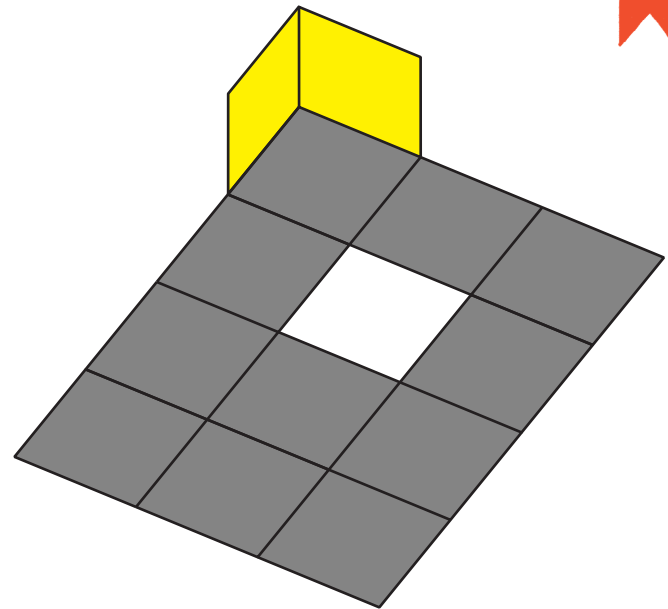
3



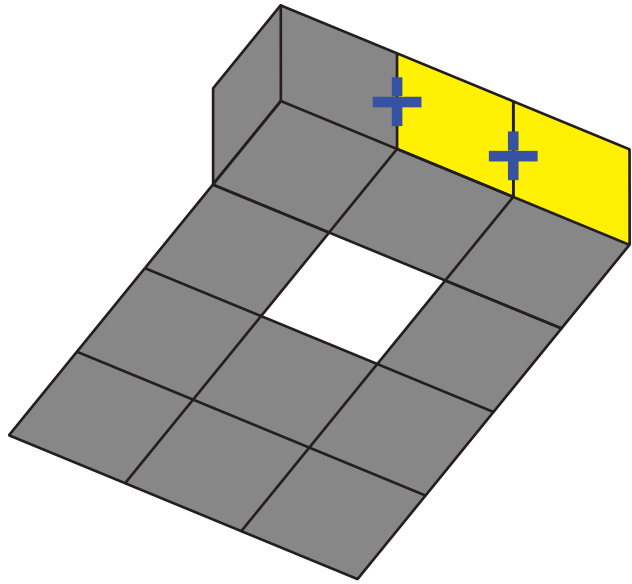
4



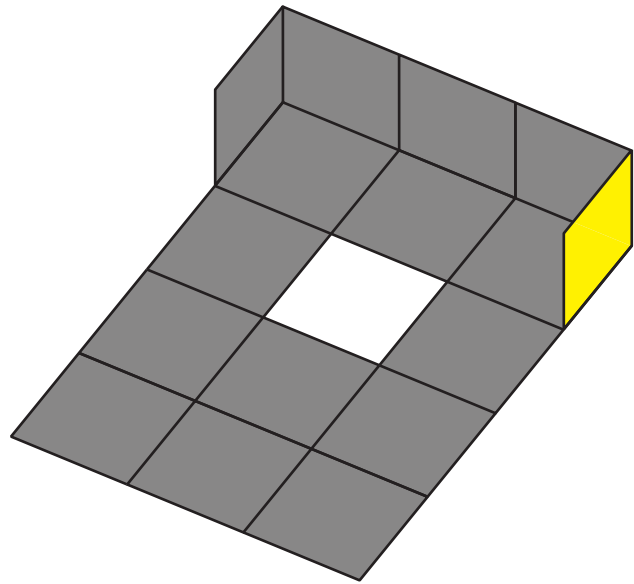
5



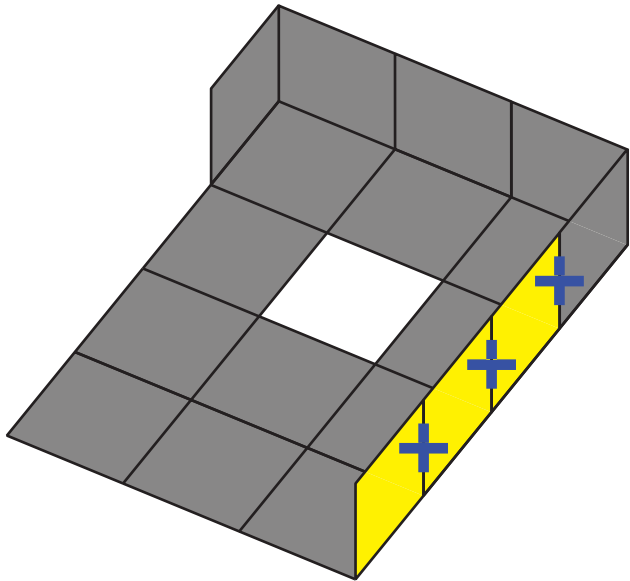
6



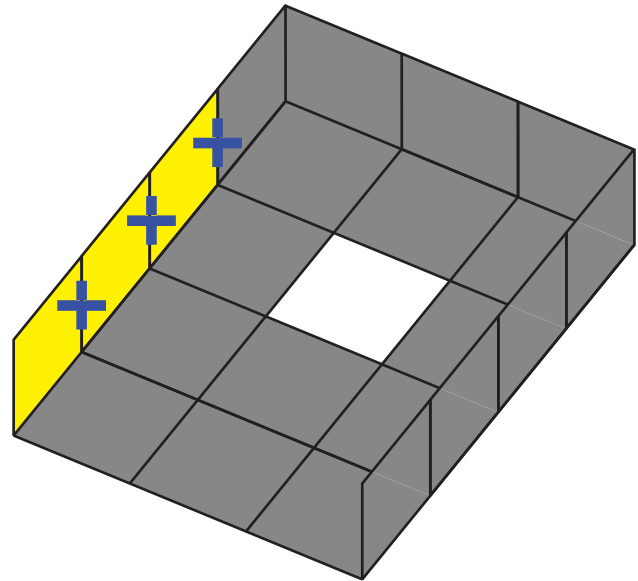
7

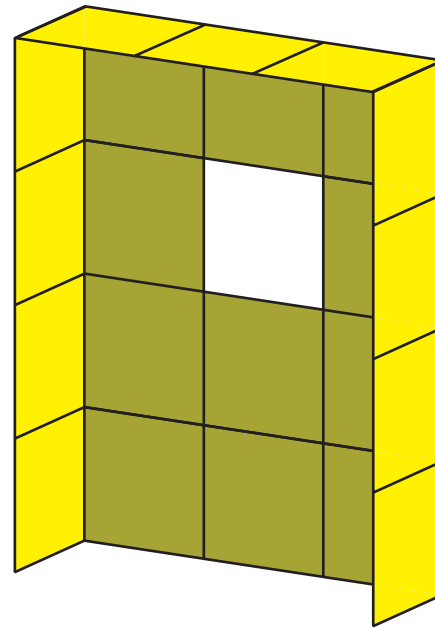


8



9





Now you have one final test before becoming a straight connection black belt. Stand up your fort! Ok, I guess that wasn't much of a test... here's your belt.

Are you a fort building genius? Tag your fort pictures with **#FortBoards**

