

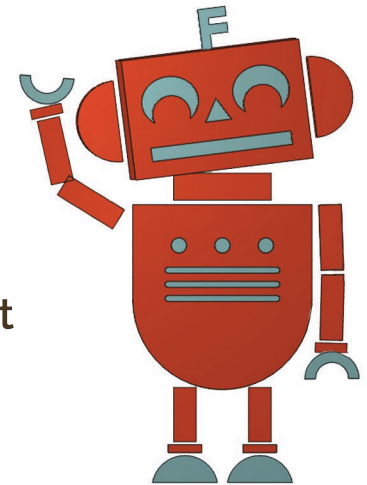


SUBMARINE BUILDING BASICS



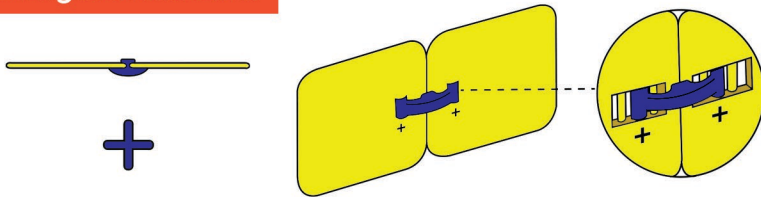
Fort Boards®
— *imagination builder* —

Hi, I'm **Fort Bot!** I'll help you build a submarine today! You'll need one Fort Boards Custom Fort Builder pack.

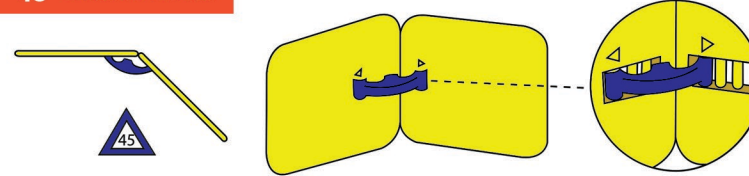


Challenge Level: Difficult

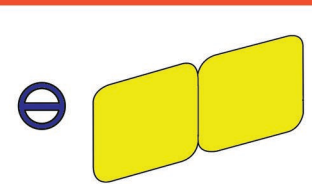
Straight Connection



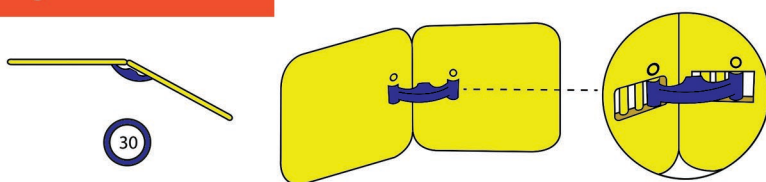
45° Connection



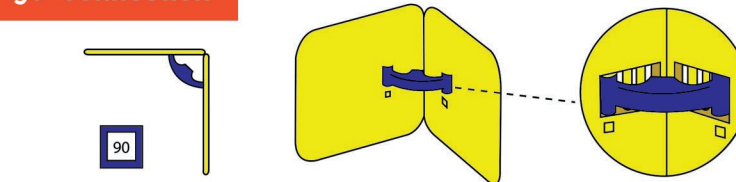
No Connector



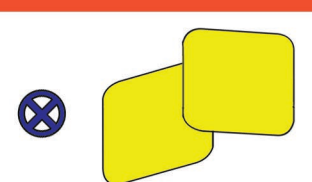
30° Connection



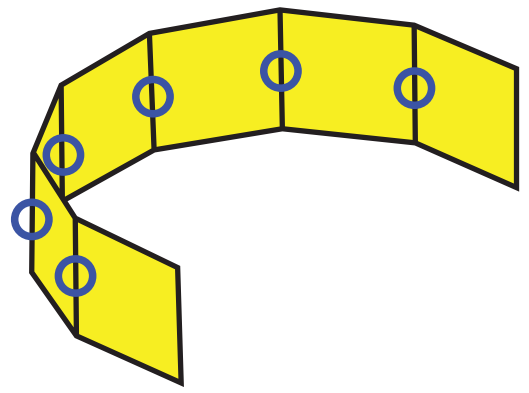
90° Connection



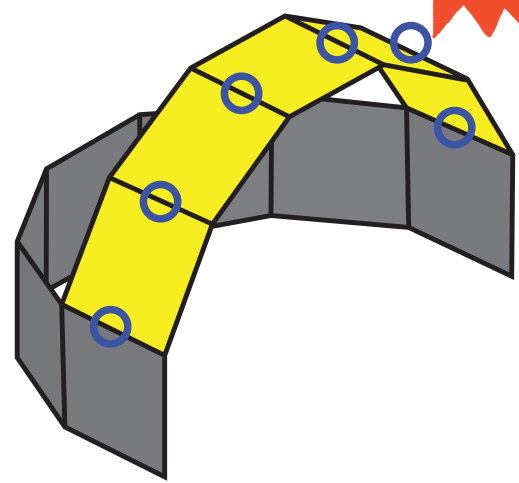
Not Attached



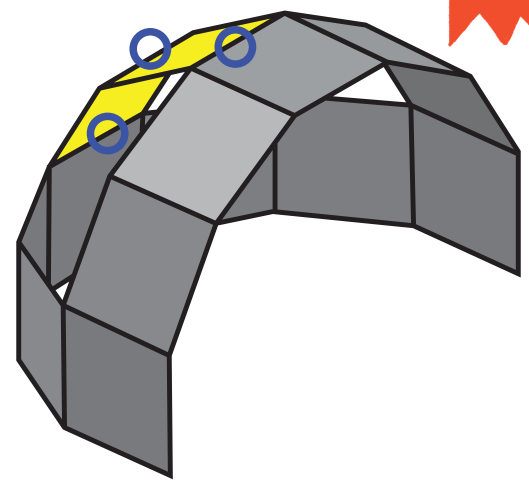
1



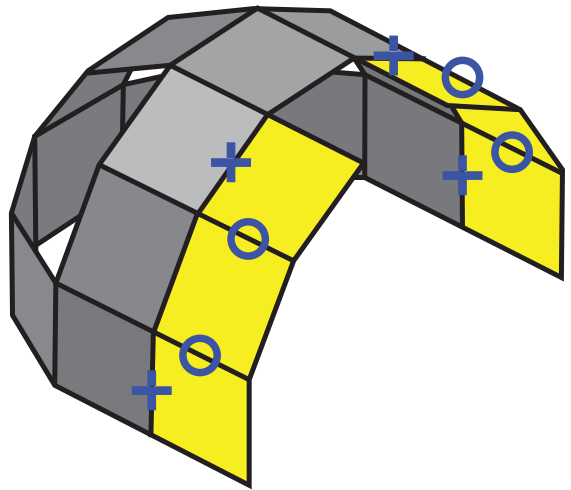
2



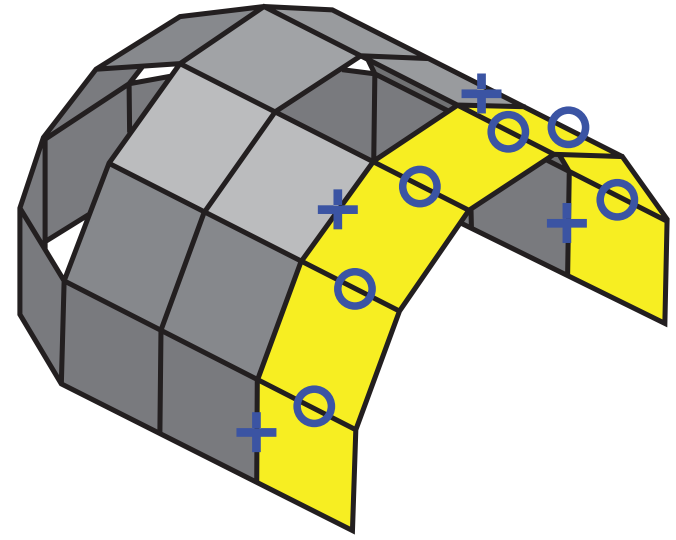
3



4

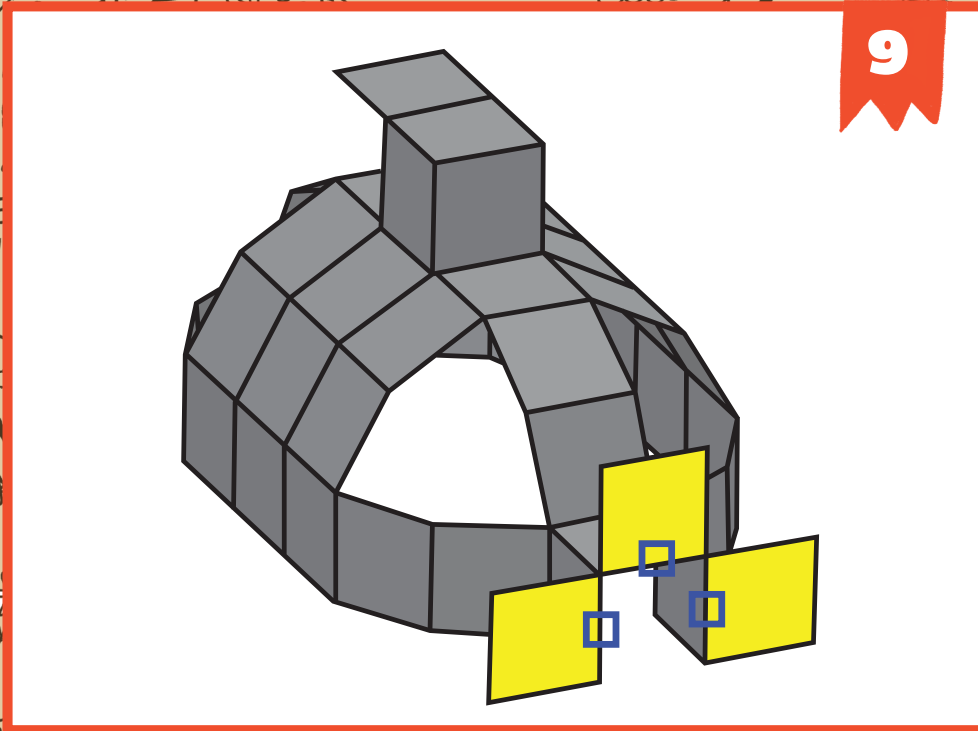
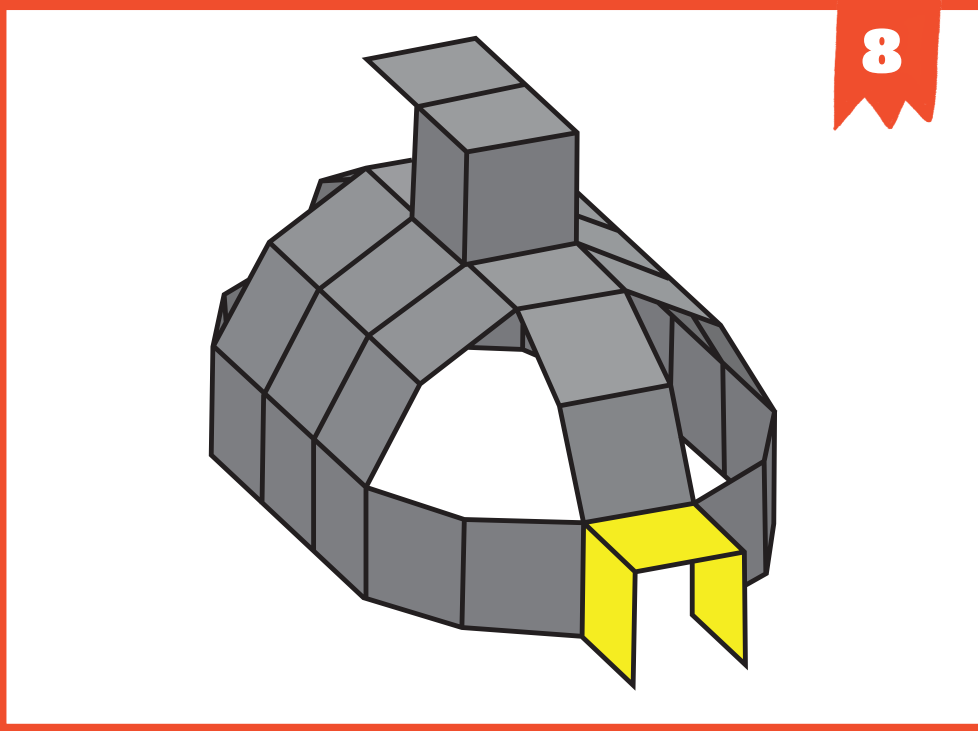
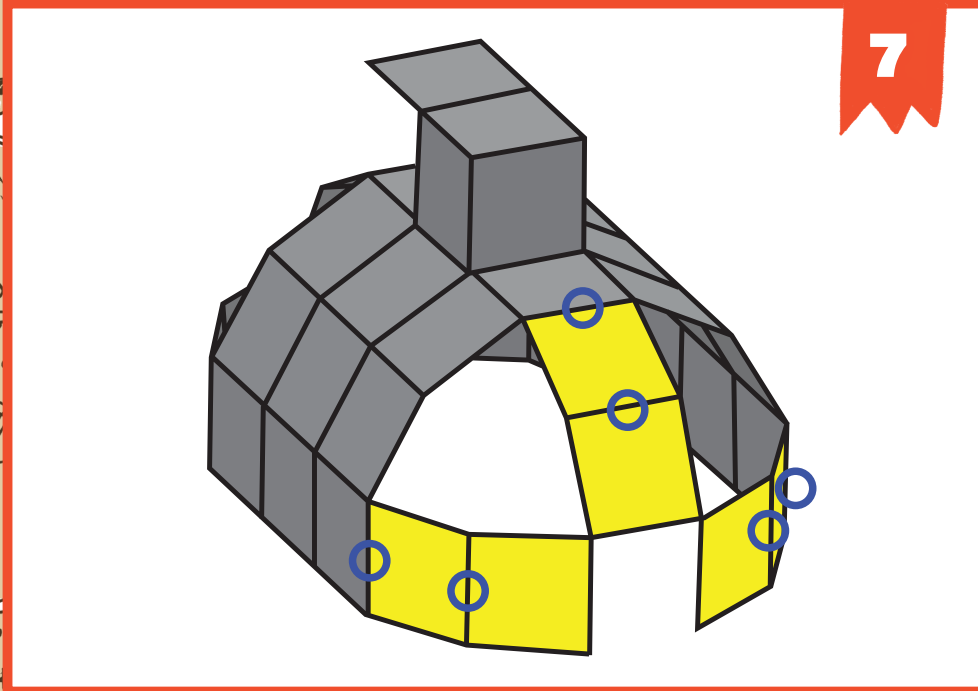
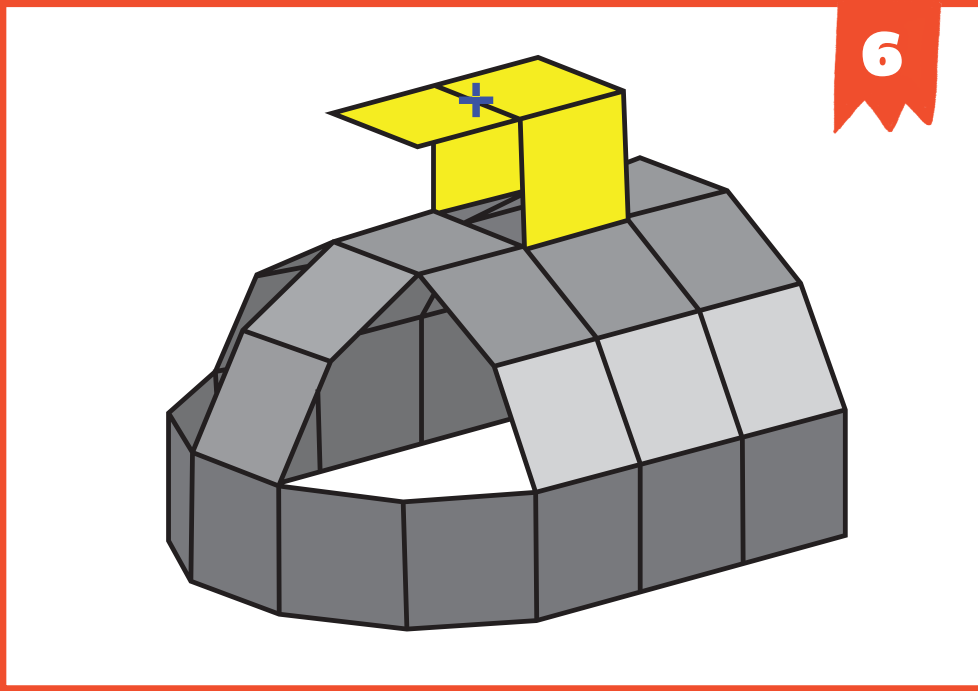


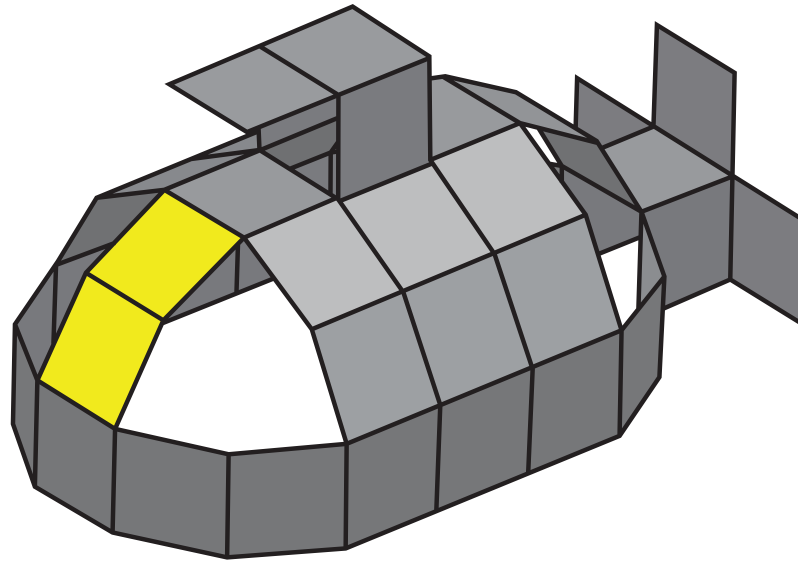
5



BUILD!

FORTS!





#FortFun

Cannonball! ... I believe that's the suggested entry method into a submarine...right?

No? I'm not right? Ok, then forget what I just said.

Carefully take off the connectors on the boards that are shown in yellow above, and crawl in.

Now re-secure that hatch and enjoy your underwater adventure!

