

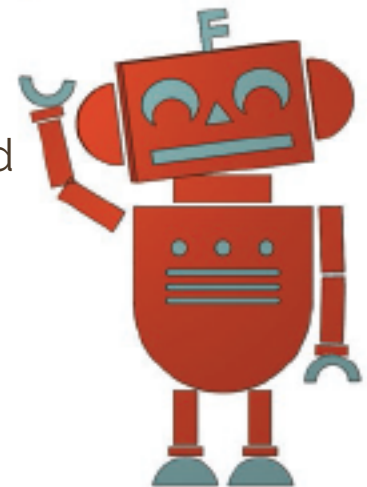


## MOON BASE BUILDING BASICS



**Fort Boards®**  
— *imagination builder* —

**Hi I'm Fort-Bot!** I'll help you build a moon base today! You'll need three Fort Boards Prime Packs.

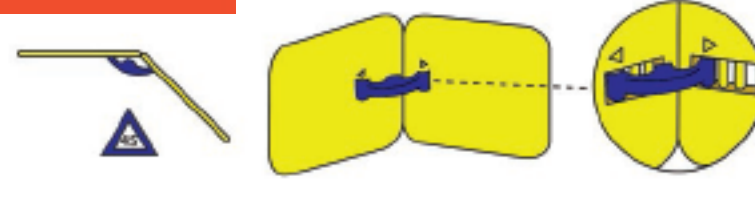


**Challenge Level:** Difficult

**Straight Connection**



**45° Connection**



**No Connector**



**30° Connection**



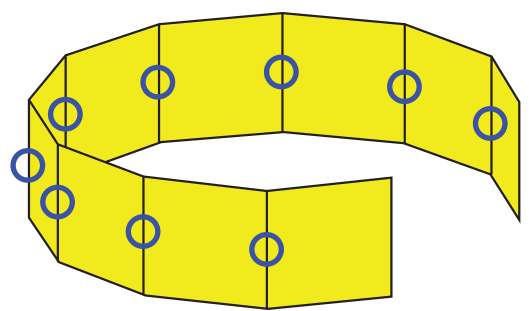
**90° Connection**



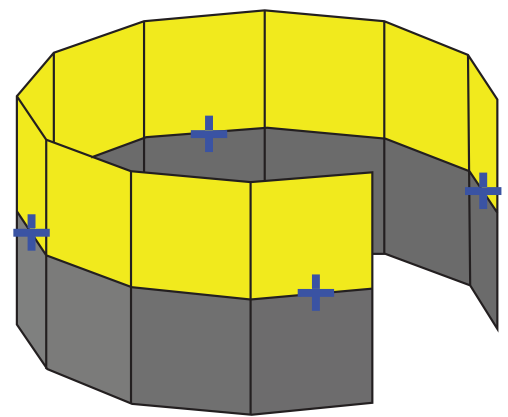
**Not Attached**



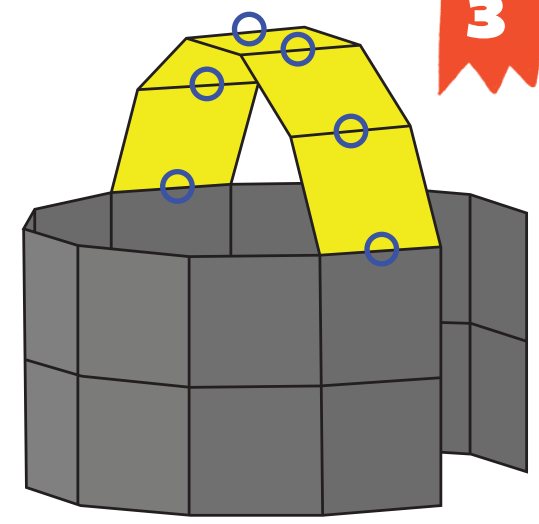
1



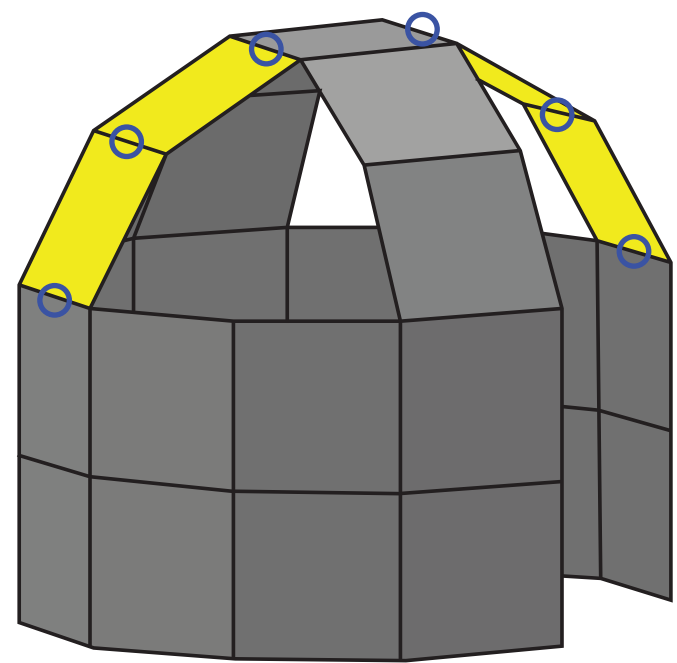
2



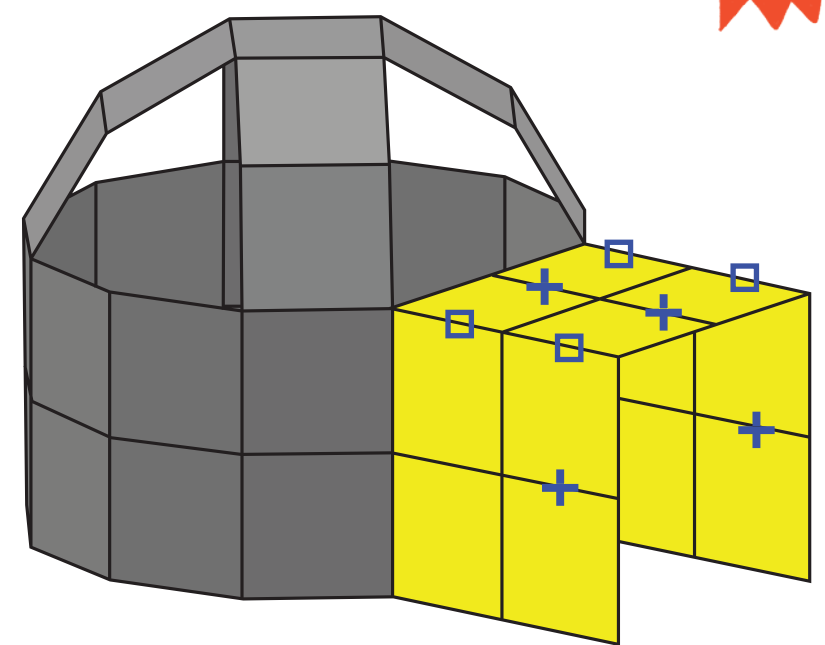
3



4



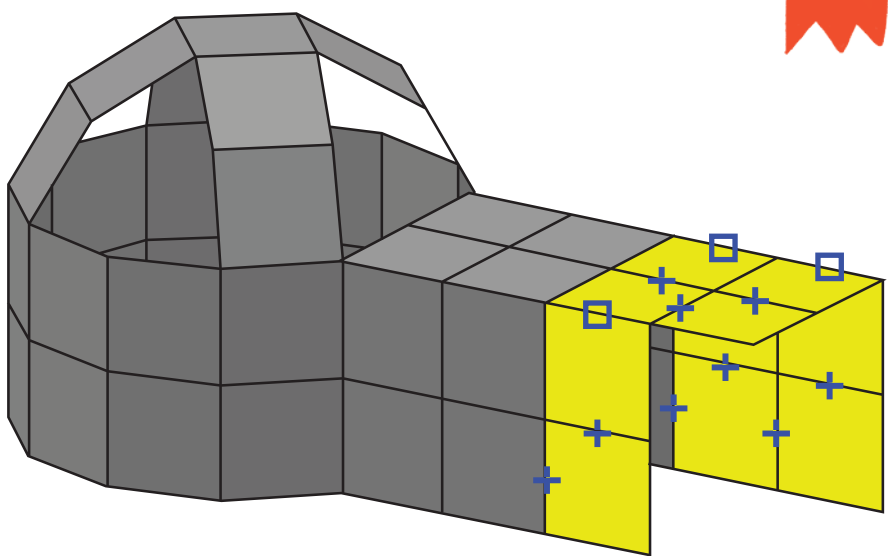
5



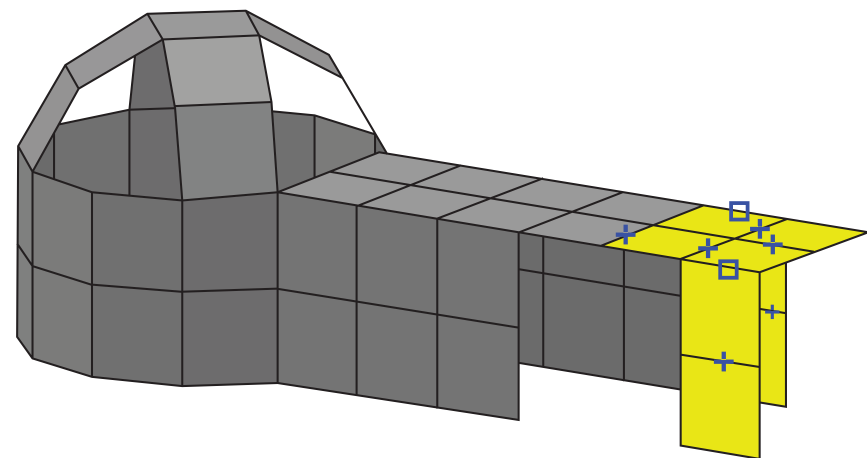
BUILD!

FORTS!

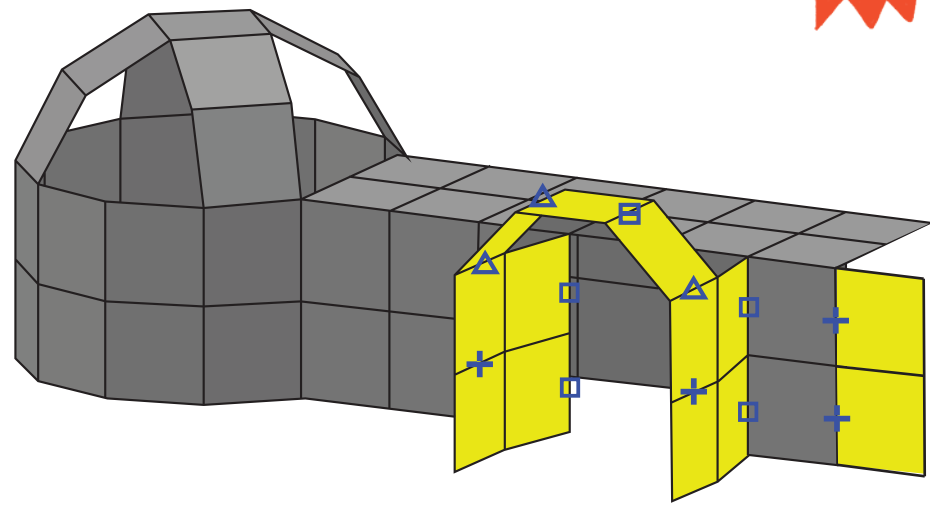
6



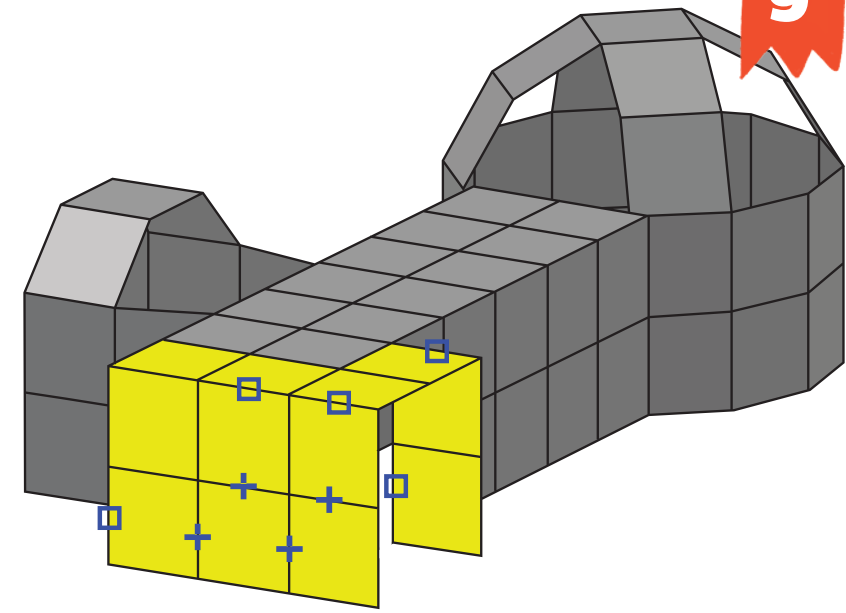
7



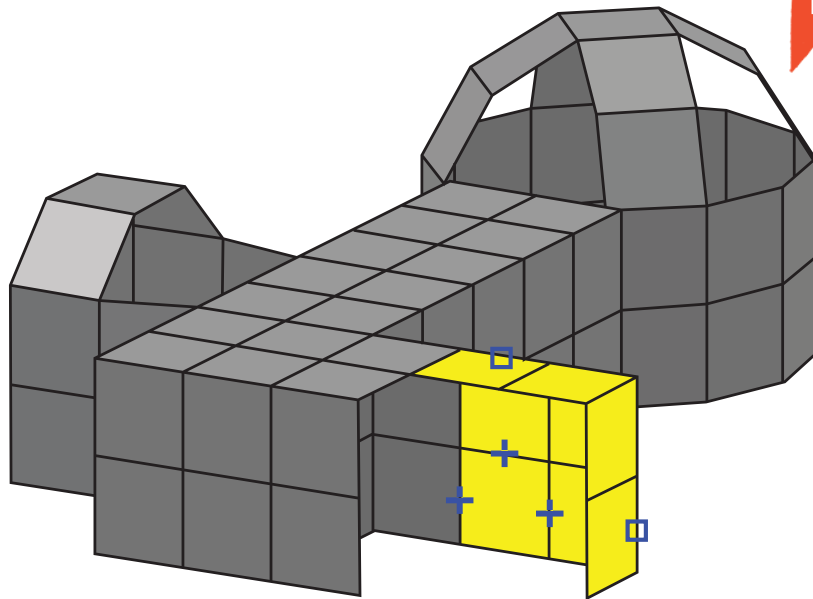
8



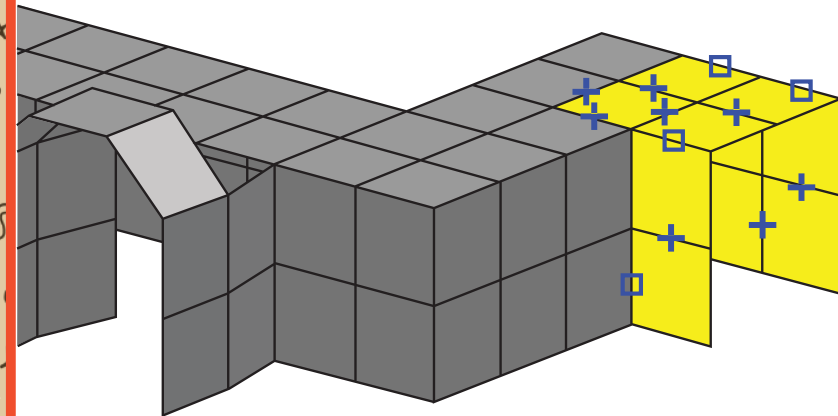
9



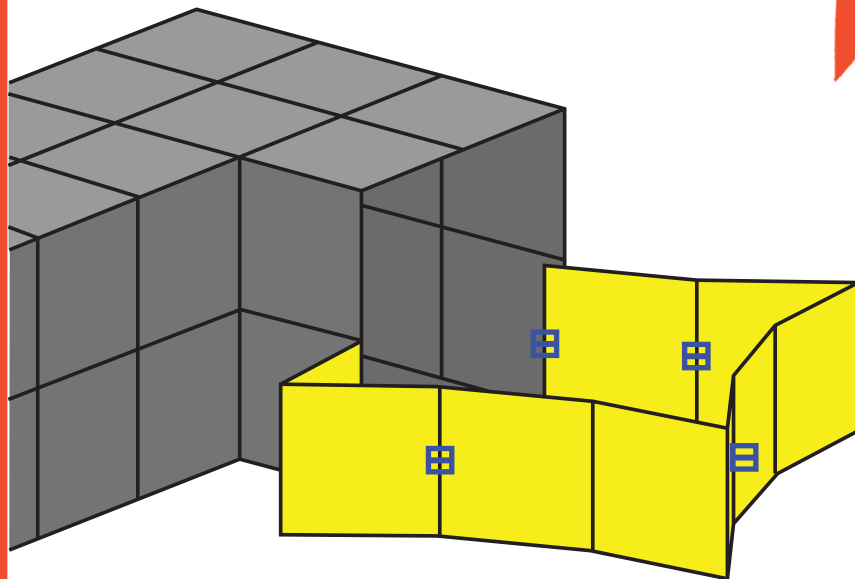
10



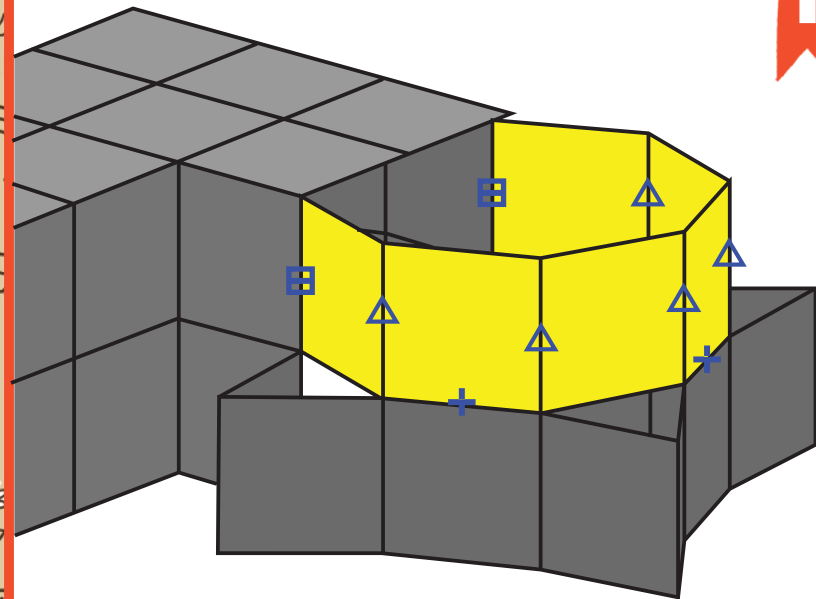
11



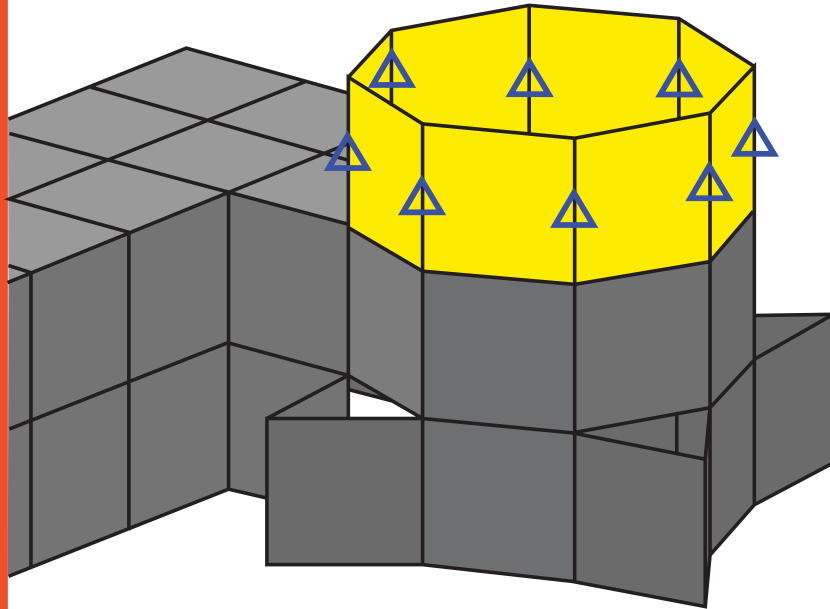
12



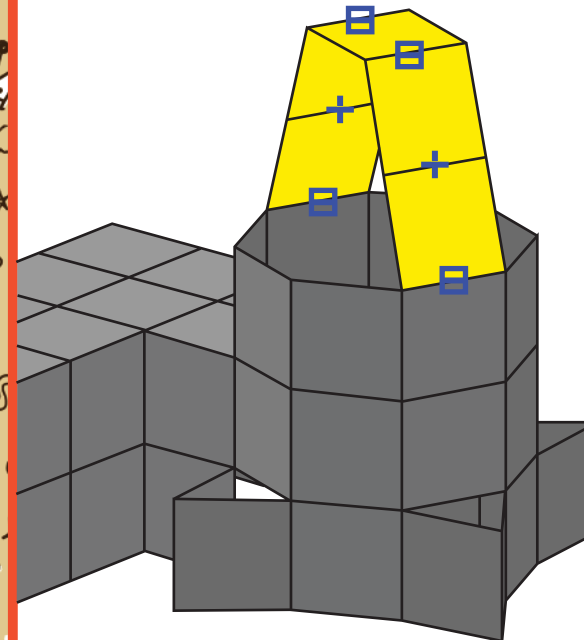
13



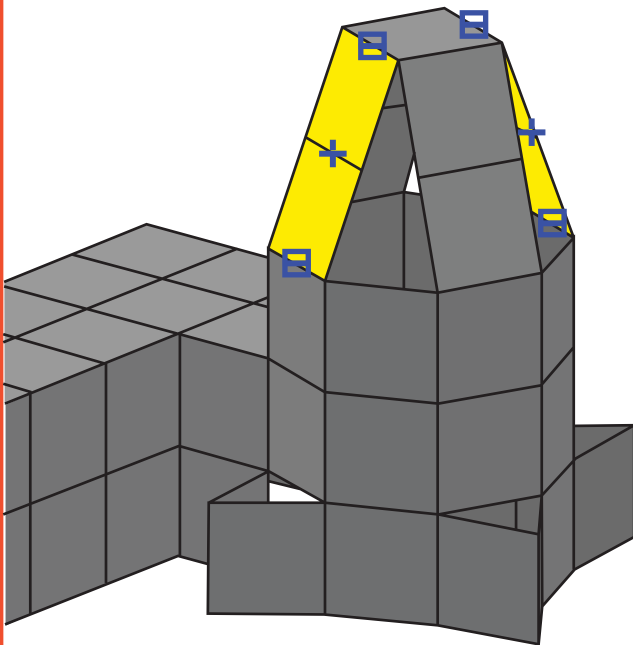
14



15



16



Make sure to seal up your spacesuit before stepping outside of your moon base and taking your first giant steps!

Can you make a better moon base than Fort-Bot? Send your best moon base photos to [info@BoldlyPlayed.com](mailto:info@BoldlyPlayed.com) or share on social media with the hashtag #FortFun.

